

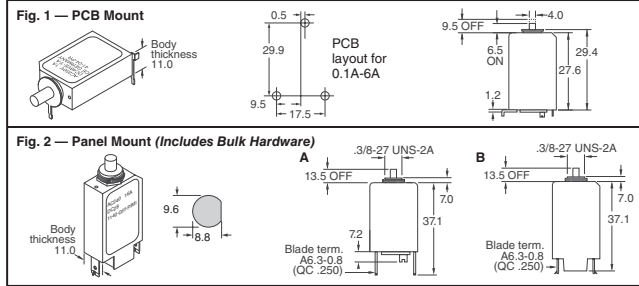
**E-T-A** Thermal Circuit Breakers  
Circuit Protection & Control

**104, 106 and 1140 Series**



Voltage Rating: AC 240V; DC 48V Ambient Temperature: -20°C ~ 60°C

Dimensions in mm



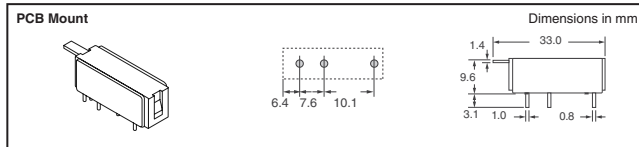
Current (A)	Digi-Key Part No.	1	10	25	50	E-T-A Part No.
<b>Fig. 1 — 104 Series - Horizontal PCB Mount - Push to Reset</b>						
0.5	302-1092-ND	13.84	12.92	12.00	11.38	104-PR-0.5A
1	302-1095-ND	13.84	12.92	12.00	11.38	104-PR-1A
1.2	302-1096-ND	13.84	12.92	12.00	11.38	104-PR-1.2A
2	302-1099-ND	13.84	12.92	12.00	11.38	104-PR-2A
3	302-1101-ND	13.84	12.92	12.00	11.38	104-PR-3A
5	302-1105-ND	13.84	12.92	12.00	11.38	104-PR-5A
7	302-1107-ND†	13.84	12.92	12.00	11.38	104-PR-7A
8	302-1108-ND†	13.84	12.92	12.00	11.38	104-PR-8A
10	302-1109-ND†	13.84	12.92	12.00	11.38	104-PR-10A
<b>Fig. 2A — 106 Series - Panel Mount - Push to Reset</b>						
0.1	302-1000-ND	13.84	12.92	12.00	11.38	106-M2-P10-0.1A
0.2	302-1001-ND	13.84	12.92	12.00	11.38	106-M2-P10-0.2A
0.3	302-1002-ND	13.84	12.92	12.00	11.38	106-M2-P10-0.3A
0.4	302-1003-ND	13.84	12.92	12.00	11.38	106-M2-P10-0.4A
0.5	302-1004-ND	13.84	12.92	12.00	11.38	106-M2-P10-0.5A
0.8	302-1006-ND	13.84	12.92	12.00	11.38	106-M2-P10-0.8A
1	302-1007-ND	13.84	12.92	12.00	11.38	106-M2-P10-1A
1.5	302-1009-ND	13.84	12.92	12.00	11.38	106-M2-P10-1.5A
1.8	302-1010-ND	13.84	12.92	12.00	11.38	106-M2-P10-1.8A
2	302-1011-ND	13.84	12.92	12.00	11.38	106-M2-P10-2A
2.5	302-1012-ND	13.84	12.92	12.00	11.38	106-M2-P10-2.5A
3	302-1013-ND	13.84	12.92	12.00	11.38	106-M2-P10-3A
5	302-1309-ND	13.84	12.92	12.00	11.38	106-M2-P10-5A
10	302-1310-ND	13.84	12.92	12.00	11.38	106-M2-P10-10A
<b>Fig. 2B — 1140 Series - Panel Mount - Push to Reset</b>						
10	302-1020-ND	13.84	12.92	12.00	11.38	1140-G111-P1M1-10A
12	302-1021-ND	13.84	12.92	12.00	11.38	1140-G111-P1M1-12A
15	302-1023-ND	13.84	12.92	12.00	11.38	1140-G111-P1M1-15A

† Requires different PCB layout

**PC Board Mount 1410-L2 Series**



Voltage rating: AC 250V; DC 50V Ambient temperature: -20°C ~ 100°C

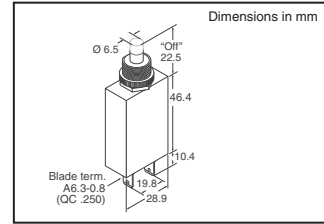


Current (A)	Digi-Key Part No.	1	10	25	50	E-T-A Part No.
<b>Thermal Breaker - PCB Mount - Press to Reset</b>						
0.63	302-1025-ND	9.50	8.87	8.23	7.81	1410-L210-L2F1-S02-0.63A
1	302-1027-ND	9.50	8.87	8.23	7.81	1410-L210-L2F1-S02-1A
1.25	302-1028-ND	9.50	8.87	8.23	7.81	1410-L210-L2F1-S02-1.25A
1.5	302-1029-ND	9.50	8.87	8.23	7.81	1410-L210-L2F1-S02-1.5A
2	302-1032-ND	9.50	8.87	8.23	7.81	1410-L210-L2F1-S02-2A
2.5	302-1033-ND	9.50	8.87	8.23	7.81	1410-L210-L2F1-S02-2.5A
3.15	302-1034-ND	9.50	8.87	8.23	7.81	1410-L210-L2F1-S02-3.15A
4	302-1035-ND	9.50	8.87	8.23	7.81	1410-L210-L2F1-S02-4A
4.5	302-1036-ND	9.50	8.87	8.23	7.81	1410-L210-L2F1-S02-4.5A
5	302-1037-ND	9.50	8.87	8.23	7.81	1410-L210-L2F1-S02-5A
6.3	302-1038-ND	9.50	8.87	8.23	7.81	1410-L210-L2F1-S02-6.3A
8	302-1039-ND	9.50	8.87	8.23	7.81	1410-L210-L2F1-S02-8A
10	302-1031-ND	9.50	8.87	8.23	7.81	1410-L210-L2F1-S02-10A

**Push-Push Switch/Thermal Circuit Breakers - 2-5700 Series**



Voltage Rating: 250VAC, 50VDC  
Ambient Temperature: -20°C ~ 60°C

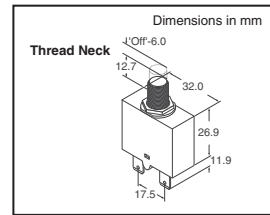


Current (A)	Digi-Key Part No.	1	10	25	50	E-T-A Part No.
1	302-1293-ND	18.88	17.62	16.37	15.53	2-5700-IG1-P10-DD-1A
2	302-1294-ND	18.88	17.62	16.37	15.53	2-5700-IG1-P10-DD-2A
5	302-1297-ND	18.88	17.62	16.37	15.53	2-5700-IG1-P10-DD-5A
10	302-1299-ND	18.88	17.62	16.37	15.53	2-5700-IG1-P10-DD-10A
15	302-1300-ND	18.88	17.62	16.37	15.53	2-5700-IG1-P10-DD-15A
20	302-1301-ND	18.88	17.62	16.37	15.53	2-5700-IG1-P10-DD-20A
25	302-1302-ND	18.88	17.62	16.37	15.53	2-5700-IG1-P10-DD-25A

**Thermal Circuit Breakers - 1658 Series**



Manual reset, cycling trip free mechanism. Voltage Rating: 240VAC, 28VDC (2HP motor rating) Terminals: Q.C. .250" blade Ambient Temperature: -20°C ~ 60°C, <= 7A -20°C ~ 40°C

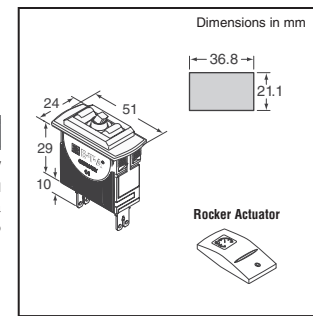


Current (A)	Digi-Key Part No.	1	10	25	50	E-T-A Part No.
<b>3/8" - 27 Thread Neck with PAL Nut - Push to Reset</b>						
5	302-1257-ND	3.31	2.55	2.40	2.25	1658-G21-01-P10-5A
10	302-1261-ND	3.31	2.55	2.40	2.25	1658-G21-01-P10-10A
15	302-1264-ND	3.31	2.55	2.40	2.25	1658-G21-01-P10-15A
20	302-1266-ND	3.47	2.67	2.52	2.36	1658-G21-01-P10-20A
25	302-1267-ND	3.47	2.67	2.52	2.36	1658-G21-01-P10-25A
30	302-1268-ND	3.92	3.01	2.84	2.67	1658-G21-01-P10-30A
35	302-1269-ND	3.92	3.01	2.84	2.67	1658-G21-01-P10-35A

**Single Pole Thermal Circuit Breaker/ Switches - 3131 Series**



Combination of single pole circuit breaker and On/Off switch with soft-touch rocker actuation. Contoured rockers are sold separately and are available with a choice of colors and legends. The 3131 is sealed to provide IP66 rated water splash protection.



Voltage Ratings: AC 240V; DC 28V

Terminals: Q.C. .250" blade

Current (A)	Digi-Key Part No.	1	10	25	50	E-T-A Part No.
<b>On/Off Latching Function — Switch/Circuit Breakers</b>						
1	302-1344-ND	20.57	19.20	17.83	16.91	3131-AF1PT-000000-000-1A
5	302-1347-ND	16.45	15.36	14.26	13.53	3131-AF1PT-000000-000-5A
10	302-1342-ND	16.45	15.36	14.26	13.53	3131-AF1PT-000000-000-10A
15	302-1343-ND	16.45	15.36	14.26	13.53	3131-AF1PT-000000-000-15A
20	302-1345-ND	16.45	15.36	14.26	13.53	3131-AF1PT-000000-000-20A

**Rocker Actuator - X3131 Series**

Description	Digi-Key Part No.	1	10	25	50	E-T-A Part No.
Black Rocker, No Legend	302-1350-ND	2.21	2.06	1.92	1.82	X3131-WB0000

More Product Available Online: [www.digkey.com](http://www.digkey.com)

Toll-Free: 1-800-344-4539 • Phone 218-681-6674 • Fax: 218-681-3380

(US2011) 2233