

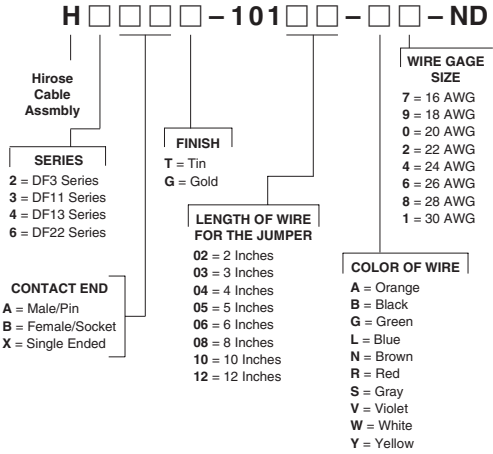
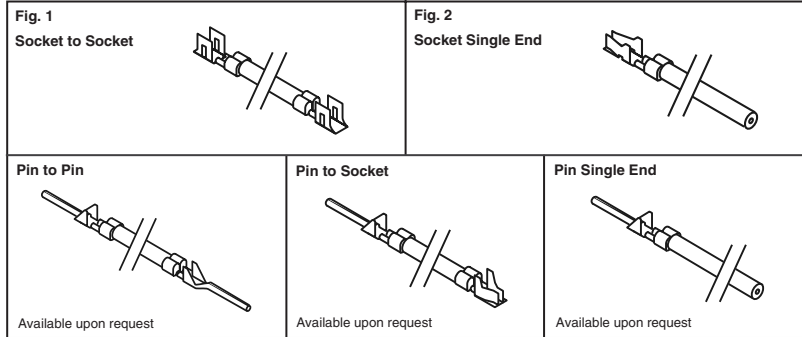


**DF3, DF11, DF13, DF22 Interconnect Wire (housing available)**

**CONTACT SPECIFICATIONS:** • Rated Current: DF3: 24AWG: 3A, 26 AWG: 2A, 28AWG: 1A DF11: 24-26 AWG: 2A, 28 AWG: 1A • Operating Temperature: -30°C ~ 85°C • Rated Voltage: AC250V • Insulation Resistance: 1000 MΩ or more • Contact Resistance: 30 mΩ or less • Insertion / Withdrawals Force: Minimum 0.3 N (30gf), Maximum 4.4 N (450gf) • Material (crimp terminal for socket): Phosphor bronze with tin or gold plating

**Safety Standards:** UL: E52653 and CSA: LR95109

**WIRE SPECIFICATIONS:** • Stranded tinned copper conductor • Color coded PVC insulation • Flammability: Passes UL VW-1 flame test • Wire is ordered per EIA-359-A color specifications which allows for some variation in shade • Operating Temperature: -40°C ~ 90°C (CSA TR-64), -40°C ~ 80°C (UL AWM 1007)



\* For □ in Digi-Key Part No. choose letter which represents color of your choice: A = Orange B = Black G = Green L = Blue N = Brown R = Red S = Gray V = Violet W = White Y = Yellow

Fig.	Cable Length (inches)	Digi-Key Part No.	Price Each			
			10	100	250	
<b>DF3 - TIN PLATED CONTACTS</b>						
<b>24 AWG WIRE</b>						
1 (Socket to Socket)	2	H2BBT-10102-□4-ND◆	.65	.48	.41	
	3	H2BBT-10103-□4-ND◆	.66	.49	.42	
	4	H2BBT-10104-□4-ND◆	.67	.49	.43	
	5	H2BBT-10105-□4-ND◆	.68	.50	.43	
	6	H2BBT-10106-□4-ND◆	.69	.51	.44	
	8	H2BBT-10108-□4-ND◆	.71	.52	.45	
2 (Socket Single End)	10	H2BBT-10110-□4-ND◆	.73	.54	.46	
	12	H2BBT-10112-□4-ND◆	.75	.55	.48	
	2	H2BXT-10102-□4-ND◆	.58	.43	.37	
	3	H2BXT-10103-□4-ND◆	.59	.44	.38	
	4	H2BXT-10104-□4-ND◆	.60	.44	.38	
	5	H2BXT-10105-□4-ND◆	.61	.45	.39	
1 (Socket to Socket)	6	H2BXT-10106-□4-ND◆	.62	.46	.40	
	8	H2BXT-10108-□4-ND◆	.64	.47	.41	
	10	H2BXT-10110-□4-ND◆	.66	.49	.42	
	12	H2BXT-10112-□4-ND◆	.68	.50	.43	
	<b>26 AWG WIRE</b>					
	1 (Socket to Socket)	2	H2BBT-10102-□6-ND◆	.65	.48	.41
3		H2BBT-10103-□6-ND◆	.66	.49	.42	
4		H2BBT-10104-□6-ND◆	.67	.50	.43	
5		H2BBT-10105-□6-ND◆	.68	.50	.44	
6		H2BBT-10106-□6-ND◆	.69	.51	.44	
8		H2BBT-10108-□6-ND◆	.71	.53	.46	
2 (Socket Single End)	10	H2BBT-10110-□6-ND◆	.74	.54	.47	
	12	H2BBT-10112-□6-ND◆	.76	.56	.48	
	2	H2BXT-10102-□6-ND◆	.58	.43	.37	
	3	H2BXT-10103-□6-ND◆	.59	.44	.38	
	4	H2BXT-10104-□6-ND◆	.60	.44	.38	
	5	H2BXT-10105-□6-ND◆	.61	.45	.39	
1 (Socket to Socket)	6	H2BXT-10106-□6-ND◆	.62	.46	.40	
	8	H2BXT-10108-□6-ND◆	.65	.48	.41	
	10	H2BXT-10110-□6-ND◆	.67	.49	.43	
	12	H2BXT-10112-□6-ND◆	.69	.51	.44	
	<b>28 AWG WIRE — RoHS Compliant</b>					
	1 (Socket to Socket)	2	H2BBT-10102-□8-ND	.65	.48	.41
3		H2BBT-10103-□8-ND	.66	.49	.42	
4		H2BBT-10104-□8-ND	.67	.49	.43	
5		H2BBT-10105-□8-ND	.68	.50	.43	
6		H2BBT-10106-□8-ND	.69	.51	.44	
8		H2BBT-10108-□8-ND	.71	.52	.45	
2 (Socket Single End)	10	H2BBT-10110-□8-ND	.73	.54	.47	
	12	H2BBT-10112-□8-ND	.75	.56	.48	

Fig.	Cable Length (inches)	Digi-Key Part No.	Price Each			
			10	100	250	
2 (Socket Single End)	2	H2BXT-10102-□8-ND	.58	.43	.37	
	3	H2BXT-10103-□8-ND	.59	.44	.38	
	4	H2BXT-10104-□8-ND	.60	.44	.38	
	5	H2BXT-10105-□8-ND	.61	.45	.39	
	6	H2BXT-10106-□8-ND	.62	.46	.40	
	8	H2BXT-10108-□8-ND	.64	.47	.41	
1 (Socket to Socket)	10	H2BXT-10110-□8-ND	.66	.49	.42	
	12	H2BXT-10112-□8-ND	.68	.51	.44	
	<b>DF3 - 15µ GOLD PLATED CONTACTS</b>					
	<b>24 AWG WIRE</b>					
	1 (Socket to Socket)	2	H2BBG-10102-□4-ND◆	.75	.55	.48
		3	H2BBG-10103-□4-ND◆	.76	.56	.48
4		H2BBG-10104-□4-ND◆	.77	.57	.49	
5		H2BBG-10105-□4-ND◆	.78	.58	.50	
6		H2BBG-10106-□4-ND◆	.79	.58	.50	
8		H2BBG-10108-□4-ND◆	.81	.60	.52	
2 (Socket Single End)	10	H2BBG-10110-□4-ND	.83	.61	.53	
	12	H2BBG-10112-□4-ND◆	.85	.63	.54	
	<b>26 AWG WIRE — RoHS Compliant</b>					
	2 (Socket Single End)	2	H2BXC-10102-□6-ND◆	.63	.47	.40
		3	H2BXC-10103-□6-ND◆	.64	.47	.41
		4	H2BXC-10104-□6-ND◆	.65	.48	.41
5		H2BXC-10105-□6-ND◆	.66	.49	.42	
6		H2BXC-10106-□6-ND◆	.67	.49	.43	
8		H2BXC-10108-□6-ND◆	.69	.51	.44	
1 (Socket to Socket)	10	H2BXC-10110-□6-ND◆	.71	.52	.45	
	12	H2BXC-10112-□6-ND◆	.73	.54	.47	
	<b>28 AWG WIRE — RoHS Compliant</b>					
	1 (Socket to Socket)	2	H2BBG-10102-□6-ND	.75	.55	.48
		3	H2BBG-10103-□6-ND	.76	.56	.49
		4	H2BBG-10104-□6-ND	.77	.57	.49
5		H2BBG-10105-□6-ND	.78	.58	.50	
6		H2BBG-10106-□6-ND	.79	.59	.51	
8		H2BBG-10108-□6-ND	.82	.60	.52	
2 (Socket Single End)	10	H2BBG-10110-□6-ND	.84	.62	.54	
	12	H2BBG-10112-□6-ND	.86	.64	.55	
	<b>26 AWG WIRE</b>					
	2 (Socket Single End)	2	H2BXC-10102-□6-ND	.63	.47	.40
		3	H2BXC-10103-□6-ND	.64	.47	.41
		4	H2BXC-10104-□6-ND	.65	.48	.41
5		H2BXC-10105-□6-ND	.66	.49	.42	
6		H2BXC-10106-□6-ND	.67	.50	.43	
8		H2BXC-10108-□6-ND	.70	.52	.45	
1 (Socket to Socket)	10	H2BXC-10110-□6-ND	.72	.53	.46	
	12	H2BXC-10112-□6-ND	.74	.55	.47	

Fig.	Cable Length (inches)	Digi-Key Part No.	Price Each			
			10	100	250	
<b>28 AWG WIRE — RoHS Compliant</b>						
1 (Socket to Socket)	2	H2BBG-10102-□8-ND	.75	.55	.48	
	3	H2BBG-10103-□8-ND	.76	.56	.49	
	4	H2BBG-10104-□8-ND	.77	.57	.49	
	5	H2BBG-10105-□8-ND	.78	.58	.50	
	6	H2BBG-10106-□8-ND	.79	.58	.51	
	8	H2BBG-10108-□8-ND	.81	.60	.52	
2 (Socket Single End)	10	H2BBG-10110-□8-ND	.83	.62	.53	
	12	H2BBG-10112-□8-ND	.85	.63	.55	
	<b>DF11 - TIN PLATED CONTACTS</b>					
	<b>24 AWG WIRE — RoHS Compliant</b>					
	1 (Socket to Socket)	2	H3BBT-10102-□4-ND	.65	.48	.42
		3	H3BBT-10103-□4-ND	.66	.49	.42
4		H3BBT-10104-□4-ND	.67	.50	.43	
5		H3BBT-10105-□4-ND	.68	.50	.44	
6		H3BBT-10106-□4-ND	.69	.51	.44	
8		H3BBT-10108-□4-ND	.71	.53	.46	
2 (Socket Single End)	10	H3BBT-10110-□4-ND	.73	.54	.47	
	12	H3BBT-10112-□4-ND	.75	.56	.48	
	<b>26 AWG WIRE</b>					
	2 (Socket Single End)	2	H3BXT-10102-□4-ND	.58	.43	.37
		3	H3BXT-10103-□4-ND	.59	.44	.38
		4	H3BXT-10104-□4-ND	.60	.44	.38
5		H3BXT-10105-□4-ND	.61	.45	.39	
6		H3BXT-10106-□4-ND	.62	.46	.40	
8		H3BXT-10108-□4-ND	.64	.47	.41	
1 (Socket to Socket)	10	H3BXT-10110-□4-ND	.66	.49	.42	
	12	H3BXT-10112-□4-ND	.68	.50	.44	
	<b>26 AWG WIRE</b>					
	1 (Socket to Socket)	2	H3BBT-10102-□6-ND◆	.65	.48	.42
		3	H3BBT-10103-□6-ND◆	.66	.49	.42
		4	H3BBT-10104-□6-ND◆	.68	.50	.43
5		H3BBT-10105-□6-ND◆	.69	.51	.44	
6		H3BBT-10106-□6-ND	.70	.52	.45	
8		H3BBT-10108-□6-ND◆	.72	.53	.46	
2 (Socket Single End)	10	H3BBT-10110-□6-ND◆	.74	.55	.47	
	12	H3BBT-10112-□6-ND◆	.76	.56	.49	

◆ RoHS Compliant

(Continued)

More Product Available Online: [www.digikey.com](http://www.digikey.com)

Toll-Free: 1-800-344-4539 • Phone 218-681-6674 • Fax: 218-681-3380

(US2011) 117