



**SSI Technologies, Inc.**

Controls Division

# Digital Fluid-Trac™ Ultrasonic Drum Level Gauge



**Description:** This drum level gauge is a cost competitive non-contact continuous liquid level drum gauge. Designed for use on 55 gallon vertical drums storing a wide variety of media such as water, waste water, motor oil, hydraulic fluid and diesel fuel. **Features:** • Fits NPT openings (2" or 3/4") • Accurate to 1 gallon with a resolution of +/- 0.5 gallon • Powered by two 9V batteries (not included)

Range	Operating Temperature	Battery Life	Digi-Key Part No.	Price Each	SSI Technologies Part No.
Up to 32"	0°C - 50°C	30 Days	734-1162-ND	90.75 81.68	DFT-100-R



## Pneumatic Automation Components

SMC Corporation is the largest manufacturer in the world of pneumatic automation components. SMC's line of fluid power and pneumatic instrumentation products include vacuum and pressure sensors, switches, gauges, electro-pneumatic regulators and digital flow switches/sensors for air, water and chemicals.

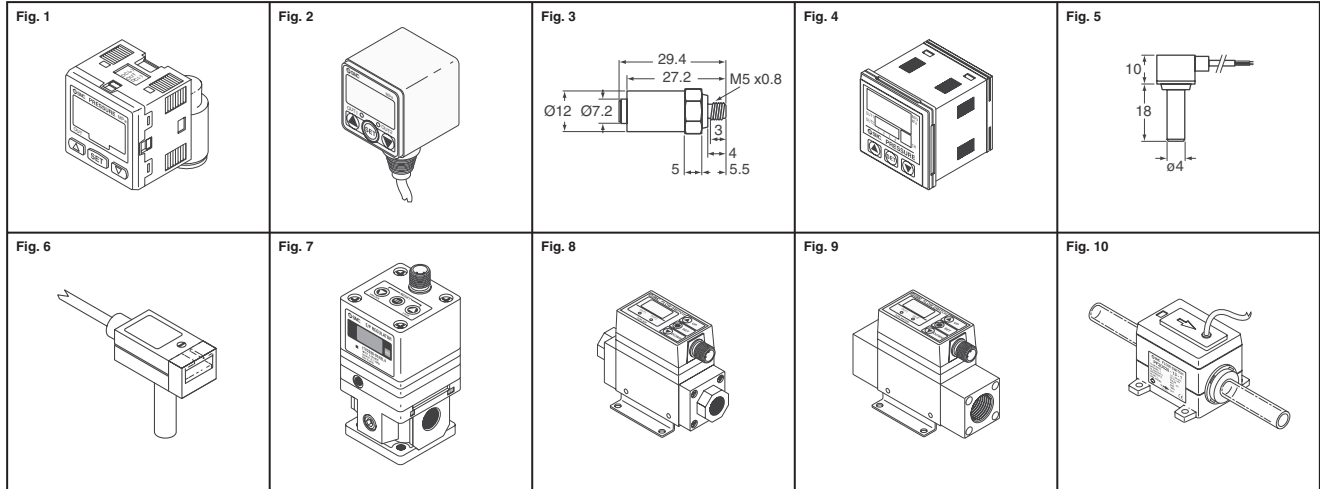


Fig.	Pressure Range	Proof Pressure	Pressure Type	Port	Supply Voltage (VDC)	Max. Supply Current (mA)	Output	Operating Temperature °C	Digi-Key Part No.	Price Each	SMC Part No.	
<b>ZSE30/ISE40 Series — 2-Color Display</b>												
1	-100 - 100kPa	500kPa	Vacuum	NPT 1/8"	12 - 24	45	PNP	0 - 50	606-1006-ND	62.76	ZSE30-T1-65	
	-100 - 100kPa	500kPa	Vacuum	NPT 1/8"	12 - 24	45	NPN	0 - 50	606-1007-ND	62.76	ZSE30-T1-25	
	0.0 - 1.0MPa	1.5MPa	Pressure	NPT 1/8"	12 - 24	45	PNP	0 - 50	606-1001-ND	62.76	ISE30-T1-65	
	0.0 - 1.0MPa	1.5MPa	Pressure	NPT 1/8"	12 - 24	45	NPN	0 - 50	606-1000-ND	62.76	ISE30-T1-25	
	-100 - 100kPa	500kPa	Vacuum	ø1/4" One Touch	12 - 24	45	PNP	0 - 50	606-1008-ND	65.41	ZSE30-N7L-65	
	-100 - 100kPa	500kPa	Vacuum	ø1/4" One Touch	12 - 24	45	NPN	0 - 50	606-1009-ND	65.41	ZSE30-N7L-25	
	0.0 - 1.0MPa	1.5MPa	Pressure	ø1/4" One Touch	12 - 24	45	PNP	0 - 50	606-1002-ND	66.70	ISE30-N7L-65	
	0.0 - 1.0MPa	1.5MPa	Pressure	ø1/4" One Touch	12 - 24	45	NPN	0 - 50	606-1003-ND	66.70	ISE30-N7L-25	
	<b>ZSE40/ISE40 Series</b>											
	2	0.0 - 101.3kPa	500kPa	Vacuum	NPT 1/8"	12 - 24	55	PNP x 2, 1 - 5V	0 - 50	606-1011-ND	79.28	ZSE40-T1-62
0.0 - 101.3kPa		500kPa	Vacuum	NPT 1/8"	12 - 24	55	NPN x 2, 1 - 5V	0 - 50	606-1010-ND	79.28	ZSE40-T1-22	
0.0 - 1.0MPa		1.5MPa	Pressure	NPT 1/8"	12 - 24	55	PNP x 2, 1 - 5V	0 - 50	606-1004-ND	79.28	ISE40-T1-62	
0.0 - 1.0MPa		1.5MPa	Pressure	NPT 1/8"	12 - 24	55	NPN x 2, 1 - 5V	0 - 50	606-1005-ND	79.28	ISE40-T1-22	
<b>PSE530 Series — Remote Type Sensor</b>												
3	0.0 - 1.0MPa	1.5MPa	Pressure	M5 x 0.8"	12 - 24	15	1 - 5V	0 - 50	606-1019-ND	44.43	PSE530-M5	
	0.0 - 101kPa	500kPa	Vacuum	M5 x 0.8"	12 - 24	15	1 - 5V	0 - 50	606-1020-ND	33.00	PSE531-M5	
<b>PSE200 Series — Multi-channel Controller</b>												
4	—	—	—	—	12 - 24	55	NPN x 5	0 - 50	606-1016-ND	105.11	PSE200	
	—	—	—	—	12 - 24	55	PNP x 5	0 - 50	606-1017-ND	105.11	PSE201	
<b>PSE540 Series — Compact, 2-Color Display, Remote Type Sensor</b>												
5	0.0 - 101kPa	500kPa	Vacuum	ø4" Plug-in Reducer	12 - 24	15	1 - 5V	0 - 50	606-1021-ND	35.32	PSE541-R04	
	-100 - 100kPa	500kPa	Pressure	ø4" Plug-in Reducer	12 - 24	15	1 - 5V	0 - 50	606-1022-ND	35.32	PSE543-R04	
<b>PS1000/PS1100 Series — Electronic Air Checker</b>												
6	-100 - 400kPa	1MPa	Vacuum	ø6" Reducer	12 - 24	40	NPN	0 - 60	606-1025-ND	35.21	PS1100-R06L	
<b>ITV2000 Series — Electro-pneumatic Regulator</b>												
7	.005 - 0.5MPa	1.0MPa	Gauge	NPT 1/4"	24	120	4-20mA	0 - 50	606-1026-ND	250.72	ITV2030-01N2L4	
	.005 - 0.5MPa	1.0MPa	Gauge	NPT 1/4"	24	120	4-20mA	0 - 50	606-1027-ND	268.99	ITV2030-04N2L4	
	.005 - 0.5MPa	1.0MPa	Gauge	NPT 1/4"	24	120	4-20mA	0 - 50	606-1028-ND	250.72	ITV2030-31N2L4	
	.005 - 0.9MPa	1.0MPa	Gauge	NPT 1/4"	24	120	4-20mA	0 - 50	606-1029-ND	250.72	ITV2050-01N2L4	
	.005 - 0.9MPa	1.0MPa	Gauge	NPT 1/4"	24	120	4-20mA	0 - 50	606-1030-ND	268.99	ITV2050-04N2L4	
	.005 - 0.9MPa	1.0MPa	Gauge	NPT 1/4"	24	120	4-20mA	0 - 50	606-1031-ND	250.72	ITV2050-31N2L4	
Mounting Bracket for ISE30/ZSE30 with Mounting Screws.....									606-1012-ND	1.52	ZS-27-B	
Panel Mount Kit for ISE30/ZSE30 with Mounting Screws.....									606-1013-ND	3.04	ZS-27-C	
Mounting Bracket for ISE40/ZSE40 with Mounting Screws.....									606-1014-ND	3.30	ZS-24-A	
Panel Mount Kit for ISE40/ZSE40.....									606-1015-ND	2.18	ZS-22-A	
Panel Mount Adapter for PSE200 Waterproof Seal, with Mounting Screws.....									606-1018-ND	7.07	ZS-26-C	
3 Meter Sensor Cable for PSE530/531.....									606-1023-ND	6.01	ZS-26-F	

Fig.	Flow Rate Liters/Minute	Pressure Type	Port	Supply Voltage (VDC)	Max. Supply Current (mA)	Output	Operating Temperature °C	Digi-Key Part No.	Price Each	SMC Part No.
<b>PF2A Series — Digital Air Flow Switch</b>										
8	5 - 50	Gauge	NPT 1/4"	12 - 24	150	NPN	0 - 50	606-1032-ND	319.18	PF2A750-N02-27
	5 - 50	Gauge	NPT 1/4"	12 - 24	150	PNP	0 - 50	606-1034-ND	319.18	PF2A750-N02-67
	50 - 500	Gauge	NPT 1/2"	12 - 24	170	NPN	0 - 50	606-1033-ND	319.18	PF2A751-N04-27
	50 - 500	Gauge	NPT 1/2"	12 - 24	170	PNP	0 - 50	606-1035-ND	319.18	PF2A751-N04-67
<b>PF2W Series — Digital Water Flow Switch</b>										
9	2 - 16	Gauge	NPT 1/2"	12 - 24	70	NPN	0 - 50	606-1036-ND	358.58	PF2W720-N04-27
	2 - 16	Gauge	NPT 1/2"	12 - 24	70	PNP	0 - 50	606-1038-ND	358.58	PF2W720-N04-67
	10 - 100	Gauge	NPT 3/4"	12 - 24	80	NPN	0 - 50	606-1037-ND	421.89	PF2W711-N06-27
	10 - 100	Gauge	NPT 3/4"	12 - 24	80	PNP	0 - 50	606-1039-ND	421.89	PF2W711-N06-67
<b>PF2D Series — Digital Deionized Water or Chemical Flow Switch</b>										
10	1.8 - 20	Gauge	1/2"	12 - 24	20	1 - 5V	0 - 50	606-1040-ND	408.48	PF2D520-13-1
	1.8 - 20	Gauge	1/2"	12 - 24	20	4-20mA	0 - 50	606-1041-ND	408.48	PF2D520-13-2

**Free shipping on orders over £50! All prices are in British pound sterling and include duties.**

uk.digikey.com — FREEPHONE: 0-800-587-0991 • 0-800-904-7786 — FREEFAX: 0-800-587-0992 • 0-800-904-7783

(UK091) 2249

**N**