

**Solid State Pressure Sensors**

For use in medical equipment, pneumatic controls, computer peripherals and pressure instrumentation, process and flow control.

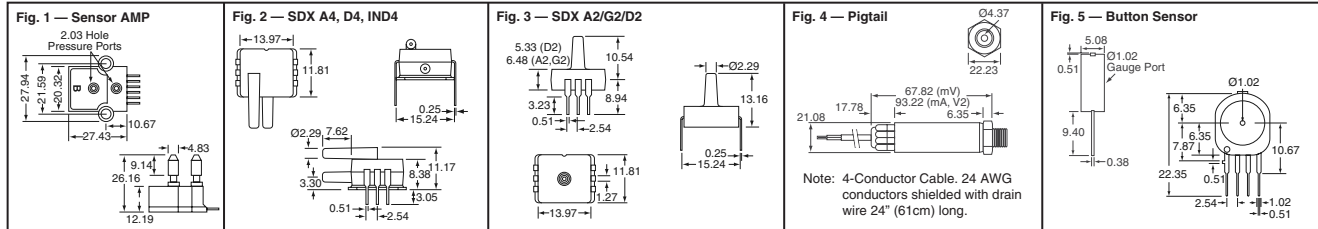


Fig.	Pressure	Pressure Type	Output	Package	Supply (VDC)	Response Time†	Operating Temperature	Digi-Key Part No.	1	25	100	Honeywell Part No.				
<b>Signal Conditioned Pressure Sensors</b>																
1	0-1 PSID	Differential/Gage	0.25 - 4.5V	SIP	4.5 - 16	100µSec	-25°C - 105°C	287-1002-ND	50.44	39.94	37.14	ASXC01DN				
	0-5 PSID	Differential/Gage	0.25 - 4.5V				-25°C - 105°C	287-1003-ND	50.44	39.94	37.14	ASXC05DN				
	0-15 PSIA	Absolute	0.25 - 4.5V				-25°C - 105°C	287-1008-ND	53.94	43.16	40.85	ASXC15AN				
	0-15 PSID	Differential/Gage	0.25 - 4.5V				-25°C - 105°C	287-1009-ND	50.44	39.94	37.14	ASXC15DN				
	0-30 PSIA	Absolute	0.25 - 4.5V				-25°C - 105°C	287-1010-ND	50.44	39.94	37.14	ASXC30AN				
	0-30 PSID	Differential/Gage	0.25 - 4.5V				-25°C - 105°C	287-1011-ND	50.44	39.94	37.14	ASXC30DN				
	0-100 PSIA	Absolute	0.25 - 4.5V				-25°C - 105°C	287-1004-ND	53.94	43.16	40.85	ASXC100AN				
	0-100 PSID	Differential/Gage	0.25 - 4.5V				-25°C - 105°C	287-1005-ND	50.44	39.94	37.14	ASXC100DN				
	0-150 PSIA	Absolute	0.25 - 4.5V				-25°C - 105°C	287-1006-ND	50.44	39.94	37.14	ASXC150AN				
	0-150 PSID	Differential/Gage	0.25 - 4.5V				-25°C - 105°C	287-1007-ND	50.44	39.94	37.14	ASXC150DN				
<b>Precision Compensated Pressure Sensors</b>																
1	0-1 PSID	Differential/Gage	0-18mV	SIP	20	100µSec	-40°C - 85°C	287-1017-ND	56.32	45.05	42.64	SCX01DN				
	0-5 PSID	Differential/Gage	0-60mV				-40°C - 85°C	287-1018-ND	47.23	37.40	35.43	SCX05DN				
	0-15 PSIA	Absolute	0-90mV				-40°C - 85°C	287-1023-ND	47.23	37.40	35.43	SCX15AN				
	0-15 PSID	Differential/Gage	0-90mV				-40°C - 85°C	287-1024-ND	47.23	37.40	35.43	SCX15DN				
	0-30 PSIA	Absolute	0-90mV				-40°C - 85°C	287-1025-ND	47.23	37.40	35.43	SCX30AN				
	0-30 PSID	Differential/Gage	0-90mV				-40°C - 85°C	287-1026-ND	51.95	41.13	38.25	SCX30DN				
	0-100 PSIA	Absolute	0-100mV				-40°C - 85°C	287-1019-ND	56.32	45.05	42.64	SCX100AN				
	0-100 PSID	Differential/Gage	0-100mV				-40°C - 85°C	287-1020-ND	56.32	45.05	42.64	SCX100DN				
	0-150 PSIA	Absolute	0-90mV				-40°C - 85°C	287-1021-ND	56.32	45.05	42.64	SCX150AN				
	0-150 PSID	Differential/Gage	0-90mV				-40°C - 85°C	287-1022-ND	56.32	45.05	42.64	SCX150DN				
0-4" H2O	WC	Ratio	0°C - 70°C	287-1027-ND	65.41	52.34	49.53	SCXL004DN								
2	0-1 PSID	Differential/Gage	0-18mV	DIP	20	100µSec	-40°C - 85°C	287-1028-ND	28.57	21.98	20.51	SDX01D4				
	0-5 PSID	Differential/Gage	0-60mV				-40°C - 85°C	287-1030-ND	28.57	21.98	20.51	SDX05D4				
	0-15 PSIA	Absolute	0-90mV				-40°C - 85°C	287-1037-ND	28.57	21.98	20.51	SDX15A4				
	0-15 PSID	Differential/Gage	0-90mV				-40°C - 85°C	287-1038-ND	28.57	21.98	20.51	SDX15D4				
	0-30 PSIA	Absolute	0-90mV				-40°C - 85°C	287-1041-ND	28.57	21.98	20.51	SDX30A4				
	0-30 PSID	Differential/Gage	0-90mV				-40°C - 85°C	287-1042-ND	28.57	21.98	20.51	SDX30D4				
	0-100 PSIA	Absolute	0-100mV				-40°C - 85°C	287-1033-ND	28.57	21.98	20.51	SDX100A4				
	0-100 PSID	Differential/Gage	0-100mV				-40°C - 85°C	287-1034-ND	28.57	21.98	20.51	SDX100D4				
	0-5" H2O	WC	0-20mV				-20°C - 85°C	287-1125-ND	52.74	41.76	38.83	SDX005IND4				
	0-10" H2O	WC	0-20mV				-20°C - 85°C	287-1126-ND	44.94	35.58	33.71	SDX010IND4				
3	0-1 PSIG	Gage	0-18mV	DIP	20	100µSec	-40°C - 85°C	287-1029-ND	30.62	23.37	22.16	SDX01G2				
	0-5 PSIG	Gage	0-60mV				-40°C - 85°C	287-1031-ND	28.57	21.98	20.51	SDX05G2				
	0-15 PSIA	Absolute	0-90mV				-40°C - 85°C	287-1036-ND	28.57	21.98	20.51	SDX15A2				
	0-15 PSIG	Gage	0-90mV				-40°C - 85°C	287-1039-ND	28.57	21.98	20.51	SDX15G2				
	0-30 PSIA	Absolute	0-90mV				-40°C - 85°C	287-1040-ND	28.57	21.98	20.51	SDX30A2				
	0-30 PSIG	Gage	0-90mV				-40°C - 85°C	287-1043-ND	28.57	21.98	20.51	SDX30G2				
	0-100 PSIA	Absolute	0-100mV				-40°C - 85°C	287-1032-ND	28.57	21.98	20.51	SDX100A2				
	0-100 PSIG	Gage	0-100mV				-40°C - 85°C	287-1035-ND	28.57	21.98	20.51	SDX100G2				
	<b>Calibrated and Temperature Compensated Steel Sensors</b>															
	4	0-5 PSIG	Gage				1-5VDC	Steel 1/4" (6.35mm) 18NPT (Male)	12 - 30	5 ms	-40°C - 125°C	287-1090-ND	158.04	130.90	121.21	SPT4V0005PG5W02
0-15 PSIG		Gage	1-5VDC	-40°C - 125°C	287-1091-ND	161.30	130.47				120.98	SPT4V0015PG5W02				
0-30 PSIG		Gage	1-5VDC	-40°C - 125°C	287-1092-ND	165.42	133.80				124.07	SPT4V0030PG5W02				
0-100 PSIG		Gage	1-5VDC	-40°C - 125°C	287-1093-ND	165.24	133.66				123.94	SPT4V0100PG5W02				
0-5 PSIG		Gage	4-20mA	-40°C - 125°C	287-1095-ND	158.44	131.23				121.51	SPT4V0500PG5W02				
0-15 PSIG		Gage	4-20mA	-40°C - 125°C	287-1096-ND	118.40	95.77				88.80	SPTMA0005PG5W02				
4	0-30 PSIG	Gage	0-100mV	Pigtail Electrical Connection	15	100µSec	-40°C - 125°C	287-1104-ND	92.22	75.95	70.52	SPTMV0030PG5W02				
	0-100 PSIG	Gage	0-100mV				-40°C - 125°C	287-1105-ND	92.22	75.95	70.52	SPTMV0100PG5W02				
	0-300 PSIG	Gage	0-100mV				-40°C - 125°C	287-1106-ND	141.61	116.62	108.29	SPTMV0300PG5W02				
	0-500 PSIG	Gage	0-100mV				-40°C - 125°C	287-1107-ND	106.24	101.64	70.48	SPTMV0500PG5W02				
<b>High-Impedance Bridge Sensors</b>																
2	0-1 PSID	Differential	0-20mV	DIP	12	100µSec	-40°C - 85°C	287-1065-ND	22.88	17.60	16.43	SX01DD4				
	0-5 PSID	Differential	0-75mV				-40°C - 85°C	287-1068-ND	19.04	14.28	13.33	SX05DD4				
	0-15 PSIA	Absolute	0-110mV				-40°C - 85°C	287-1080-ND	20.95	15.71	14.67	SX15AD4				
	0-15 PSID	Differential	0-110mV				-40°C - 85°C	287-1082-ND	20.95	15.71	14.67	SX15DD4				
	0-30 PSIA	Absolute	0-110mV				-40°C - 85°C	287-1086-ND	20.95	15.71	14.67	SX30AD4				
	0-30 PSID	Differential	0-110mV				-40°C - 85°C	287-1088-ND	20.95	15.71	14.67	SX30DD4				
	0-100 PSIA	Absolute	0-150mV				-40°C - 85°C	287-1072-ND	26.48	20.38	19.02	SX100AD4				
	0-100 PSID	Differential	0-150mV				-40°C - 85°C	287-1074-ND	22.88	17.60	16.43	SX100DD4				
3	0-1 PSIG	Gage	0-20mV	DIP	12	100µSec	-40°C - 85°C	287-1066-ND	25.04	19.26	17.98	SX01GD2				
	0-5 PSIG	Gage	0-75mV				-40°C - 85°C	287-1069-ND	25.72	19.63	18.62	SX05GD2				
	0-15 PSIA	Absolute	0-110mV				-40°C - 85°C	287-1079-ND	20.95	15.71	14.67	SX15AD2				
	0-15 PSIG	Gage	0-110mV				-40°C - 85°C	287-1083-ND	20.95	15.71	14.67	SX15GD2				
	0-30 PSIA	Absolute	0-110mV				-40°C - 85°C	287-1085-ND	19.04	14.28	13.33	SX30AD2				
	0-30 PSIG	Gage	0-110mV				-40°C - 85°C	287-1089-ND	20.95	15.71	14.67	SX30GD2				
	0-100 PSIA	Absolute	0-150mV				-40°C - 85°C	287-1071-ND	25.36	19.51	18.21	SX100AD2				
	0-100 PSIG	Gage	0-150mV				-40°C - 85°C	287-1075-ND	25.26	19.28	18.28	SX100GD2				
5	0-1 PSID	Differential	0-20mV	Button	12	100µSec	-40°C - 85°C	287-1064-ND	25.17	19.37	18.08	SX01D				
	0-5 PSID	Differential	0-75mV				-40°C - 85°C	287-1067-ND	19.04	14.28	13.33	SX05D				
	0-15 PSID	Differential	0-110mV				-40°C - 85°C	287-1081-ND	19.04	14.28	13.33	SX15D				
	0-15 PSIA	Absolute	0-110mV				-40°C - 85°C	287-1078-ND	19.04	14.28	13.33	SX15A				
	0-30 PSID	Differential	0-110mV				-40°C - 85°C	287-1087-ND	19.04	14.28	13.33	SX30D				
	0-30 PSIA	Absolute	0-110mV				-40°C - 85°C	287-1084-ND	19.04	14.28	13.33	SX30A				
	0-100 PSIA	Absolute	0-150mV				-40°C - 85°C	287-1070-ND	22.88	17.60	16.43	SX100A				
	0-100 PSID	Differential	0-150mV				-40°C - 85°C	287-1073-ND	22.88	17.60	16.43	SX100D				
	0-150 PSIA	Absolute	0-110mV				-40°C - 85°C	287-1076-ND	22.88	17.60	16.43	SX150A				
	0-150 PSID	Differential	0-110mV				-40°C - 85°C	287-1077-ND	22.88	17.60	16.43	SX150D				



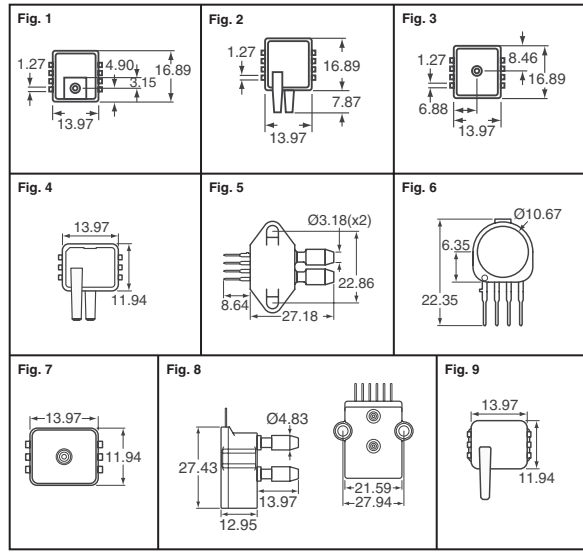
† Response time for a 0 psi to full scale span pressure step change, 10% to 90% rise time. ♦ RoHS Compliant

**Free shipping on orders over £50! All prices are in British pound sterling and include duties.**

uk.digikey.com — FREEPHONE: 0-800-587-0991 • 0-800-904-7786 — FREEFAX: 0-800-587-0992 • 0-800-904-7783

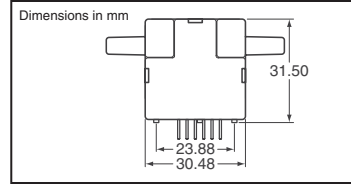
(UK091) 2243

Fig.	Pressure Range (PSI)	Pressure Type	Supply	Digi-Key Part No.	Price Each			Honeywell Part No.
					1	25	100	
<b>Pressure Sensors Calibrated and Temperature Compensated</b>								
1	0 - 1	Gage	5.25V	480-1923-ND	17.65	13.51	12.36	ASDX001G24R
	0 - 5			480-1924-ND	17.65	13.51	12.36	ASDX005G24R
	0 - 15			480-1925-ND	17.65	13.51	12.36	ASDX015G24R
	0 - 30			480-1926-ND	17.65	13.51	12.36	ASDX030G24R
	0 - 100			480-1927-ND	17.65	13.51	12.36	ASDX100G24R
2	0 - 1	Differential	5.25V	480-1918-ND	17.65	13.51	12.36	ASDX001D44R
	0 - 5			480-1919-ND	17.65	13.51	12.36	ASDX005D44R
	0 - 15			480-1920-ND	17.65	13.51	12.36	ASDX015D44R
	0 - 100			480-1922-ND	17.65	13.51	12.36	ASDX100D44R
3	0 - 15	Absolute	5.25V	480-1915-ND	17.65	13.51	12.36	ASDX015A24R
	0 - 30			480-1916-ND	17.65	13.51	12.36	ASDX030A24R
	0 - 100			480-1917-ND	17.65	13.51	12.36	ASDX100A24R
4	0 - 5	Differential	1.5mA	480-2857-ND	15.32	11.72	10.73	SCC05DD4
	0 - 15		1.5mA	480-2860-ND	15.32	11.72	10.73	SCC15DD4
	0 - 15		20Vdc	480-2868-ND	34.80	26.56	25.19	SDX15D4-A
5	0 - 5	Differential	1.5mA	480-2858-ND	17.82	13.37	12.48	SCC05DN
	0 - 100		12Vdc	480-2870-ND	25.93	19.95	18.62	SX100DN
6	0 - 15	Differential	1.5mA	480-2859-ND	15.32	11.72	10.73	SCC15D
	0 - 30		1.5mA	480-2862-ND	15.32	11.72	10.73	SCC30D
	0 - 30		12Vdc	480-2871-ND	34.85	27.32	25.44	SX7030D
	0 - 100		12Vdc	480-2872-ND	32.53	24.83	23.55	SX7100D
7	0 - 1	Gage	20Vdc	480-2864-ND	34.80	26.56	25.19	SDX01G2-A
	0 - 15	Gage	1.5mA	480-2861-ND	15.32	11.72	10.73	SCC15GD2
	0 - 15	Gage	20Vdc	480-2869-ND	34.80	26.56	25.19	SDX15G2-A
	0 - 15	Absolute	20Vdc	480-2866-ND	34.80	26.56	25.19	SDX15A2-A
	0 - 100	Gage	20Vdc	480-2865-ND	34.80	26.56	25.19	SDX100G2-A
8	0 - 15	Absolute	20Vdc	480-2863-ND	28.91	22.07	20.92	SCX15ANC
9	0 - 15	Absolute	20Vdc	480-2867-ND	34.80	26.56	25.19	SDX15A4-A



**AWM Airflow Sensors**

The AWM1000 Series mass flow sensor provides all of the outstanding performance benefits of the standard AWM2000 series in a more cost-effective sensor platform. **Features:** • Cost-effective microbridge technology • Accurate, repeatable airflow sensing • Bi-directional sensing capability  
The AWM2000 Series microbridge mass airflow sensor is a passive device comprised of two Wheatstone bridges. **Features:** • Bi-directional sensing capability • Actual mass airflow sensing • Low differential pressure sensing



Recommended Excitation	Response Time	Operating Temperature Range	Digi-Key Part No.	Price Each			Honeywell Part No.
				1	25	100	
10.000 ± 0.010 VDC	3.0 msec	-25°C - 85°C	480-2855-ND	40.29	31.90	30.22	AWM1200V
			480-2856-ND	43.47	34.42	32.61	AWM2300V

**PCB Mount Pressure Sensors**

The 24PC Series miniature pressure sensors provide reliable gage and absolute pressure sensing performance in a compact package. The low power, non-amplified, non-compensated Wheatstone bridge circuit design provides inherently stable mV outputs over 0.5 - 250 psi sensing ranges. **Features:** • 1ms response time • Supply voltage: 10.0 - 12.0 Vdc • Operating Temperature: -40°C - 85°C

The 26PC Series miniature pressure sensors provide reliable gage and differential pressure sensing performance in a compact package. The low power, non-amplified, non-compensated Wheatstone bridge circuit design provides inherently stable mV outputs over 1.0 - 250 psi sensing ranges. **Features:** • 1ms response time • Supply voltage: 10.0 - 16.0 Vdc • Operating Temperature: -40°C - 85°C



Fig.	Pressure Type	Pressure Range (PSI)	Linearity (% Span)	Digi-Key Part No.	Price Each			Honeywell Part No.
					1	25	100	
<b>24PC Series</b>								
1	Differential	0 - 1	±0.15	480-2837-ND	8.93	6.47	5.76	24PC01SMT
2	Gage	0 - 5	±0.2	480-2838-ND	11.47	8.35	7.57	24PCBFB2G
		0 - 15		480-2842-ND	11.47	8.35	7.57	24PCEFB2G
3	Gage	0 - 15	±0.2	480-2839-ND	11.47	8.35	7.57	24PCCFA2G
4	Gage	0 - 15	±0.2	480-2840-ND	11.47	8.35	7.57	24PCCFB6G
5	Absolute	0 - 15	±0.1	480-2841-ND	12.96	9.43	8.40	24PCCFD6A
		0 - 5		480-2843-ND	11.47	8.35	7.57	24PCEFD6G
6	Gage	0 - 5	±0.2	480-2844-ND	11.47	8.35	7.57	24PCEJ6G
<b>26PC Series</b>								
2	Gage	0 - 5	±0.4	480-2848-ND	15.48	11.85	10.84	26PCBFB2G
6	Gage	0 - 15	±0.25	480-2846-ND	15.48	11.85	10.84	26PCAFJ3G
				480-2852-ND	17.02	13.03	11.92	26PCCFJ6G
7	Gage	0 - 1		480-2845-ND	15.48	11.85	10.84	26PCAFD2G
8	Gage	0 - 1		480-2847-ND	15.48	11.85	10.84	26PCAFK2G
9	Gage	0 - 15		480-2849-ND	15.48	11.85	10.84	26PCCFA3G
10	Gage	0 - 15		480-2850-ND	15.48	11.85	10.84	26PCCFH6G
11	Differential	0 - 15		480-2851-ND	15.48	11.85	10.84	26PCCFJ6G
12	Gage	0 - 100	±0.4	480-2853-ND	15.48	11.85	10.84	26PCFFS2G
		0 - 250	±0.5	480-2854-ND	15.94	12.20	11.17	26PCGNM6G



**Free shipping on orders over £50! All prices are in British pound sterling and include duties.**

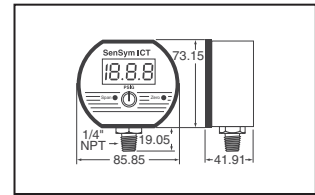
# Honeywell

Sensing and Control

## SenSym ICT Digital Pressure Gauges SDPGB Series

**Features:** • ±0.25% Test Gauge Accuracy • 316 Stainless Steel Sensor • Long Battery Life (Two AA Alkaline approximately 2,500 hours) • Rugged Design • Display: 3 1/2" digit LCD, 1/2" Digit Height • Auto Shutoff Time • Low Battery Indication • Media Compatibility: All wetted parts are 316 SS compatible with most liquids and gases

Pressure Range	Resolution PSIG	Operating Temperature	Pressure Port	Digi-Key Part No.	Price Each	Honeywell Part No.
0 - 300 PSIG	1.0	-20°C - 85°C	316 Stainless Steel	287-1933-ND	199.36	SDPGB0300PG5
0 - 1,000 PSIG	1.0	-20°C - 85°C	316 Stainless Steel	287-1935-ND	199.36	SDPGB1000PG5



## Isolated Pressure Sensors and Compensated Sensors

**Features:** • Response Time: 100 µSec, BE Series-Response Time: 10 ms (0 psi to full scale span pressure step change, 10% - 90% risetime.) • Operating Temperature: -40°C - 125°C

Pressure Range (PSI)	Pressure Type	Output (mV)	Port Description	Max. Supply	Digi-Key Part No.	Price Each	Honeywell Part No.		
<b>13mm - RoHS Compliant</b>									
0 - 1,000	Absolute	0-200	1/8"	12VDC	287-1108-ND	65.83	13C1000PA4K		
0 - 5,000			27 NPT-SS	12VDC	287-1124-ND	65.83	53.28	49.47	13C5000PA4K
<b>19mm - Calibrated and Compensated</b>									
0 - 15	Absolute Gage Vacuum	0-100	1/8"	15VDC	287-1108-ND	69.34	19C015PA4K		
			27 NPT-SS	15VDC	287-1109-ND	69.34	56.12	52.11	19C015PG4K
			27 NPT-SS	15VDC	287-1938-ND	69.34	56.12	52.11	19C015PV4K
0 - 15	Vacuum	0-100	1/4"	15VDC	287-1940-ND	74.05	19C015PV5K		
			18 NPT-SS	2.0mA	287-1941-ND	69.34	56.12	52.11	19C015PV5L
0 - 30	Absolute Gage Vacuum	0-100	1/8"	15VDC	287-1110-ND	69.34	19C030PA4K		
			27 NPT-SS	15VDC	287-1111-ND	69.34	56.12	52.11	19C030PG4K
			27 NPT-SS	15VDC	287-1944-ND	74.05	59.93	55.65	19C030PV4K
0 - 50	Absolute Gage	0-100	1/8"	15VDC	287-1112-ND	69.34	19C050PA4K		
			27 NPT-SS	15VDC	287-1113-ND	69.34	56.12	52.11	19C050PG4K
0 - 100	Absolute Gage	0-100	1/8"	15VDC	287-1114-ND	69.34	19C100PA4K		
			27NPT-SS	15VDC	287-1115-ND	74.05	59.93	55.65	19C100PG4K
0 - 100	Vacuum	0-100	1/4" 18 NPT-SS	15VDC	287-1952-ND	74.05	19C100PV5K		
			18 NPT-SS	15VDC	287-1116-ND	69.34	56.12	52.11	19C200PA4K
0 - 200	Absolute Gage	0-100	1/8"	15VDC	287-1117-ND	74.05	19C200PG4K		
			27 NPT-SS	15VDC	287-1117-ND	74.05	59.93	55.65	19C200PG4K
0 - 300	Absolute Gage	0-100	1/8"	15VDC	287-1118-ND	69.34	19C300PA4K		
			27 NPT-SS	15VDC	287-1119-ND	69.34	56.12	52.11	19C300PG4K
0 - 500	Absolute Gage	0-100	1/8"	15VDC	287-1120-ND	74.05	19C500PA4K		
			27 NPT-SS	15VDC	287-1121-ND	69.34	56.12	52.11	19C500PG4K
<b>Flush Mount</b>									
0 - 15	Vacuum	0-100	N/A	15VDC	287-1936-ND	66.55	19C015PV2K		
0 - 30			N/A	15VDC	287-1942-ND	66.55	53.86	50.02	19C030PV2K
0 - 100			N/A	15VDC	287-1948-ND	63.04	50.44	47.73	19C100PV2K
<b>Bonded Element</b>									
0 - 5,000	Gage	0.5-4.5	7/16"-20 UNF-SS	5.25VDC	287-1130-ND	43.56	BE-4R5000PG6DS		
			7/16"-20 UNF-CRS	5.25VDC	287-1131-ND	42.11	39.21	36.60	BE-4R5000PG6DC

† Gland per MS33656 (3-904 O-Ring seal not provided) ♦ RoHS Compliant

**13mm Male Port**

Note: Ø 0.22" ±0.001" (0.56mm ±0.03mm) Pins on Ø 0.230" (5.84mm) pin circle.

**19mm Male Port**

Note: 2" (50.8mm) NOMEX ribbon cable with 0.100" (2.54mm) pin spacing (24 AWG wire size).

**Flush Mount**

50.8 Nomex Insulated strip cable with 2.54 pin spacing (24 AWG equiv.).

Vent hole Gage units only

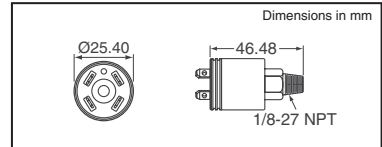
**Bonded Element**

GT 150 series 3 pin

## Pressure Transducer

The MEDIAMATE® pressure transducer provides the corrosion resistance of stainless steel at low OEM pricing. It is fully compensated and completely interchangeable without further calibration. It is being used with a wide variety of corrosive media such as Freon, ammonia, water, and hydraulic fluids.

Pressure Range (PSI)	Measurement Type	Operating Temperature	Port Style	Digi-Key Part No.	Price Each	Honeywell Part No.
0 - 1,000	Gage	-40°C - 100°C	1/8 - 27 NPT	480-2836-ND	179.42 148.59 140.18	9302907



# Honeywell

Sensing and Control

HOBBS

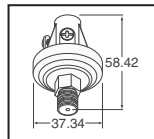
## Pressure and Vacuum Switches 5000 Series



The 5000 Series switches are specifically designed to stand up to extended duty applications. It features a Kapton diaphragm for compatibility with a wide variety of fluids. These switches are factory set. The pressure switches are field adjustable.

**Specifications:** • Pressure Switch Proof Pressure: 500 PSI • Pressure Switch Burst Pressure: 750 PSI for 0.5 - 24 PSI; 1250 PSI for 25 - 150 PSI set point range • Vacuum Switch Proof Pressure: -30" Hg • Temperature Range: -40°C - 121°C (-40°F - 250°F) • Connector: 1/8" - 27" NPT male thread • Terminals: #8 - 32 screws

Load	Ratings	
	Resistive:	15 Amp
	8 Amp	12VDC
	4 Amp	24VDC
Inductive:	1 Amp	120VAC
	0.5 Amp	240VAC



### Vacuum Switches

Circuitry	Contact Setting PSIV (Hg)	Digi-Key Part No.	Price Each	Honeywell Part No.
N.O.	2"	480-2057-ND	15.33 10.95 10.41	077342 02.0HG 01
N.C.		480-2060-ND	15.33 10.95 10.41	077343 02.0HG 01
N.O.	4"	480-2058-ND	15.33 10.95 10.41	077342 04.0HG 01
N.C.		480-2061-ND	14.60 10.59 10.22	077343 04.0HG 01
N.O.	9"	480-2059-ND	15.33 10.95 10.41	077342 09.0HG 01
N.C.		480-2062-ND	15.33 10.95 10.41	077343 09.0HG 01

### Pressure Switches

Circuitry	Contact Setting (PSI)	Factory Setting (PSI)	Digi-Key Part No.	Price Each	Honeywell Part No.	
N.O.	1.1 - 3 ±0.5	2	480-2039-ND	17.31 12.55 12.12	076051 00000020 01	
N.C.			480-2043-ND	18.82 13.65 13.18	076061 00000020 01	
N.O./N.C.			480-2047-ND	21.76 15.78 15.24	076071 00000020 01	
N.O.	3.1 - 7 ±1	4	480-2051-ND	17.31 12.55 12.12	076575 00000040 01	
N.C.			480-2053-ND	19.14 13.88 13.40	076577 00000040 01	
N.O./N.C.			480-2055-ND	19.57 14.19 13.70	076579 00000040 01	
N.O.	8 - 13 ±2	10	480-2052-ND	16.34 11.86 11.45	076576 00000100 01	
N.C.			480-2054-ND	20.61 14.95 14.43	076578 00000100 01	
N.O./N.C.			480-2056-ND	19.76 14.33 13.84	076580 00000100 01	
N.O.	14 - 24 ±3	15	480-2040-ND	17.13 12.43 12.00	076052 00000150 01	
N.C.			480-2044-ND	20.38 14.78 14.27	076062 00000150 01	
N.O./N.C.			480-2048-ND	22.71 16.47 15.90	076072 00000150 01	
N.O.	25 - 50 ±5	35	480-2041-ND	17.45 12.66 12.22	076053 00000350 01	
N.C.			480-2045-ND	21.77 15.79 15.24	076063 00000350 01	
N.O./N.C.			480-2049-ND	23.59 17.24 16.94	076073 00000350 01	
N.O.	51 - 90 ±7	60	480-2042-ND	17.75 12.87 12.43	076054 00000600 01	
N.C.			480-2046-ND	21.77 15.79 15.24	076064 00000600 01	
N.O./N.C.			480-2050-ND	21.77 15.79 15.24	076074 00000600 01	
<b>Switch Boot</b>						
Switch Boot for Vacuum and Pressure Switches				480-2063-ND	4.94 3.23 3.03	079380 00

N

Free shipping on orders over £50! All prices are in British pound sterling and include duties.

uk.digikey.com — FREEPHONE: 0-800-587-0991 • 0-800-904-7786 — FREEFAX: 0-800-587-0992 • 0-800-904-7783

(UK091) 2245



Pressure sensors, force sensors and airflow sensors are all developed around semiconductor technology. Each pressure sensor contains a silicon chip with an integral sensing diaphragm and four piezoresistors. Pressure applied on the diaphragm causes it to flex, changing the resistance. This causes a low level output

voltage proportional to pressure. Airflow sensors contain a thin-film, thermally isolated bridge structure containing heater and temperature sensing elements. The bridge structure provides a sensitive and fast response to the flow of air or other gas over the chip.

Dimensions in Inches

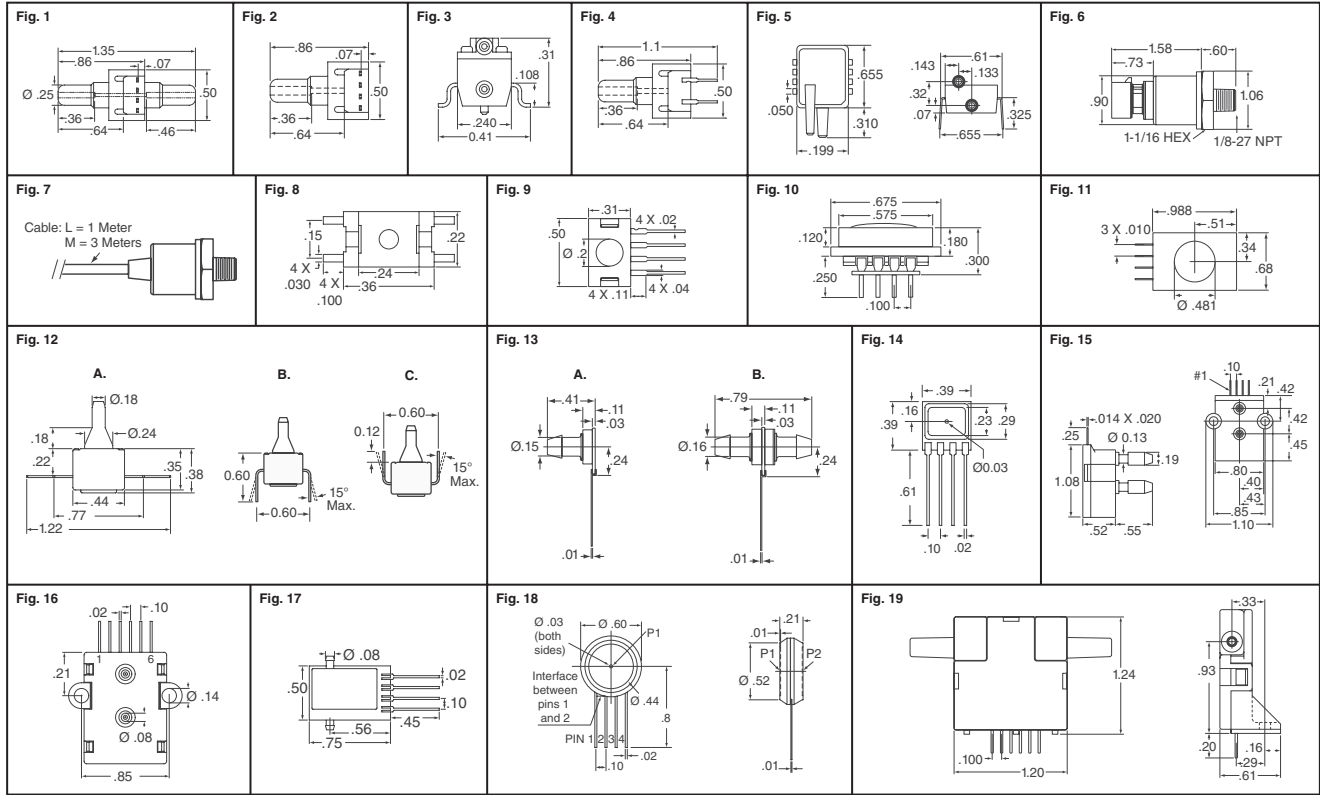


Fig.	Pressure	Output	Digi-Key Part No.	1	Price Each	25	100	Honeywell Part No.
1	1PSID	45mVDC	480-2496-ND	11.47	8.35	7.57	24PCFAFA6D	
	5PSID	115mVDC	480-2498-ND	11.47	8.35	7.57	24PCBFA6D	
	15PSID	225mV	480-2500-ND	11.47	8.35	7.57	24PCDFA6D	
	30PSID	330mV	480-2502-ND	11.70	8.51	7.72	24PCDFA6D	
	0.5PSID	35mVDC	480-2504-ND	11.47	8.35	7.57	24PCFAFA6D	
	1PSID	16.7mV	480-2509-ND	15.48	11.85	10.84	26PCFAFA6D	
	5PSID	50mVDC	480-2512-ND	15.48	11.85	10.84	26PCBFA6D	
	15PSID	100mV	480-2516-ND	15.48	11.85	10.84	26PCDFA6D	
	30PSID	100mV	480-2519-ND	15.48	11.85	10.84	26PCDFA6D	
	1PSIG	45mVDC	480-2497-ND	11.47	8.35	7.57	24PCFAFA6G	
	5PSIG	115mVDC	480-2499-ND	11.47	8.35	7.57	24PCBFA6G	
	15PSIG	225mV	480-2501-ND	11.47	8.35	7.57	24PCDFA6G	
30PSIG	330mV	480-2503-ND	11.47	8.35	7.57	24PCDFA6G		
0.5PSIG	35mVDC	480-2505-ND	11.47	8.35	7.57	24PCFAFA6G		
2	1PSIG	16.7mV	480-2510-ND	15.48	11.85	10.84	26PCFAFA6G	
	5PSIG	50mVDC	480-2513-ND	15.48	11.85	10.84	26PCBFA6G	
	15PSIG	100mV	480-2517-ND	15.48	11.85	10.84	26PCDFA6G	
	30PSIG	100mV	480-2518-ND	15.48	11.85	10.84	26PCDFA6G	
	30PSIG	100mV	480-2520-ND	15.48	11.85	10.84	26PCDFA6G	
	10PSIG	100mV	480-2521-ND	15.48	11.85	10.84	26PCFAFA6G	
	3	5PSIG	80 - 150mV	480-3088-5-ND	8.93	6.36	5.76	24PC05SMT
		15PSIG	160 - 290mV	480-3089-5-ND	9.60	6.99	6.33	24PC15SMT
		1PSID	14.7 - 18.7mV	480-2506-5-ND	14.79	11.32	10.36	26PC01SMT
		5PSID	47 - 53mV	480-2507-5-ND	14.79	11.32	10.36	26PC05SMT
	4	15PSID	96 - 104mV	480-2508-5-ND	14.79	11.32	10.36	26PC15SMT
		5PSIG	50mVDC	480-2511-ND	15.48	11.85	10.84	26PCBFA6G
5	15PSIG	100mV	480-2518-ND	15.48	11.85	10.84	26PCDFA6G	
	5PSID	0.5 - 4.5VDC	480-2522-5-ND	21.18	15.89	14.83	ASDXL05D44D	
	5PSID	Digital (Hex)	480-2523-5-ND	26.18	20.14	18.80	ASDXL05D44D-DO	
	10 in H <sub>2</sub> O	0.5 - 4.5VDC	480-2524-5-ND	20.31	15.23	14.22	ASDXL10G24R	
	10 in H <sub>2</sub> O	Digital (Hex)	480-2525-5-ND	25.09	19.31	18.02	ASDXL10G24R-DO	
	3PSID	0.5 - 4.5VDC	480-2526-5-ND	20.31	15.23	14.22	ASDXL10D44R	
	3PSID	Digital (Hex)	480-2527-5-ND	25.09	19.31	18.02	ASDXL10D44R-DO	
	10PSI	Digital (Hex)	480-2529-5-ND	25.09	19.31	18.02	ASDXL10D44D-DO	
	10 in H <sub>2</sub> O	2.5-2VDC	480-2528-5-ND	20.31	15.23	14.22	ASDXL10D44D	
	50PSIG	4 - 20mA	480-2543-ND	58.81	47.05	44.53	MLH050PGB01B	
	50PSIG	5 - 4.5VDC	480-2544-ND	58.81	47.05	44.53	MLH050PGB01E	
	50PSIG	5 - 4.5VDC	480-2545-ND	58.81	47.05	44.53	MLH050PGB06A	
50PSIG	5 - 4.5VDC	480-2546-ND	58.81	47.05	44.53	MLH050PGB06A		
50PSIG	1 - 6VDC	480-2547-ND	58.81	47.05	44.53	MLH050PGB06C		
100PSI	5 - 4.5VDC	480-2555-ND	57.93	46.35	43.87	MLH100PAB06A		
100PSI	1 - 5VDC	480-2556-ND	57.93	46.35	43.87	MLH100PAB06G		
100PSI	4 - 20mA	480-2558-ND	57.93	46.35	43.87	MLH100PAG01B		
100PSI	5 - 4.5VDC	480-2560-ND	58.81	47.05	44.53	MLH100PGB01A		

Fig.	Pressure	Output	Digi-Key Part No.	1	Price Each	25	100	Honeywell Part No.
6	100PSI	4 - 20mA	480-2561-ND	58.81	47.05	44.53	MLH100PGB01B	
	100PSI	5 - 4.5VDC	480-2562-ND	58.81	47.05	44.53	MLH100PGB06A	
	100PSI	4 - 20mA	480-2563-ND	58.81	47.05	44.53	MLH100PGB06B	
	100PSI	5 - 4.5VDC	480-2564-ND	58.81	47.05	44.53	MLH100PGB10A	
	100PSI	4 - 20mA	480-2574-ND	58.81	47.05	44.53	MLH100PGB06B	
	100PSI	1 - 6VDC	480-2575-ND	58.81	47.05	44.53	MLH100PGB06C	
	150PSI	5 - 4.5VDC	480-2576-ND	57.93	46.35	43.87	MLH150PAB01A	
	150PSI	5 - 4.5VDC	480-2577-ND	58.81	47.05	44.53	MLH150PGB01A	
	150PSI	4 - 20mA	480-2578-ND	58.81	47.05	44.53	MLH150PGB01B	
	150PSI	5 - 4.5VDC	480-2579-ND	58.81	47.05	44.53	MLH150PGB06A	
	150PSI	4 - 20mA	480-2580-ND	58.81	47.05	44.53	MLH150PGB06B	
	150PSI	1 - 5VDC	480-2581-ND	58.81	47.05	44.53	MLH150PGB06G	
	200PSI	4 - 20mA	480-2584-ND	58.81	47.05	44.53	MLH200PGB01B	
	200PSI	5 - 4.5VDC	480-2586-ND	58.81	47.05	44.53	MLH200PGB06A	
	200PSI	4 - 20mA	480-2587-ND	58.81	47.05	44.53	MLH200PGB06B	
	200PSI	1 - 6VDC	480-2588-ND	58.81	47.05	44.53	MLH200PGB09C	
	250BAR	4 - 20mA	480-2590-ND	58.81	47.05	44.53	MLH250BS01B	
	250BAR	4 - 20mA	480-2591-ND	58.81	47.05	44.53	MLH250BS01B	
	250PSI	1 - 5VDC	480-2592-ND	58.81	47.05	44.53	MLH250PGB06G	
	250PSI	1 - 6VDC	480-2593-ND	58.81	47.05	44.53	MLH250PGB06C	
	250PSI	5 - 4.5VDC	480-2594-ND	58.81	47.05	44.53	MLH250PSB01A	
	250PSI	4 - 20mA	480-2595-ND	58.81	47.05	44.53	MLH250PSB01B	
	250PSI	5 - 4.5VDC	480-2596-ND	58.81	47.05	44.53	MLH250PSB09A	
	300PSI	5 - 4.5VDC	480-2598-ND	58.81	47.05	44.53	MLH300PSB01A	
	300PSI	4 - 20mA	480-2599-ND	58.81	47.05	44.53	MLH300PSB01B	
	300PSI	1 - 6VDC	480-2600-ND	58.81	47.05	44.53	MLH300PSB01C	
	300PSI	5 - 4.5VDC	480-2601-ND	58.81	47.05	44.53	MLH300PSB01E	
	300PSI	5 - 4.5VDC	480-2602-ND	58.81	47.05	44.53	MLH300PSB09A	
	300PSI	5 - 4.5VDC	480-2603-ND	58.81	47.05	44.53	MLH300PSB09E	
	500PSI	4 - 20mA	480-2608-ND	58.81	47.05	44.53	MLH500PSB06B	
	500PSI	5 - 4.5VDC	480-2609-ND	58.81	47.05	44.53	MLH500PSB09A	
	500PSI	1 - 6VDC	480-2610-ND	58.81	47.05	44.53	MLH500PSB09C	
	500PSI	5 - 4.5VDC	480-2605-ND	58.81	47.05	44.53	MLH500PSB01A	
	500PSI	4 - 20mA	480-2606-ND	58.81	47.05	44.53	MLH500PSB01B	
	500PSI	4 - 20mA	480-2616-ND	58.81	47.05	44.53	MLH500PSP06B	
	500PSI	1 - 6VDC	480-2617-ND	58.81	47.05	44.53	MLH500PSP06C	
	1000PSI	5 - 4.5VDC	480-2530-ND	58.81	47.05	44.53	MLH01KPSB01A	
	1000PSI	4 - 20mA	480-2531-ND	58.81	47.05	44.53	MLH01KPSB01B	
	1000PSI	5 - 4.5VDC	480-2532-ND	58.81	47.05	44.53	MLH01KPSB06A	
	1000PSI	4 - 20mA	480-2533-ND	58.81	47.05	44.53	MLH01KPSB06B	
	2000PSI	5 - 4.5VDC	480-2534-ND	58.81	47.05	44.53	MLH02KPSB06A	
	2000PSI	4 - 20mA	480-2535-ND	58.81	47.05	44.53	MLH02KPSB01B	
	3000PSI	4 - 20mA	480-2536-ND	58.81	47.05	44.53	MLH03KPSB01B	
	3000PSI	5 - 4.5VDC	480-2537-ND	58.81	47.05	44.53	MLH03KPSB01A	

† Cut Tape ‡ Tape and Reel

(Continued)

**Free shipping on orders over £50! All prices are in British pound sterling and include duties.**  
 2246 (UK091) uk.digikey.com — FREEPHONE: 0-800-587-0991 • 0-800-904-7786 — FREEFAX: 0-800-587-0992 • 0-800-904-7783



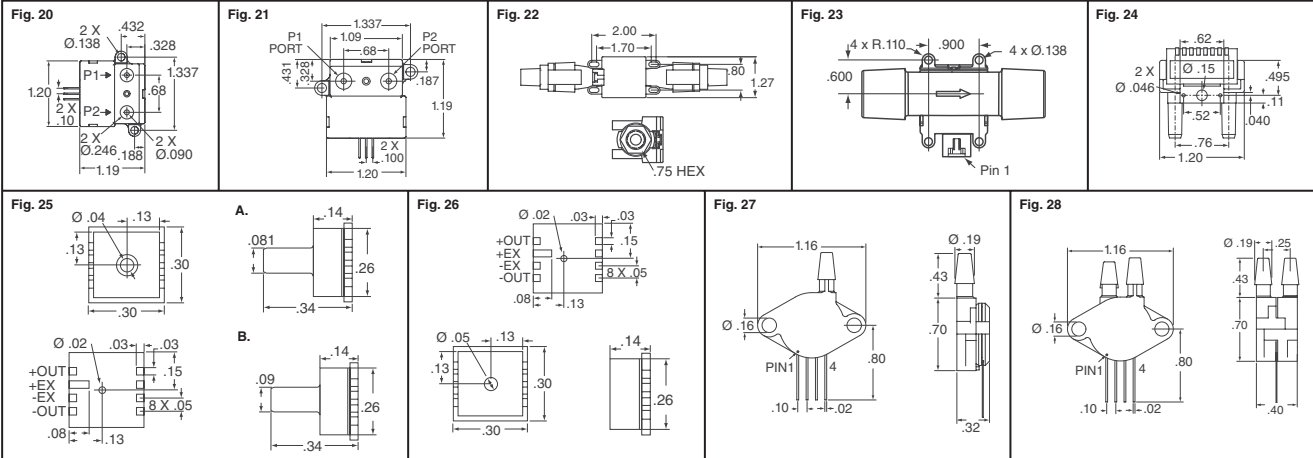


Fig.	Pressure	Output	Digi-Key Part No.	1	Price Each	25	100	Honeywell Part No.
6	3000PSI	4 - 20mA	480-2538-ND	58.81	47.05	44.53	MLH03KPSB01B	
	3000PSI	1 - 5VDC	480-3102-ND	58.13	47.05	43.69	MLH03KPSB01G	
	3000PSI	5 - 4.5VDC	480-2540-ND	58.81	47.05	44.53	MLH03KPSB06A	
	3000PSI	4 - 20mA	480-3103-ND	58.13	47.05	43.69	MLH03KPSB06B	
	3000PSI	4 - 20mA	480-3103-ND	58.13	47.05	43.69	MLH03KPSB10B	
	5000PSI	4 - 20mA	480-2548-ND	58.81	47.05	44.53	MLH05KPSB01B	
	5000PSI	5 - 4.5VDC	480-2549-ND	58.81	47.05	44.53	MLH05KPSB01A	
	5000PSI	4 - 20mA	480-3105-ND	58.13	47.05	43.69	MLH05KPSB01B	
	5000PSI	1 - 6VDC	480-2552-ND	58.81	47.05	44.53	MLH05KPSB06C	
	8000PSI	5 - 4.5VDC	480-2553-ND	58.81	47.05	44.53	MLH08KPSB01A	
	8000PSI	4 - 20mA	480-2554-ND	58.81	47.05	44.53	MLH08KPSB01B	
	7	100PSI	5 - 4.5VDC	480-2566-ND	58.81	47.05	44.53	MLH100PGL01A
100PSI		4 - 20mA	480-2566-ND	58.81	47.05	44.53	MLH100PGL01B	
100PSI		5 - 4.5VDC	480-2567-ND	58.81	47.05	44.53	MLH100PGL06A	
100PSI		4 - 20mA	480-2568-ND	58.81	47.05	44.53	MLH100PGL06B	
100PSI		1 - 6VDC	480-2569-ND	58.81	47.05	44.53	MLH100PGL06C	
100PSI		4 - 20mA	480-2570-ND	58.81	47.05	44.53	MLH100PGL09B	
100PSI		4 - 20mA	480-2571-ND	58.81	47.05	44.53	MLH100PGL01B	
100PSI		4 - 20mA	480-2572-ND	58.81	47.05	44.53	MLH100PGL06B	
100PSI		1 - 6VDC	480-2573-ND	58.81	47.05	44.53	MLH100PGL06C	
150PSI		1 - 5VDC	480-2582-ND	58.81	47.05	44.53	MLH150PGL04G	
150PSI		4 - 20mA	480-2583-ND	58.81	47.05	44.53	MLH150PGL06B	
200PSI		4 - 20mA	480-2585-ND	58.81	47.05	44.53	MLH200PGL01B	
8	1500G	180mV	480-2618-ND	27.30	21.01	19.61	FSS1500NSR	
	1500G	180mV	480-2619-1-ND†	35.34	25.14	22.00	FSS1500NSB	
	1500G	180mV	480-2619-2-ND‡	50195.93/1,200			FSS1500NSR	
	1500G	180mV	480-2620-5-ND	27.30	21.01	19.61	FSS1500NST	
	9	1500G	360mV	480-2621-5-ND	30.83	23.53	22.31	FSG15N1A
		5PSIG	10VDC	480-2622-ND	54.52	43.62	41.28	1865-01G-KDN
		5PSIG	1.5mA	480-2623-ND	54.52	43.62	41.28	1865-01G-LDN
		10PSIG	10VDC	480-2624-ND	54.52	43.62	41.28	1865-02G-KDN
		10PSIG	1.5mA	480-2625-ND	54.52	43.62	41.28	1865-02G-LDN
		15PSIG	10VDC	480-2626-ND	54.08	42.82	39.81	1865-03G-KDN
		15PSIG	1.5mA	480-2627-ND	54.08	42.82	39.81	1865-03G-LDN
		25PSIG	10VDC	480-2628-ND	54.52	43.62	41.28	1865-05G-KDN
25PSIG		1.5mA	480-2629-ND	54.08	42.82	39.81	1865-05G-LDN	
30PSIG		10VDC	480-2630-ND	54.52	43.62	41.28	1865-07G-KDN	
30PSIG		1.5mA	480-2631-ND	54.52	43.62	41.28	1865-07G-LDN	
10		1.5LBS	3.0VDC	480-2632-5-ND	65.80	53.26	49.45	FS01
	3LBS	3.0VDC	480-2633-5-ND	68.24	55.22	51.28	FS03	
	±50mm Hg	4.5VDC	480-2634-5-ND	26.70	20.54	19.17	40PC001B1A	
	1PSIG	4.5VDC	480-2635-5-ND	25.48	19.60	18.30	40PC015G1A	
	15PSIG	4.5VDC	480-3092-5-ND	24.82	18.95	17.97	40PC150G1A	
	±50mm Hg	4.5VDC	480-3090-5-ND	27.86	21.84	20.33	40PC001B2A	
	1PSIG	4.5VDC	480-3091-5-ND	24.82	18.95	17.97	40PC015G2A	
	15PSIG	4.5VDC	480-2636-5-ND	25.48	19.60	18.30	40PC015V2A	
	100PSIG	4.5VDC	480-2638-5-ND	25.48	19.60	18.30	40PC100G2A	
	150PSIG	4.5VDC	480-2639-5-ND	25.48	19.60	18.30	40PC150G2A	
	250PSIG	4.5VDC	480-2640-5-ND	25.48	19.60	18.30	40PC250G2A	
	500PSIG	4.5VDC	480-2642-5-ND	26.70	20.54	19.17	40PC500G2A	
12C	1PSIG	4.5VDC	480-2637-5-ND	25.48	19.60	18.30	40PC015V3A	
	250PSIG	4.5VDC	480-2641-5-ND	26.70	20.54	19.17	40PC250G3A	
	3PSIG	20mVDC	480-2644-5-ND	22.74	17.49	16.33	CPCO3GFH	
	1PSIG	18mV	480-3096-ND	21.51	16.55	15.45	CPCO1GFC	
	1PSIG	18mV	480-2646-5-ND	23.97	18.44	17.21	CPCO1GFH	
	5PSIG	60mV	480-2647-5-ND	22.06	16.55	15.45	CPCO5GFC	
	5PSIG	60mV	480-2648-5-ND	23.97	18.44	17.21	CPCO5GFH	
	4H2OG	25mV	480-2652-5-ND	18.33	13.75	12.84	CPCL04GFC	

Fig.	Pressure	Output	Digi-Key Part No.	1	Price Each	25	100	Honeywell Part No.
13A	10H2OG	20mV	480-2654-5-ND	18.33	13.75	12.84	CPCL10GFC	
	15PSIA	90mV	480-2649-5-ND	22.12	17.02	15.89	CPCL15AFH	
	15PSIA	90mV	480-2650-5-ND	21.43	16.08	15.01	CPCL15AH	
	15PSIA	253mV	480-2655-5-ND	14.29	10.55	9.70	CPCL15AF	
	3PSID	20mVDC	480-2643-5-ND	22.08	16.99	15.86	CPCL03DFH	
13B	1PSI	18mV	480-2645-5-ND	22.08	16.55	15.45	CPCL01DFC	
	4H2OD	25mV	480-2651-5-ND	21.90	16.43	15.34	CPCL04DFC	
	4H2OD	68mV	480-3098-ND	12.60	9.65	8.83	CPCL04DF	
	10H2OD	20mV	480-2653-5-ND	21.26	15.95	14.89	CPCL10DFC	
	10H2OD	78.5mV	480-3099-ND	13.87	10.40	9.71	CPCL10DF	
14	100PSIG	295mV	480-3097-ND	13.61	10.41	9.53	CPX100G	
15	1H2OD	+2VDC	480-2656-5-ND	51.52	41.23	39.02	DC001NDC4	
	2H2OD	+2VDC	480-2657-5-ND	49.87	39.90	37.62	DC002NDC4	
	5H2OD	+2VDC	480-2658-5-ND	52.18	41.32	38.42	DC005NDC4	
	10H2OD	+2VDC	480-2659-5-ND	50.39	39.90	37.10	DC010NDC4	
	30H2OD	+2VDC	480-2660-5-ND	48.59	38.47	35.77	DC030NDC4	
16	2.5MBARD	+2VDC	480-2661-5-ND	59.66	47.73	45.18	DC2R5BDC4	
	30H2OD	+2.5VDC	480-3100-ND	49.59	40.13	37.26	DC030NDR5	
	1H2OD	10mV	480-2662-5-ND	57.35	45.89	43.43	DCX10LDS	
	5H2OD	20mV	480-2663-5-ND	54.75	43.81	41.46	DCX10LDS	
	10H2OD	20mV	480-2664-5-ND	54.75	43.81	41.46	DCX11LDS	
17	10H2OD	20mV	480-3101-ND	51.19	41.43	38.47	DCX12LDS	
	30H2OD	20mV	480-2665-5-ND	51.78	41.43	39.21	DCX13LDS	
	1H2OD	6mV	480-2666-5-ND	34.32	26.90	25.05	DUXL01D	
	5H2OD	22.5mV	480-2667-5-ND	35.24	27.62	25.72	DUXL05D	
	10H2OD	30mV	480-2668-5-ND	34.89	26.63	25.25	DUXL10D	
18	20H2OD	30mV	480-2669-5-ND	33.61	25.65	24.32	DUXL20D	
	1PSIDV	75mV	480-2687-5-ND	16.50	12.63	11.56	XPX01D	
	100PSIDV	295mV	480-2688-5-ND	22.77	17.53	16.36	XPX100DT	
	100PSIDV	295mV	480-2689-5-ND	19.67	14.76	13.78	XPX100GFS	
	150PSIDV	262.5mV	480-2690-5-ND	15.94	12.20	11.16	XPX150D	
10H2ODV	2mV/in H2O	480-2684-5-ND	28.66	21.88	20.75	XPCL10DH		
<b>Airflow</b>								
19	200SCCM	±44.5mV	480-2691-5-ND	43.47	34.42	32.61	AWM2100V	
	200SCCM	5VDC	480-2692-5-ND	52.13	41.70	39.47	AWM3100V	
	1000SCCM	5VDC	480-2693-5-ND	52.13	41.70	39.47	AWM3300V	
20	1000SCCM	54.7mV	480-3093-ND	50.70	40.57	38.40	AWM42300V	
	1000SCCM	5VDC	480-2694-5-ND	64.47	52.17	48.45	AWM43300V	
21	6SLPM	5VDC	480-2695-5-ND	67.34	54.50	50.61	AWM43600V	
22	5SLPM	5VDC	480-2696-ND	89.18	73.45	68.20	AWM5101VN	
	10SLPM	5VDC	480-3094-ND	89.18	72.13	66.89	AWM5102VN	
	20SLPM	5VDC	480-2697-ND	89.18	73.45	68.20	AWM5104VN	
23	200SLPM	1 - 5VDC	480-3095-ND	99.75	83.13	77.08	AWM720P1	
24	200SCCM	±77mVDC	480-2698-5-ND	23.01	17.70	16.52	AWM92100V	

Fig.	Pressure	Sensitivity	Digi-Key Part No.	1	Price Each	25	100	Honeywell Part No.
<b>Typical Sensitivity</b>								
25A	5PSIG	7.5mV/mA/PSI	480-2673-5-ND	10.30	7.50	6.80	SCCP05GSMTP	
	15PSIA	4.3mV/mA/PSI	480-3106-ND	10.30	7.26	6.68	SCCP15ASMT	
	15PSIA	4.3mV/mA/PSI	480-3107-ND	10.30	7.26	6.68	SCCP15GSMTP	
	30PSIA	2.9mV/mA/PSI	480-3108-ND	10.30	7.26	6.68	SCCP30ASMT	
	30PSIG	2.9mV/mA/PSI	480-3109-ND	10.30	7.26	6.68	SCCP30GSMTP	
25B	100PSIG	1.3mV/mA/PSI	480-2674-5-ND	10.30	7.50	6.80	SCCP100GSMTP	
	15PSIA	1.50mV/mA/PSI	480-3112-ND	17.74	13.65	12.74	SCP15ASMT	
	100PSIG	0.30mV/mA/PSI	480-3111-ND	17.74	13.65	12.74	SCP100GSMTP	
26	15PSIA	4.3mV/mA/PSI	480-2675-5-ND	10.30	7.50	6.80	SCCP15ASMTLP	
	15PSIA	4.3mV/mA/PSI	480-2671-5-ND	10.42	7.58	6.87	SCCP3ASMT	
	30PSIA	2.9mV/mA/PSI	480-2672-5-ND	10.42	7.58	6.87	SCCP30ASMT	
	300PSIA	0.14mV/mA/PSI	480-2677-5-ND	14.69	10.85	9.97	SCCP300ASMT	
27	300PSIG	0.14mV/mA/PSI	480-3110-ND	14.64	10.98	10.25	SCCP15ASMTLP	
	1PSIV	18mV/PSI	480-2680-5-ND	25.85	19.89	18.57	XPX01GTC	
	150PSIV	90mV typ	480-2681-5-ND	24.78	19.07	17.79	XPX150GTC	
	15PSIA	6mV/PSI	480-2682-5-ND	24.73	19.03	17.76	XPX15ATC	
	4H2ODV	6.25mV/PSI	480-2683-5-ND	31.27	23.87	22.63	XPCL04DTC	
28	1PSIDV	18mV/PSI	480-2679-5-ND	27.17	20.91	19.52	XPCL01DTC	
	10H2OD	2mV/in H2O	480-2685-5-ND	31.27	23.87	22.63	XPCL10DTC	
	10H2OD	2mV/in H2O	480-2686-5-ND	31.76	24.25	22.99	XPCL10DTH	

† Cut Tape ‡ Tape and Reel

**Free shipping on orders over £50! All prices are in British pound sterling and include duties.**

uk.digikey.com — FREEPHONE: 0-800-587-0991 • 0-800-904-7786 — FREEFAX: 0-800-587-0992 • 0-800-9



SSI Technologies, Inc.

Controls Division



MediaSensor™ P51 Pressure Transducers

Description: This family of bulk micro-machined, absolute, gauge and sealed pressure transducers and transmitters are for both harsh and benign media with a total error of ±1% and are well suited for a variety of automotive, industrial and commercial applications. Features: • Robust Package: All laser-welded stainless steel design for optimal media isolation • Maximum Flexibility: Custom ASIC provides signal conditioning for calibration and temperature compensation • Temperature Range: -40° - 105°C • Response Time: <1ms • Connector: I36 - 36" Integral Harness • No O-Rings • 316L Stainless Steel Construction

Note: More Product available on-line. For pricing and availability, visit our website.

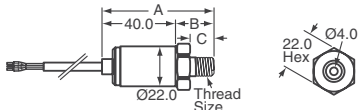


Table with columns: Thread Size, Length - mm (A, B, C), Output (1-5 VOUT, 4-20mAOUT), Color (Red, White, Black) and corresponding Power/Return/Not Used.

Main product table for P51 Pressure Transducers with columns: Pressure Range (psi), Pressure Type, Port Thread, Digi-Key Part No., Price Each (1, 10, 100), and SSI Technologies Part No. Includes sub-sections for 0.5 - 4.5 VOUT, Over Voltage Protection, and 1 - 5 VOUT.

Table listing various P51 pressure transducer models with columns: Pressure Range (psi), Pressure Type, Port Thread, Digi-Key Part No., Price Each (1, 10, 100), and SSI Technologies Part No. Includes sub-sections for 4 - 20 mAOUT and 8 - 30 VOUT.

† G = Gauged, A = Absolute, S = Sealed Gauge

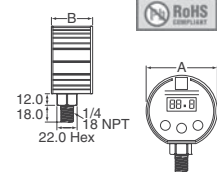
MediaGauge™ Digital Pressure Gauges

Specifications: • Package: NEMA 4X Rating • Operating Temperature: -10°C - 60°C (-14°F - 140°F) • Output Type: 4 Digit LCD • Keypad Operated Functions: Auto Zero and Peak Hold • Port: 1/4 - 18 NPT

Additional Specifications:

MG-MD: 4-20mA Current option and High and Low Pressure Set points

MG-A9V: Air Only



Main product table for MediaGauge Digital Pressure Gauges with columns: Pressure Gauge, Dim. - mm (A, B), Accuracy, Digi-Key Part No., Price Each (1, 5), and SSI Technologies Part No. Includes sub-sections for MG-9V (9 Volt Battery), MG-MD (12 Vdc), and MG-A9V (9 Volt Battery).

N

Free shipping on orders over £50! All prices are in British pound sterling and include duties.

2248 (UK091) uk.digikey.com - FREEPHONE: 0-800-587-0991 • 0-800-904-7786 - FREEFAX: 0-800-587-0992 • 0-800-904-7783



# Digital Fluid-Trac™ Ultrasonic Drum Level Gauge



**Description:** This drum level gauge is a cost competitive non-contact continuous liquid level drum gauge. Designed for use on 55 gallon vertical drums storing a wide variety of media such as water, waste water, motor oil, hydraulic fluid and diesel fuel. **Features:** • Fits NPT openings (2" or 3/4") • Accurate to 1 gallon with a resolution of +/- 0.5 gallon • Powered by two 9V batteries (not included)

Range	Operating Temperature	Battery Life	Digi-Key Part No.	Price Each	SSI Technologies Part No.
Up to 32"	0°C - 50°C	30 Days	734-1162-ND	90.75 81.68	DFT-100-R



## Pneumatic Automation Components

SMC Corporation is the largest manufacturer in the world of pneumatic automation components. SMC's line of fluid power and pneumatic instrumentation products include vacuum and pressure sensors, switches, gauges, electro-pneumatic regulators and digital flow switches/sensors for air, water and chemicals.

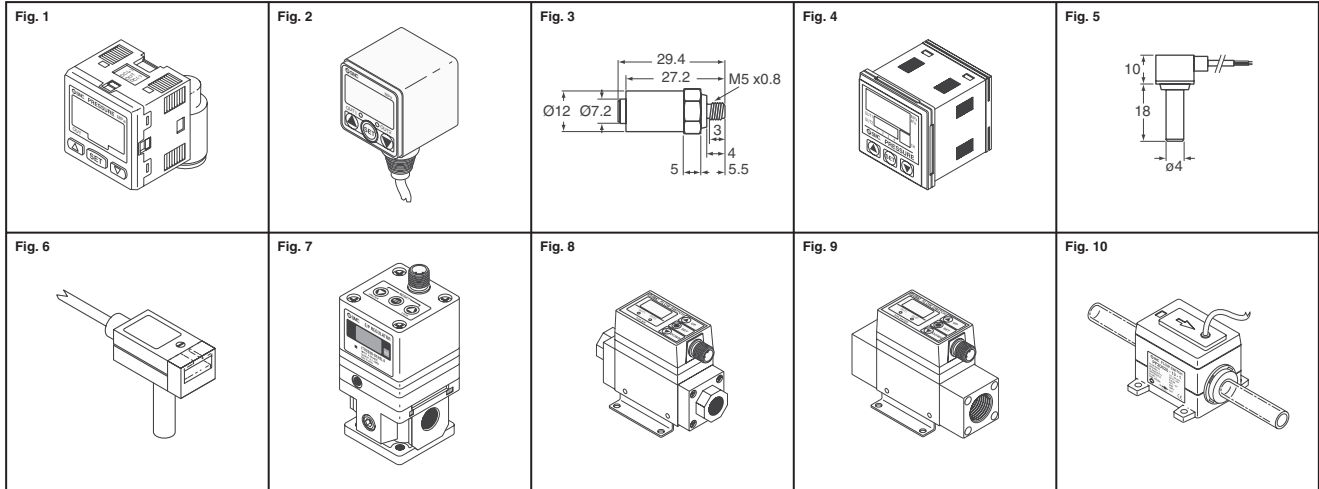


Fig.	Pressure Range	Proof Pressure	Pressure Type	Port	Supply Voltage (VDC)	Max. Supply Current (mA)	Output	Operating Temperature °C	Digi-Key Part No.	Price Each	SMC Part No.
<b>ZSE30/ISE40 Series — 2-Color Display</b>											
1	-100 - 100kPa	500kPa	Vacuum	NPT 1/8"	12 - 24	45	PNP	0 - 50	606-1006-ND	62.76	ZSE30-T1-65
	-100 - 100kPa	500kPa	Vacuum	NPT 1/8"	12 - 24	45	NPN	0 - 50	606-1007-ND	62.76	ZSE30-T1-25
	0.0 - 1.0MPa	1.5MPa	Pressure	NPT 1/8"	12 - 24	45	PNP	0 - 50	606-1001-ND	62.76	ISE30-T1-65
	0.0 - 1.0MPa	1.5MPa	Pressure	NPT 1/8"	12 - 24	45	NPN	0 - 50	606-1000-ND	62.76	ISE30-T1-25
	-100 - 100kPa	500kPa	Vacuum	ø1/4" One Touch	12 - 24	45	PNP	0 - 50	606-1008-ND	65.41	ZSE30-N7L-65
	-100 - 100kPa	500kPa	Vacuum	ø1/4" One Touch	12 - 24	45	NPN	0 - 50	606-1009-ND	65.41	ZSE30-N7L-25
	0.0 - 1.0MPa	1.5MPa	Pressure	ø1/4" One Touch	12 - 24	45	PNP	0 - 50	606-1002-ND	66.70	ISE30-N7L-65
	0.0 - 1.0MPa	1.5MPa	Pressure	ø1/4" One Touch	12 - 24	45	NPN	0 - 50	606-1003-ND	66.70	ISE30-N7L-25
<b>ZSE40/ISE40 Series</b>											
2	0.0 - 101.3kPa	500kPa	Vacuum	NPT 1/8"	12 - 24	55	PNP x 2, 1 - 5V	0 - 50	606-1011-ND	79.28	ZSE40-T1-62
	0.0 - 101.3kPa	500kPa	Vacuum	NPT 1/8"	12 - 24	55	NPN x 2, 1 - 5V	0 - 50	606-1010-ND	79.28	ZSE40-T1-22
	0.0 - 1.0MPa	1.5MPa	Pressure	NPT 1/8"	12 - 24	55	PNP x 2, 1 - 5V	0 - 50	606-1004-ND	79.28	ISE40-T1-62
	0.0 - 1.0MPa	1.5MPa	Pressure	NPT 1/8"	12 - 24	55	NPN x 2, 1 - 5V	0 - 50	606-1005-ND	79.28	ISE40-T1-22
<b>PSE530 Series — Remote Type Sensor</b>											
3	0.0 - 1.0MPa	1.5MPa	Pressure	M5 x 0.8"	12 - 24	15	1 - 5V	0 - 50	606-1019-ND	44.43	PSE530-M5
	0.0 - 101kPa	500kPa	Vacuum	M5 x 0.8"	12 - 24	15	1 - 5V	0 - 50	606-1020-ND	33.00	PSE531-M5
<b>PSE200 Series — Multi-channel Controller</b>											
4	—	—	—	—	12 - 24	55	NPN x 5	0 - 50	606-1016-ND	105.11	PSE200
	—	—	—	—	12 - 24	55	PNP x 5	0 - 50	606-1017-ND	105.11	PSE201
<b>PSE540 Series — Compact, 2-Color Display, Remote Type Sensor</b>											
5	0.0 - 101kPa	500kPa	Vacuum	ø4" Plug-in Reducer	12 - 24	15	1 - 5V	0 - 50	606-1021-ND	35.32	PSE541-R04
	-100 - 100kPa	500kPa	Pressure	ø4" Plug-in Reducer	12 - 24	15	1 - 5V	0 - 50	606-1022-ND	35.32	PSE543-R04
<b>PS1000/PS1100 Series — Electronic Air Checker</b>											
6	-100 - 400kPa	1MPa	Vacuum	ø6" Reducer	12 - 24	40	NPN	0 - 60	606-1025-ND	35.21	PS1100-R06L
<b>ITV2000 Series — Electro-pneumatic Regulator</b>											
7	.005 - 0.5MPa	1.0MPa	Gauge	NPT 1/4"	24	120	4-20mA	0 - 50	606-1026-ND	250.72	ITV2030-01N2L4
	.005 - 0.5MPa	1.0MPa	Gauge	NPT 1/4"	24	120	4-20mA	0 - 50	606-1027-ND	268.99	ITV2030-04N2L4
	.005 - 0.5MPa	1.0MPa	Gauge	NPT 1/4"	24	120	4-20mA	0 - 50	606-1028-ND	250.72	ITV2030-31N2L4
	.005 - 0.9MPa	1.0MPa	Gauge	NPT 1/4"	24	120	4-20mA	0 - 50	606-1029-ND	250.72	ITV2050-01N2L4
	.005 - 0.9MPa	1.0MPa	Gauge	NPT 1/4"	24	120	4-20mA	0 - 50	606-1030-ND	268.99	ITV2050-04N2L4
	.005 - 0.9MPa	1.0MPa	Gauge	NPT 1/4"	24	120	4-20mA	0 - 50	606-1031-ND	250.72	ITV2050-31N2L4
Mounting Bracket for ISE30/ZSE30 with Mounting Screws.....									606-1012-ND	1.52	ZS-27-B
Panel Mount Kit for ISE30/ZSE30 with Mounting Screws.....									606-1013-ND	3.04	ZS-27-C
Mounting Bracket for ISE40/ZSE40 with Mounting Screws.....									606-1014-ND	3.30	ZS-24-A
Panel Mount Kit for ISE40/ZSE40.....									606-1015-ND	2.18	ZS-22-A
Panel Mount Adapter for PSE200 Waterproof Seal, with Mounting Screws.....									606-1018-ND	7.07	ZS-26-C
3 Meter Sensor Cable for PSE530/531.....									606-1023-ND	6.01	ZS-26-F

Fig.	Flow Rate Liters/Minute	Pressure Type	Port	Supply Voltage (VDC)	Max. Supply Current (mA)	Output	Operating Temperature °C	Digi-Key Part No.	Price Each	SMC Part No.
<b>PF2A Series — Digital Air Flow Switch</b>										
8	5 - 50	Gauge	NPT 1/4"	12 - 24	150	NPN	0 - 50	606-1032-ND	319.18	PF2A750-N02-27
	5 - 50	Gauge	NPT 1/4"	12 - 24	150	PNP	0 - 50	606-1034-ND	319.18	PF2A750-N02-67
	50 - 500	Gauge	NPT 1/2"	12 - 24	170	NPN	0 - 50	606-1033-ND	319.18	PF2A751-N04-27
	50 - 500	Gauge	NPT 1/2"	12 - 24	170	PNP	0 - 50	606-1035-ND	319.18	PF2A751-N04-67
<b>PF2W Series — Digital Water Flow Switch</b>										
9	2 - 16	Gauge	NPT 1/2"	12 - 24	70	NPN	0 - 50	606-1036-ND	358.58	PF2W720-N04-27
	2 - 16	Gauge	NPT 1/2"	12 - 24	70	PNP	0 - 50	606-1038-ND	358.58	PF2W720-N04-67
	10 - 100	Gauge	NPT 3/4"	12 - 24	80	NPN	0 - 50	606-1037-ND	421.89	PF2W711-N06-27
	10 - 100	Gauge	NPT 3/4"	12 - 24	80	PNP	0 - 50	606-1039-ND	421.89	PF2W711-N06-67
<b>PF2D Series — Digital Deionized Water or Chemical Flow Switch</b>										
10	1.8 - 20	Gauge	1/2"	12 - 24	20	1 - 5V	0 - 50	606-1040-ND	408.48	PF2D520-13-1
	1.8 - 20	Gauge	1/2"	12 - 24	20	4-20mA	0 - 50	606-1041-ND	408.48	PF2D520-13-2

**Free shipping on orders over £50! All prices are in British pound sterling and include duties.**

uk.digikey.com — FREEPHONE: 0-800-587-0991 • 0-800-904-7786 — FREEFAX: 0-800-587-0992 • 0-800-904-7783

(UK091) 2249

**N**