

Hallogic® Hall Effect Sensors

Fig.	Operate Point* Min. / Typ. / Max. (Gauss - B)	Release Point Min. / Typ. / Max. (Gauss - B)	Hysteresis Typ. / Max. (Gauss - B)	Supply Cur. Typ. / Max. (mA)	Digi-Key Part No.	Price Each 1 100 250	TT Electronics Part No.
1	0/90/180	-100/65/100	25/100	6/9	365-1001-ND	1.94 1.14 1.09	OH090U
	70/-/200	50/-/180	—/—	4/7	365-1003-ND	2.26 1.32 1.27	OHS3140U
	235/300/465	120/235/325	65/200	6/9	365-1036-ND	1.94 1.14 1.09	OH360U
	70/-/350	50/-/330	—/—	4/7	365-1037-ND	2.26 1.32 1.27	OHN3120U

Fig.	Output Current (mA)	Output DC Voltage	Output Rise Typ. / Max.	Output Fall Time Typ. / Max.	Supply Current Typ. / Max. (mA)	Digi-Key Part No.	Price Each 1 100 250	TT Electronics Part No.
2	25	25	0.21/1.00 µs	0.25/1.00 µs	4/7	365-1002-ND	4.89 2.85 2.74	OH8900

Latching

Fig.	Operate Point* Min. / Max. (Gauss - B)	Release Point Min. / Max. (Gauss - B)	Hysteresis Min. (Gauss - B)	Supply Cur. Typ. / Max. (mA)	Digi-Key Part No.	Price Each 1 100 250	TT Electronics Part No.
1	25/170	-170/-25	100	4/7	365-1039-ND	1.70 .99 .96	OHS3175U

* South pole facing symbolized surface.

HAMLIN Hall Effect Sensors

Hamlin's Hall Effect Sensor technology offers unique design benefits. In applications where high speed switching is required, speeds of up to 10KHz can be reached. The component package is small compared with other sensing technologies and the sensors can be specified with either a digital or analogue output. **Operating Temperature:** -40°C - 100°C

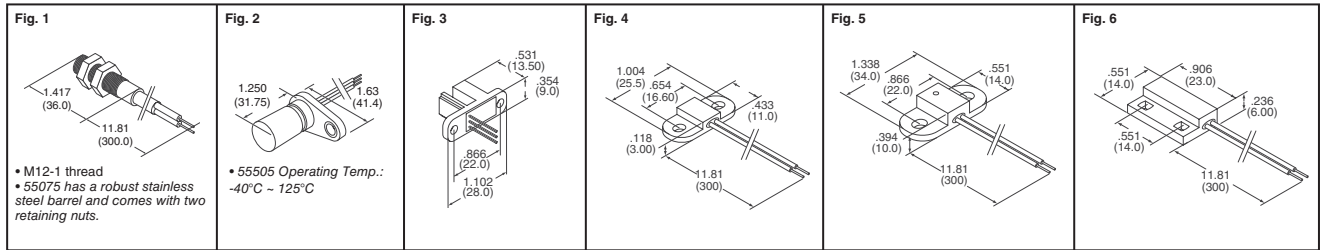


Fig.	Supply Voltage (VDC)	Output Current	Terminal Type	Features	Digi-Key Part No.	Price Each 1 10 50	Hamlin Part No.
1	4.75 - 25.2	20mA	24AWG Wires	Geartooth	55075-00-02-A-ND	20.33 17.00 13.86	55075-00-02-A
2	4.75 - 25.2	20mA	24AWG Wires	Geartooth	55050-00-02-A-ND	15.88 13.44 11.24	55050-00-02-A
3	3.8 - 24	20mA	PC Mount	Ferrous Vane	55085-3M-00-0-ND	6.44 5.46 4.56	55085-3M-00-0
4	3.8 - 24	10mA	24AWG Wires	Mini PNL MNT	55100-3H-02-A-ND	5.24 4.44 3.71	55100-3H-02-A
5	3.8 - 24	10mA	24AWG Wires	LED PNL MNT	55110-3H-02-A-ND	6.91 5.85 4.90	55110-3H-02-A
6	3.8 - 24	20mA	24AWG Wires	Flange MNT	55140-3H-02-A-ND	5.10 4.32 3.61	55140-3H-02-A

Panasonic Hall Effect Sensors

Lower power consumption and higher sensitivity over previous versions.

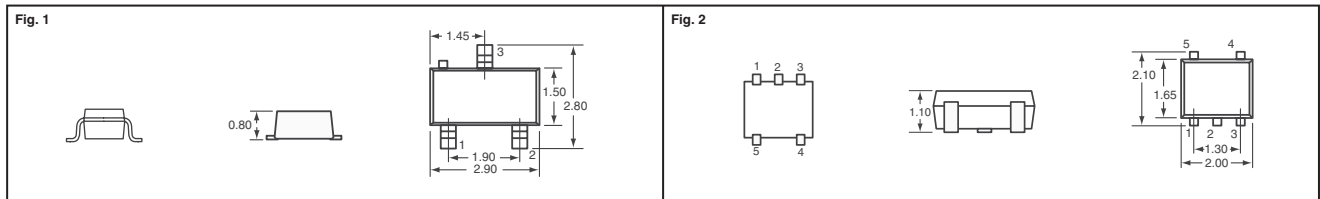


Fig.	Supply Voltage (VDC)	Output Current (mA)	Output Type	Polarity	Package	Digi-Key Part No.	Cut Tape Price Each 1 10 100	Digi-Key Part No.	Tape and Reel Pricing 3,000	Panasonic Part No.
1	2.5 - 3.5	30	Open Drain	Unipolar	Mini-3	AN48800A-NLCT-ND	.83 .69 .56	AN48800A-NLTR-ND	359.37/M	AN48800A-NL
	2.5 - 3.5	15	Open Drain	Unipolar†	Mini-3	AN48820A-NLCT-ND	.83 .69 .56	AN48820A-NLTR-ND	359.37/M	AN48820A-NL
2	2.5 - 3.5	15	CMOS	Unipolar	S-Mini-5	AN48810B-NLCT-ND	.83 .69 .56	AN48810B-NLTR-ND	359.37/M	AN48810B-NL
	2.5 - 3.5	15	CMOS	Unipolar†	S-Mini-5	AN48830B-NLCT-ND	.97 .81 .65	AN48830B-NLTR-ND	418.91/M	AN48830B-NL
	2.5 - 3.5	15	CMOS	Bipolar	S-Mini-5	AN48840B-NLCT-ND	1.02 .86 .69	AN48840B-NLTR-ND	442.86/M	AN48840B-NL
	2.5 - 5.25	—	CMOS	Bipolar	S-Mini-5	AN48841B-NLCT-ND	.97 .81 .65	AN48841B-NLTR-ND	418.91/M	AN48841B-NL

† Polarity Independent

MAGNASPHERE® Magnetic Switches

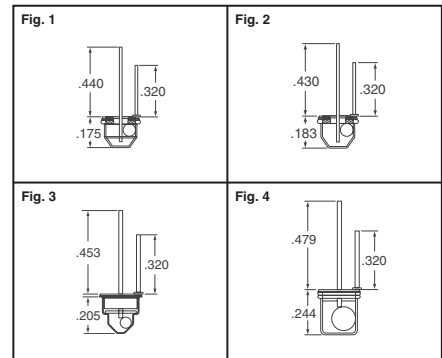
Dimensions in Inches

The patented, award-winning MAGNASPHERE switch represents the first break-through in two-wire magnetic switch technology since the introduction of the reed switch. Originally designed as a replacement for the reed switch used in security systems, the MAGNASPHERE switch exhibits a wide range of characteristics that make it an ideal solution for many industrial and commercial OEM applications.

Features:

- Hermetically sealed contacts
- Magnetic anti-tamper
- High voltage EMI resistance
- Wide operating temperature range
- Intrinsically safe for use in volatile atmospheres
- Available in form A (normally open) and form B (normally closed)

Fig.	Air Gap Distance (Inches)				Digi-Key Part No.	Price Each 1 10 25 100	Magnaspere Part No.
	NEO 35 Magnet (Typ.)		Ferrous Metal (Typ.)				
	Open	Closed	Open	Closed			
Normally Open							
1	1.313	.818	.089	.053	735-1000-ND	4.72 3.63 3.53 3.32	MG-A2-1.5-N
	.897	.652	.061	.034	735-1001-ND	4.72 3.63 3.53 3.32	MG-A2-3.0-N
	.643	.569	.048	.030	735-1002-ND	4.72 3.63 3.53 3.32	MG-A2-5.0-N
2	.713	.577	—	—	735-1003-ND	4.72 3.71 3.60 3.42	MG-A2-5.5-TW
Normally Closed							
3	.626	.916	—	—	735-1004-ND	4.72 3.92 3.82 3.63	MG-B2-20-S
4	.904	.991	.128	.152	735-1005-ND	4.72 4.11 4.00 3.85	MG-B2-6.5-L
	.943	1.015	.116	.138	735-1006-ND	4.72 4.11 4.00 3.85	MG-B2-8.0-L
	.843	.902	.111	.131	735-1007-ND	4.72 4.11 4.00 3.85	MG-B2-10-L



Free shipping on orders over £50! All prices are in British pound sterling and include duties.

2238 (UK091)

uk.digikey.com — FREEPHONE: 0-800-587-0991 • 0-800-904-7786 — FREEFAX: 0-800-587-0992 • 0-800-904-7783

Honeywell

Sensing and Control **Sensors Hall Effect Sensors**

Fig.	Supply Voltage (VDC)	Output Current	Output Type	Terminal Type	Polarity	Digi-Key Part No.	1	Price Each	50	100	T & R Pricing 1,000#	Honeywell Part No.
1	3.8 - 30	10mA	Sink	Lead Wires	—	480-1992-ND	4.34	2.73	2.59	—	—	SR16C-J6
2	4.5 - 24	40mA	Sink	Lead Wires	—	480-1990-ND	18.79	13.63	13.16	—	—	4AV16F
3	3.8 - 30	20mA	Sink	Lead Wires	Unipolar	480-1991-ND	4.70	2.95	2.80	—	—	SR13C-A1
4	3.8 - 30	40mA	Sink	Lead Wires	—	480-1993-ND	5.89	3.77	3.54	—	—	SR17C-J6
5	3.8 - 30	20mA	Sink	SOT89	Bipolar	480-2011-1-ND	1.20	1.03	.86	511.83	—	SS511AT
	3.8 - 30	20mA	Sink		Unipolar	480-2012-1-ND	1.05	.90	.75	431.97	—	SS541AT
	3.8 - 30	20mA	Sink		Bipolar Latch	480-2013-1-ND	1.20	1.03	.86	511.83	—	SS561AT
	4.5 - 24	20mA	Sink		Bipolar	480-2010-1-ND	1.92	1.65	1.38	795.70	—	SS51T
6	4.5 - 24	40mA	Sink	Lead Wires	—	480-2021-ND	16.42	11.91	11.50	—	—	1GT101DC
7	8 - 16	10mA	Source	PC Board	Ratiometric Linear	480-2007-ND	9.51	6.47	6.13	—	—	91SS12-2
	6.6 - 12.6	1mA	Sink/Source		Ratiometric	480-2008-ND	12.94	8.83	8.39	—	—	SS94A1
	6.6 - 12.6	1mA	Sink/Source		Ratiometric	480-2009-ND	13.61	9.72	9.24	—	—	SS94A1F
	4.5 - 24	20mA	Sink		Bipolar	480-1998-ND	.81	.70	.61	—	—	SS40A
8	4.5 - 24	20mA	Sink	PC Board	Bipolar	480-1999-ND	1.14	.57	.53	—	—	SS41
	3.8 - 30	20mA	Sink		Bipolar	480-2000-ND	1.97	1.11	1.08	—	—	SS411A
	3.8 - 30	20mA	Sink		Unipolar	480-2001-ND	1.20	.62	.57	—	—	SS441A
	3.8 - 30	20mA	Sink		Unipolar	480-2002-ND	1.31	.68	.63	—	—	SS443A
	3.8 - 30	20mA	Sink		Bipolar Latch	480-2003-ND	1.20	.62	.57	—	—	SS461A
	3.8 - 30	20mA	Sink		Bipolar Latch	480-2004-ND	1.06	.55	.51	—	—	SS466A
	4.5 - 10.5	1.5mA	Sink/Source		Ratiometric	480-2005-ND	1.55	.82	.79	—	—	SS495A
	3 - 6.5	1.5mA	Source		Analog	480-2006-ND	1.25	.67	.61	—	—	SS49E
9	4.5 - 24	20mA	Sink	Lead Wires	Unipolar	480-2014-ND	14.02	10.02	9.52	—	—	103SR13A-1

◆ RoHS Compliant ‡ For Tape and Reel part number, change 1-ND to 2-ND.

Temperature — RoHS Compliant

Fig.	Supply Voltage	Supply Current	Temperature Sensing Range	Length (Inch)	Termination	Packaging Type	Digi-Key Part No.	1	Price Each	50	100	Honeywell Part No.
8	10.0 VDC	1mA	-40°C - 150°C	—	SIP	Plastic Case	480-2017-ND	1.76	.98	.92	—	TD5A
9	10.0 VDC	1mA	—	1.5	Lead Wires	3/8-24 UNF-2A	480-2016-ND	16.97	12.31	11.89	—	TD4A

Magnet — RoHS Compliant

Fig.	Outside Diameter mm (Inch)	Thread Dim.	Length Inch (mm)	Digi-Key Part No.	1	Price Each	50	100	Honeywell Part No.
10	7.9 (0.31)	8-32	0.67 (17.0)	480-2015-ND	7.42	4.80	4.64	—	102MG11

Current Sensor — RoHS Compliant

Fig.	Supply Voltage (VDC)	Output Current	Output Type	Terminal Type	Polarity	Sensor Type	Current Type	Response Time	Digi-Key Part No.	1	Price Each	50	100	Honeywell Part No.
11	5.4 - 13.2	—	Voltage	PCB	—	Open Loop Linear	AC or DC	3µs	480-1994-ND	12.71	8.67	8.24	—	CSLA2CD
12	4.5 - 10.5	1.5mA	Voltage	PCB	Positive	Open Loop	DC	50µs	480-1995-ND	6.54	4.36	4.09	—	CSLH3A45
13	4.75 - 5.25	12.5mA	Current	PCB	—	Closed Loop Linear	AC or DC	≤0.2µs	480-1996-ND	15.35	10.97	10.42	—	CSNX25

Switch — RoHS Compliant

Fig.	Supply Voltage (VDC)	Output Current	Output Type	Transistor State	Digi-Key Part No.	1	Price Each	50	100	Honeywell Part No.
14	4.5 - 24.0	10mA	Sink	Normally Off	480-2018-ND	6.27	4.18	3.92	—	VX10

MR — RoHS Compliant

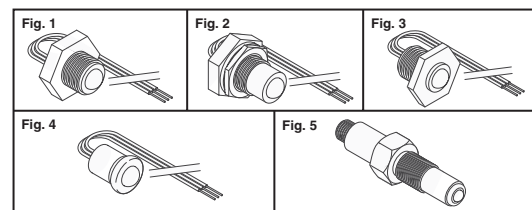
Fig.	Supply Voltage (VDC)	Output Current	Output Type	Polarity	Operate Point	Release Point @25°C	Digi-Key Part No.	1	Price Each	50	100	Honeywell Part No.
15	3.8 - 30.0	20mA	Sink	Omnipolar	1.5 mT	1.1 mT	480-1997-ND	2.50	1.45	1.37	—	2SS52M

Oxygen Sensors and Oxygen Sensor Interface Boards — RoHS Compliant

Fig.	Supply Voltage	Oxygen Sensors Supply Current	Oxygen Range	Gas Flow Rate	Output Signal	Digi-Key Part No.	1	Price Each	50	100	Honeywell Part No.	
Oxygen Sensors												
17	—	—	2 - 3000 mbar	0 - 10 m/sec.	—	480-2088-ND	142.80	113.89	—	—	GMS10RVS	
16	—	—	2 - 3000 mbar	0 - 20 m/sec.	—	480-2089-ND	192.68	147.49	—	—	KGZ-10SP	
18	—	—	2 - 3000 mbar	0 - 20 m/sec.	—	480-2090-ND	181.87	144.93	—	—	KGZ-10	
19	24.0 VDC ±5%	500mA	0 - 100%	0 - 10 m/sec.	1 - 10 Volt	480-2092-ND	1299.44	1137.02	—	—	MF010-0-LC2	
			0 - 25%	0 - 10 m/sec.	4 - 20mA	480-2093-ND	1299.44	1137.02	—	—	MF010-0-LC3	
			0 - 100%	0 - 10 m/sec.	4 - 20mA	480-2094-ND	1299.44	1137.02	—	—	MF010-0-LC4	
Oxygen Sensor Interface Boards												
—	24.0 VDC ±20%	—	0 - 25%	—	0 - 10 Volt	480-2095-ND	402.83	335.70	—	—	DE800.V.1	
			0 - 100%	—	0 - 10 Volt	480-2096-ND	396.88	330.74	—	—	DE800.V.2	
			0 - 25%	—	4 - 20mA	480-2097-ND	402.84	335.70	—	—	DE800.A.1	
			0 - 100%	—	4 - 20mA	480-2098-ND	402.84	335.70	—	—	DE800.A.2	
—	±15.0 VDC ±10%	—	0 - 25%	—	0 - 10 Volt	480-2099-ND	253.45	204.40	—	—	ELECDIT.V.1	
			0 - 100%	—	0 - 10 Volt	480-2100-ND	295.34	241.29	—	—	ELECDIT.V.2	
—	24.0 VDC ±20%	—	0 - 25%	—	0 - 10 Volt	480-2103-ND	301.24	246.12	—	—	OXYMAC50.V.1	
			0 - 100%	—	0 - 10 Volt	480-2104-ND	301.24	246.12	—	—	OXYMAC50.V.2	
			0 - 25%	—	4 - 20mA	480-2105-ND	301.24	246.12	—	—	OXYMAC50.A.1	
			0 - 100%	—	4 - 20mA	480-2106-ND	301.24	246.12	—	—	OXYMAC50.A.2	

Liquid Level Sensors

Fig.	Operating Temperature	Description	Level Type	Digi-Key Part No.	1	Price Each	10	100	Honeywell Part No.
1	-25°C - 80°C -40°C - 125°C	Screw In, M12 Thread, Plastic	1	480-2022-ND	23.20	18.91	16.25	—	LLE101000
				480-2026-ND	33.27	27.30	23.89	—	LLE101101
2	-25°C - 80°C -40°C - 125°C	Screw In, M12 Thread, Plastic	2	480-2023-ND	23.20	18.91	16.25	—	LLE102000
				480-2027-ND	31.94	26.21	22.93	—	LLE102101
3	-25°C - 80°C -40°C - 125°C	Screw In, M12 Thread, Plastic	3	480-2024-ND	23.89	19.47	16.72	—	LLE103000
				480-2028-ND	33.93	27.85	24.37	—	LLE103101
4	-25°C - 80°C -40°C - 125°C	Push In, Plastic	5	480-2025-ND	23.20	18.91	16.25	—	LLE105000
				480-2029-ND	31.94	26.21	22.93	—	LLE105101
5	-40°C - 125°C -40°C - 125°C	Industrial High Air, Stainless Industrial Low Air, Stainless	5	480-2030-ND	120.65	102.92	92.27	—	LLN8651721
				480-2031-ND	120.65	102.92	92.27	—	LLN865172-2



N

Free shipping on orders over £50! All prices are in British pound sterling and include duties.

uk.digikey.com — FREEPHONE: 0-800-587-0991 • 0-800-904-7786 — FREEFAX: 0-800-587-0992 • 0-800-904-7783

(UK091) 2239