

Fig.	Output Type	Slot Width Inch (mm)	Lead Spacing Inch (mm)	Digi-Key Part No.	1	Price Each 100	250	TT Electronics Part No.
<b>Slotted Optical</b>								
1	Rbe Phototransistor	.190 (4.83)	.320 (8.13)	365-1008-ND	1.56	.91	.88	PB620
2	Phototransistor	.150 (3.81)	.300 (7.62)	365-1017-ND	1.58	.93	.89	OPB804
3	Phototransistor	.20 (5.08)	—	365-1260-ND	4.04	2.36	2.26	OPB817Z
4	Phototransistor	.200 (5.08)	.400 (10.16)	365-1264-ND	5.51	3.21	3.09	OPB917BZ
5	Phototransistor	.100 (2.54)	.300 (7.62)	365-1019-ND	2.18	1.28	1.22	OPB818
6	Photologic	.125 (3.18)	—	365-1021-ND	2.02	1.18	1.14	OPB848
				365-1234-ND	5.15	3.00	2.89	OPB941W51Z
				365-1265-ND	5.13	3.00	2.88	OPB930W55Z
7	Photologic	.190 (4.83)	.320 (8.13)	365-1090-ND	2.02	1.18	1.14	OPB625
		.125 (3.18)		365-1111-ND	3.49	2.04	1.97	OPB970N11
		.125 (3.18)		365-1113-ND	3.08	1.80	1.73	OPB973N51
8	Photologic	.125 (3.18)	.320 (8.13)	365-1087-ND	2.84	1.66	1.59	OPB460L11
9	Phototransistor	.125 (3.18)	—	365-1341-ND	3.88	2.26	2.18	OPB880P51Z
				365-1246-ND	4.52	2.63	2.53	OPB900T55Z
				365-1235-ND	3.86	2.25	2.16	OPB891T51Z
				365-1401-ND	3.75	2.19	2.11	OPB829ZC
11	Phototransistor	.205 (5.21)	.380 (9.65)	365-1105-ND	1.94	1.14	1.09	OPB855
				365-1335-ND	4.17	2.44	2.34	OPB830W55Z
				365-1337-ND	5.33	3.11	2.99	OPB840W11Z
				365-1101-ND	2.92	1.70	1.64	OPB840L11
				365-1338-ND	4.20	2.44	2.36	OPB841W55Z
13	Phototransistor	.125 (3.18)	.220 (5.59)	365-1106-ND	3.09	1.81	1.74	OPB85N11
14	Phototransistor	.160 (4.06)	.300 (7.62)	365-1099-ND	1.68	.99	.95	OPB825
15	Phototransistor	.150 (3.81)	.275 (6.99)	365-1089-ND	1.56	.91	.88	OPB610
16	Photologic	.125 (3.18)	.320 (8.13)	365-1110-ND	3.57	2.09	2.01	OPB960T11
				365-1112-ND	2.93	1.72	1.65	OPB970T55
17	Photologic	.125 (3.18)	—	365-1402-ND	4.65	2.71	2.61	OPB891T51Z
		.125 (3.18)	—	365-1403-ND	4.57	2.67	2.57	OPB990T51Z
<b>Slotted Optical Flag</b>								
18	Transistor	.080 (2.03)	.275 (6.99)	365-1009-ND	3.88	2.26	2.18	OPB680
<b>Wide Gap Slotted Optical</b>								
16	Phototransistor	.375 (9.53)	.570 (14.48)	365-1094-ND	2.36	1.38	1.33	OPB800L55
				365-1095-ND	2.42	1.41	1.36	OPB810L51
				365-1097-ND	2.32	1.36	1.30	OPB811L55
				365-1331-ND	4.09	2.39	2.30	OPB810W51Z
19	Phototransistor	.375 (9.53)	—	365-1333-ND	3.91	2.28	2.20	OPB811W55Z
20	Phototransistor	.375 (9.53)	—	365-1400-ND	4.20	2.44	2.36	OPB815WZ
21	Phototransistor	.126 (3.2)	—	365-1262-ND	5.65	3.29	3.17	OPB819Z

**Sensors**

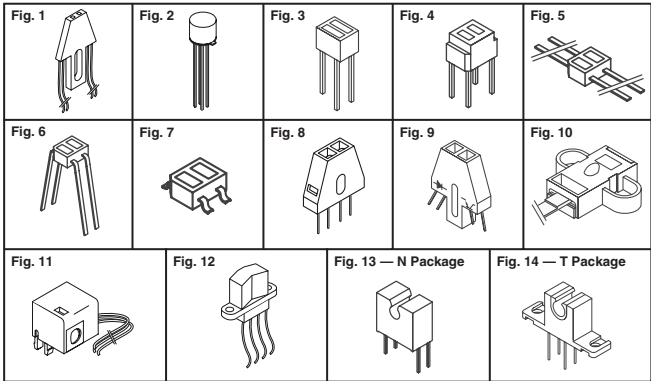


Fig.	Continuous Forward Curr. (mA)	Reverse DC Voltage	V(BR)CEO Voltage (Min.)	Min. Lead Wire Length Inch (mm)	Digi-Key Part No.	1	Price Each 100	250	TT Electronics Part No.	
5	50	5.0	30	.374 (9.5)	365-1407-ND		.36	.22	.21	OPB609AX
6	50	5.0	30	.370 (9.4)	365-1408-ND		.36	.22	.21	OPB609RA
7	50	5.0	30	.038 (.95)	365-1409-1-ND†		.62	.40	.34	OPB609GU
					365-1409-2-ND†		2.75	.88/1.00		
8	40	2.0	30	.15 (3.81)	365-1014-ND*		2.29	1.34	1.29	OPB742
					365-1015-ND*		2.85	1.67	1.60	OPB745
9	40	2.0	30	.165 (4.19)	365-1091-ND		2.64	1.54	1.49	OPB704

‡ Cut Tape † Tape and Reel \* Collector Emitter Voltage: OPB742: 30V; OPB745: 15V

**Reflective Color Sensor**

Fig.	Continuous Forward Current (mA)	Supply Voltage VDD	Digi-Key Part No.	1	Price Each 100	250	TT Electronics Part No.
10	30	5	365-1378-ND	18.09	10.53	10.13	OPB780Z

**Photologic® Reflective Object Sensors**

Fig.	Operating DC Supply Voltage	Minimum Lead Wire Length Inch (mm)	Digi-Key Part No.	1	Price Each 100	250	TT Electronics Part No.
11	4.75 - 5.25	18.0 (457.2)	365-1255-ND	6.79	3.95	3.81	OPB716Z
12	4.75 - 5.25	12.0 (304.8)	365-1258-ND	7.07	4.12	3.96	OPB707Z

**Liquid Tube Sensors**

Fig.	Continuous Forward Current (mA)	Reverse DC Voltage	V(BR)CEO Voltage (Min.)	Min. Lead Wire Length Inch (mm)	Digi-Key Part No.	1	Price Each 100	250	TT Electronics Part No.
13	50	2.0	30	33 (8.38)	365-1236-ND	5.03	2.94	2.82	OPB350
				33 (8.38)	365-1237-ND	5.37	3.13	3.01	OPB350L187
				33 (8.38)	365-1238-ND	5.37	3.13	3.01	OPB350L250
				24	365-1405-ND	5.37	3.13	3.01	OPB350L062
14	50	2.0	24 (610)	24 (610)	365-1239-ND	7.01	4.09	3.93	OPB350W187Z
				25	365-1240-ND	7.01	4.09	3.93	OPB350W250Z
				24 (610)	365-1406-ND	7.01	4.09	3.93	OPB350W062Z

**Reflective Object Sensors**

Fig.	Continuous Forward Curr. (mA)	Reverse DC Voltage	V(BR)CEO Voltage (Min.)	Min. Lead Wire Length Inch (mm)	Digi-Key Part No.	1	Price Each 100	250	TT Electronics Part No.
1	100	2.0	25	18.0 (457.2)	365-1399-ND	8.97	5.22	5.02	OPB700ALZ
				4.0 (101.6)	365-1364-ND	7.93	4.62	4.44	OPB700Z
				18.0 (457.2)	365-1253-ND	10.36	6.04	5.81	OPB701ALZ
2	50	3.0	30	.50 (12.7)	365-1012-ND	6.07	3.54	3.40	OPB710
3	50	2.0	30	45 (11.43)	365-1093-ND	2.68	1.57	1.51	OPB707A
				45 (11.43)	365-1092-ND	2.08	1.22	1.17	OPB706A
4	50	2.0	30	.180 (4.57)	365-1088-ND	1.26	.74	.71	OPB606A

Digi-Reel® Most SMT cutdown parts are available on a Digi-Reel®. For Digi-Reel part number, change 1-ND to 6-ND or CT-ND to DKR-ND. See Digi-Key® Services on page 2 for additional information.

**Free shipping on orders over £50! All prices are in British pound sterling and include duties.**