

Infrared Emitters

Fig.	Forward Voltage (V)	Forward Current Max. (mA)	Optical Power Output (mW/sr)	Peak Wave-length (nm)	View Angle (°)	Digi-Key Part No.	Cut Tape Price Each			Tape and Reel		Osram Part No.
							1	10	100	Qty.	Pricing	
2	1.5	100	60 typ.	950	36	475-1103-ND	.35	.28	.26	—	—	SFH4502
	1.5	100	250 typ.	950	8	475-1104-ND	.35	.28	.26	—	—	SFH4503
	1.5	100	180 typ.	850	6	475-1200-ND	.44	.35	.32	—	—	SFH4550
	1.5	100	100 typ.	880	16	475-1111-ND	.28	.23	.20	—	—	SFH484
	1.5	100	60 typ.	880	40	475-1112-ND	.28	.23	.20	—	—	SFH485
	1.3	100	40 min.	950	34	475-1458-ND	.25	.20	.18	—	—	SFH 415 U
	1.3	100	63 min.	950	8	475-1461-ND	.33	.27	.25	—	—	SFH 4511
	1.5	100	80 min.	880	16	475-1468-ND	.35	.28	.26	—	—	SFH 484-2
	1.5	100	25 min.	880	40	475-1469-ND	.35	.28	.26	—	—	SFH 485-2
1.5	100	40 min.	880	22	475-1471-ND	.28	.23	.20	—	—	SFH 486	
4	1.3	100	6.3 min.	950	40	475-1086-ND	.32	.26	.24	—	—	SFH409
	1.5	100	40 min.	850	26	475-1460-ND	.44	.35	.32	—	—	SFH 4350
5	1.5	100	85 typ.	950	20	475-1105-1-ND	.48	.40	.32	1,000	239.58	SFH4505
	1.5	100	25 min.	880	30	475-1109-1-ND	.44	.37	.30	1,000	217.80	SFH4585
6	1.5	100	85 typ.	950	20	475-1101-1-ND	.48	.40	.32	—	—	SFH4500
7	1.5	100	3.15 min.	880	80	475-1470-ND	.39	.32	.29	—	—	SFH 485 P
14	4-18	50	—	950	10	475-1478-ND	1.73	1.39	1.26	—	—	SFH 5840
16	1.2	60	2.5 min.	950	18	475-1087-ND	.25	.20	.18	—	—	SFH4110
17	1.5	60	0.4 min.	950	60	475-1364-ND	.29	.24	.22	—	—	IRL 80A
	1.5	100	1.0 min.	880	50	475-1365-ND	.36	.29	.27	—	—	IRL 81A
20	1.5	100	10 min.	850	120	475-1459-1-ND	.65	.55	.44	2,000	326.70/M	SFH 4250-Z
23	1.5	100	10 min.	850	120	475-2568-1-ND	.70	.59	.47	2,000	348.48/M	SFH 4255-Z
26	2.4	100	40 min.	850	30	475-1243-1-ND	.85	.71	.57	2,000	424.71/M	SFH4258-Z
27	1.5	100	10 typ.	950	120	475-1240-1-ND	.47	.40	.32	2,000	234.50/M	SFH4205-Z
28	1.5	200	40 min.	880	12	475-1110-ND	.99	.79	.72	—	—	SFH480
	1.3	300	20 min.	950	12	475-1454-ND	1.03	.83	.75	—	—	SFH 400
29	1.5	100	48 typ.	950	65	475-1267-1-ND	.70	.59	.47	3,000	348.48/M	SFH 4203-Z
30	1.8	100	170 typ.	850	120	475-1233-1-ND	7.62	6.36	5.09	800	3049.20	SFH4230
	1.8	100	200 typ.	940	60	475-1272-1-ND	7.62	6.36	5.09	800	3049.20	SFH 4231
31	1.5	100	40 typ.	850	40	475-1260-1-ND	.78	.66	.53	2,000	392.04/M	SFH 4655-Z
	1.5	100	16 min.	950	40	475-1462-1-ND	.63	.53	.43	2,000	315.81/M	SFH 4600-Z
	1.5	100	16 min.	950	40	475-2258-1-ND	.63	.53	.43	2,000	315.81/M	SFH 4605-Z
	1.5	100	10 min.	880	40	475-1463-1-ND	.63	.53	.43	2,000	315.81/M	SFH 4680-Z
	1.5	100	10 min.	880	40	475-1464-1-ND	.63	.53	.43	2,000	315.81/M	SFH 4685-Z
	1.5	100	16 min.	850	40	475-2569-1-ND	.78	.66	.53	2,000	392.04/M	SFH 4650-Z
32	1.8	1000	630 min.	850	60	475-1270-ND	72.60	58.08	52.64	—	—	SFH 4730
	1.8	1000	800 min.	850	60	475-1271-ND	72.60	58.08	52.64	—	—	SFH 4740
33	1.5	100	4 min.	950	120	475-1343-1-ND	.76	.64	.51	2,000	381.15/M	SFH 4200-Z
34	1.3	300	20 min.	950	30	475-1455-ND	1.07	.86	.78	—	—	SFH 401
35	1.3	300	4 min.	950	80	475-1397-ND	1.25	1.00	.91	—	—	LD 242-2/3
36	1.3	100	1.0 min.	950	160	475-1456-ND	.32	.26	.24	—	—	SFH 4010-Z
37	1.25	40	2.5 min.	950	32	475-1457-ND	1.00	.81	.73	—	—	SFH 405
38	1.3	300	25 min.	950	10	475-1465-ND	2.89	2.32	2.10	—	—	SFH 4811
	1.5	200	40 min.	880	10	475-1473-ND	1.36	1.09	.99	—	—	SFH 4881
39	1.3	300	2.5 min.	950	70	475-1466-ND	2.89	2.32	2.10	—	—	SFH 4813
	1.5	200	4 min.	880	70	475-1474-ND	1.36	1.09	.99	—	—	SFH 4883
40	1.5	200	5 min.	880	60	475-1467-ND	1.10	.89	.81	—	—	SFH 482-2/3
41	2	50	0.63 min.	660	100	475-1472-ND	2.89	2.32	2.10	—	—	SFH 4860
42	5	1.3	—	940	—	475-1475-ND	.73	.59	.53	—	—	SFH 5110-38
43	4-18	50	—	950	24	475-1476-ND	.45	.36	.33	—	—	SFH 5140 F
44	5	3	—	940	120	475-1477-ND	.86	.69	.63	—	—	SFH 5410-38-Z

§ Bulk ◊ At If = 100mA, tp = 20ms ◆ RoHS Compliant ‡ For Tape and Reel part number, change 1-ND to 2-ND.

Ambient Light Sensor

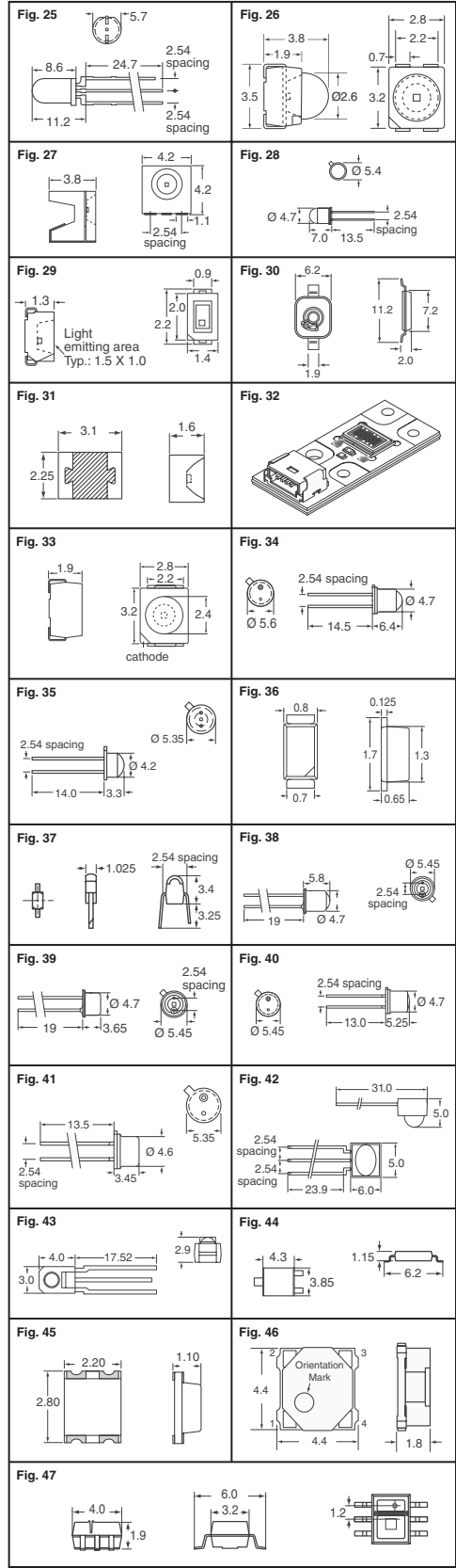
Fig.	Supply Voltage (V)	Current Consumption (µA)	Spectral Sensitivity (nm)	Digi-Key Part No.	Cut Tape Price Each			Tape and Reel		Osram Part No.	
					1	10	100	Qty.	Pricing		
45	6	420	475 - 650	475-1259-1-ND	1.42	1.18	.95	475-1259-2-ND	2,000	707.85/M	SFH 5711-2/3-Z

Orientation Sensor

Fig.	Supply Voltage (V)	Current Consumption (µA)	Tilt Angle Low	Tilt Angle High	Digi-Key Part No.	Cut Tape Price Each			Tape and Reel		Osram Part No.	
						1	10	100	Qty.	Pricing		
46	3.6	50	70° - 200°	250° - 20°	475-1269-1-ND	1.63	1.37	1.09	475-1269-2-ND	800	653.40	SFH 7710

Schmitt-Trigger Reflective Interrupter

Fig.	Forward Voltage (V)	Forward Current (mA) Max.	Supply Voltage (V)	Output Current (mA) Max.	Digi-Key Part No.	Cut Tape Price Each			Tape and Reel		Osram Part No.	
						1	10	100	Qty.	Pricing		
47	1.25	50	4-18	16	475-1239-1-ND	1.13	.95	.76	475-1239-2-ND	1,000	566.28	SFH9240-Z



Digi-Reel® Most SMT cutdown parts are available on a Digi-Reel®. For Digi-Reel part number, change 1-ND to 6-ND or CT-ND to DKR-ND. See Digi-Key® Services on page 2 for additional information.

Free shipping on orders over £50! All prices are in British pound sterling and include duties.

2230 (UK091) uk.digikey.com — FREEPHONE: 0-800-587-0991 • 0-800-904-7786 — FREEFAX: 0-800-587-0992 • 0-800-904-7783