

# LITEON Optoisolators

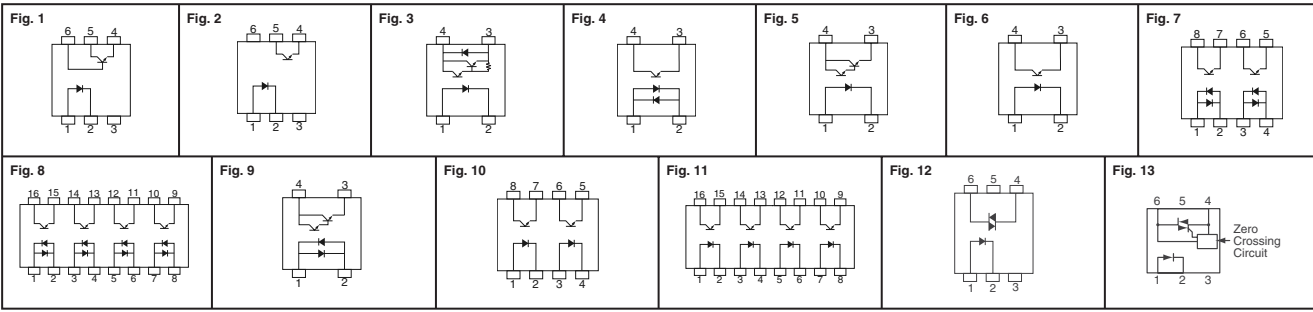


Fig.	Isolation Volt.	Current Transfer Ratio Min. Max.	Typ. VCEO (Max.)	$t_{on}/t_{off}$ (µsec.)	Pkg. Type	Digi-Key Part No.	Pricing 1 10 100	Lite-On Part No.	
1	2500	20%	30	3.0/3.0	DIP	160-1300-5-ND	.23 1.76 13.23	4N25	
	2500	20%	30	3.0/3.0	SMT	160-1301-5-ND	.25 1.85 13.89	4N25S	
	1500	20%	30	3.0/3.0	DIP	160-1302-5-ND	.24 1.79 13.39	4N26	
	1500	20%	30	3.0/3.0	SMT	160-1303-5-ND	.25 1.85 13.89	4N26S	
	3550	100%	30	3.0/3.0	DIP	160-1304-5-ND	.23 1.76 13.23	4N35	
	3550	100%	30	3.0/3.0	SMT	160-1305-5-ND	.23 1.76 13.23	4N35S	
	1500	100%	30	3.0/3.0	DIP	160-1306-5-ND	.23 1.76 13.23	4N37	
	1500	100%	30	3.0/3.0	SMT	160-1307-5-ND	.25 1.85 13.89	4N37S	
	5000	40% 80%	70	5.0/5.0	DIP	160-1308-5-ND	.23 1.76 13.23	CNY17-1	
	5000	40% 80%	70	5.0/5.0	SMT	160-1309-5-ND	.25 1.85 13.89	CNY17-1S	
	5000	63% 125%	70	5.0/5.0	DIP	160-1310-5-ND	.32 2.40 17.97	CNY17-2	
	5000	63% 125%	70	5.0/5.0	SMT	160-1311-5-ND	.36 2.72 20.42	CNY17-2S	
	5000	100% 200%	70	5.0/5.0	DIP	160-1312-5-ND	.23 1.76 13.23	CNY17-3	
	5000	100% 200%	70	5.0/5.0	SMT	160-1313-5-ND	.25 1.85 13.89	CNY17-3S	
	5000	160% 320%	70	5.0/5.0	DIP	160-1314-5-ND	.23 1.76 13.23	CNY17-4	
5000	160% 320%	70	5.0/5.0	SMT	160-1315-5-ND	.25 1.85 13.89	CNY17-4S		
2	5000	40% 80%	70	5.0/5.0	DIP	160-1316-5-ND	.23 1.76 13.23	CNY17F-1	
	5000	40% 80%	70	5.0/5.0	SMT	160-1317-5-ND	.25 1.85 13.89	CNY17F-1S	
	5000	63% 125%	70	5.0/5.0	DIP	160-1318-5-ND	.23 1.76 13.23	CNY17F-2	
	5000	63% 125%	70	5.0/5.0	SMT	160-1319-5-ND	.25 1.85 13.89	CNY17F-2S	
	5000	100% 200%	70	5.0/5.0	DIP	160-1320-5-ND	.24 1.79 13.39	CNY17F-3	
	5000	100% 200%	70	5.0/5.0	SMT	160-1321-5-ND	.25 1.85 13.89	CNY17F-3S	
	5000	160% 320%	70	5.0/5.0	DIP	160-1322-5-ND	.23 1.76 13.23	CNY17F-4	
	5000	160% 320%	70	5.0/5.0	SMT	160-1323-5-ND	.25 1.85 13.89	CNY17F-4S	
	5000	20%	30	2.8/4.5	SMT	160-1327-5-ND	.25 1.85 13.89	H11A2S	
	5000	20%	300	5.0/5.0	DIP	160-1328-5-ND	.55 4.14 31.04	H11D1	
	5000	20%	300	5.0/5.0	SMT	160-1329-5-ND	.57 4.23 31.69	H11D1S	
	3	3750	1000%	300	100/20	SMT	160-1331-1-ND	.37 3.11 24.83	LTV-352T
		3750	1000%	300	100/20	SMT	160-1331-2-ND	139.67/750	LTV-352T
		3750	20% 400%	35	4.0/3.0	SMT	160-1333-1-ND	.22 1.82 14.52	LTV-354T
	4	3750	20% 400%	35	4.0/3.0	SMT	160-1333-2-ND	81.68/750	LTV-354T
3750		600% 7500%	35	60/53	SMT	160-1335-1-ND	.17 1.36 10.89	LTV-355T	
3750		600% 7500%	35	60/53	SMT	160-1335-2-ND	70.24/750	LTV-355T	
6	3750	50% 600%	80	4.0/3.0	SMT	160-1337-1-ND	.17 1.36 10.89	LTV-356T	
	3750	50% 600%	80	4.0/3.0	SMT	160-1337-2-ND	61.26/750	LTV-356T	
	3750	50% 600%	35	4.0/3.0	SMT	160-1339-1-ND	.17 1.36 10.89	LTV-357T	
7	3750	50% 600%	35	4.0/3.0	SMT	160-1339-2-ND	61.26/750	LTV-357T	
	5000	40% 320%	70	2.0/2.0	DIP	160-1340-5-ND	.23 1.76 13.23	LTV-702F	
	5000	40% 320%	70	2.0/2.0	SMT	160-1341-5-ND	.25 1.85 13.89	LTV-702FS	
1	5000	40% 320%	70	2.0/2.0	DIP	160-1342-5-ND	.23 1.76 13.23	LTV-702V	
	5000	20% 300%	35	4.0/3.0	DIP	160-1344-5-ND	.25 1.92 14.37	LTV-814	
4	5000	20% 300%	35	4.0/3.0	SMT	160-1345-5-ND	.26 1.98 14.87	LTV-814S	
	7	5000	20% 300%	35	4.0/3.0	DIP	160-1346-5-ND	.51 3.81 28.59	LTV-824

Fig.	Isolation Volt.	Current Transfer Ratio Min. Max.	Typ. VCEO (Max.)	$t_{on}/t_{off}$ (µsec.)	Pkg. Type	Digi-Key Part No.	Pricing 1 10 100	Lite-On Part No.
7	5000	20% 300%	35	4.0/3.0	SMT	160-1347-5-ND	.52 3.90 29.24	LTV-824S
8	5000	20% 300%	35	4.0/3.0	DIP	160-1348-5-ND	1.02 7.62 57.17	LTV-844
	5000	20% 300%	35	4.0/3.0	SMT	160-1349-5-ND	1.03 7.71 57.83	LTV-844S
4	5000	20% 80%	35	4.0/3.0	DIP	160-1350-5-ND	.29 2.18 16.34	LTV-814H
	5000	20% 80%	35	4.0/3.0	SMT	160-1351-5-ND	.30 2.27 16.99	LTV-814HS
9	5000	600% 7500%	35	60/53	DIP	160-1356-5-ND	.46 3.44 25.81	LTV-8141
	5000	600% 7500%	35	60/53	SMT	160-1357-5-ND	.46 3.51 26.30	LTV-8141S
5	5000	600% 7500%	35	60/53	DIP	160-1358-5-ND	.23 1.72 12.91	LTV-815
	5000	600% 7500%	35	60/53	SMT	160-1359-5-ND	.24 1.81 13.56	LTV-815S
6	5000	50% 600%	80	4.0/3.0	DIP	160-1360-5-ND	.18 1.37 10.29	LTV-816
	5000	50% 600%	80	4.0/3.0	SMT	160-1361-5-ND	.19 1.44 10.78	LTV-816S
10	5000	50% 600%	80	4.0/3.0	DIP	160-1362-5-ND	.36 2.72 20.42	LTV-826
	5000	50% 600%	80	4.0/3.0	SMT	160-1363-5-ND	.38 2.81 21.08	LTV-826S
11	5000	50% 600%	80	4.0/3.0	DIP	160-1364-5-ND	.73 5.45 40.84	LTV-846
	5000	50% 600%	80	4.0/3.0	SMT	160-1365-5-ND	.74 5.53 41.49	LTV-846S
6	5000	50% 600%	35	4.0/3.0	DIP	160-1366-5-ND	.18 1.37 10.29	LTV-817
	5000	50% 600%	35	4.0/3.0	SMT	160-1367-5-ND	.19 1.44 10.78	LTV-817S
10	5000	50% 600%	35	4.0/3.0	DIP	160-1368-5-ND	.36 2.72 20.42	LTV-827
	5000	50% 600%	35	4.0/3.0	SMT	160-1369-5-ND	.38 2.81 21.08	LTV-827S
11	5000	50% 600%	35	4.0/3.0	DIP	160-1370-5-ND	.73 5.45 40.84	LTV-847
	5000	50% 600%	35	4.0/3.0	SMT	160-1371-5-ND	.74 5.53 41.49	LTV-847S

◆ RoHS Compliant † Cut Tape ‡ Tape and Reel

## Triac Output Optoisolators

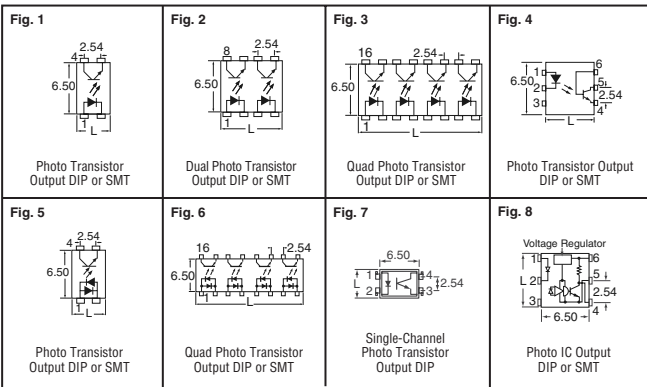


Fig.	Max. IF Isolation Voltage	Min. Trigger (mA)	Max. Blocking Voltage	IR (µA)	Package Type	Digi-Key Part No.	Price Each 1 10 100	Lite-On Part No.
12	5000	30	400V	10	DIP	160-1372-5-ND	.46 .35 .26	MOC3020
	5000	30	400V	10	SMT	160-1373-5-ND	.46 .36 .27	MOC3020S
	5000	15	400V	10	DIP	160-1374-5-ND	.46 .35 .26	MOC3021
	5000	15	400V	10	SMT	160-1375-5-ND	.46 .36 .27	MOC3021S
	5000	10	400V	10	DIP	160-1376-5-ND	.46 .35 .26	MOC3022
	5000	10	400V	10	SMT	160-1377-5-ND	.46 .36 .27	MOC3022S
13	5000	5	400V	10	DIP	160-1378-5-ND	.46 .35 .26	MOC3023
	5000	5	400V	10	SMT	160-1379-5-ND	.46 .36 .27	MOC3023S
	5000	5	600V	10	DIP	160-1722-5-ND	.36 .30 .24	MOC3063
13	5000	5	600V	10	SMT	160-1723-1-ND	.38 .32 .26	MOC3063S-TA1
	5000	5	600V	10	SMT	160-1723-2-ND	191.66/1,000	MOC3063S-TA1

† Cut Tape ‡ Tape and Reel

## LUMEX Optolinks

Specifications: • Isolation Voltage: 5000 • VCEO (Max.): 60V • Typical tr/f: 5 µs/4 µs



## Optoisolators with Photo-Transistor Output

Fig.	Current Transfer Ratio Min. Max.	Length L (mm)	Pkg.	Digi-Key Part No.	Price Each 1 10	Tape and Reel Pricing ‡	Lumex Part No.
1	60-600%	4.60	SMT	67-1613-1-ND	.37 .31	—	OC-PCT114/E-TR
2	60-600%	9.68	SMT	67-1614-1-ND	.76 .64	—	OC-PCT218/E-TR
3	60-600%	19.84	SMT	67-1618-5-ND	1.33 1.11	—	OC-PCT4116/E-TR
4	60-600%	7.30	DIP	67-1563-5-ND	.28 .24	—	OC-PCTB116/E
4	60-600%	7.30	SMT	67-1615-1-ND	.28 .24	156.67/1,000	OC-PCTB116/E-TR
5	60-600%	4.60	DIP	67-1564-5-ND	.46 .39	—	OC-PCT124/A
	60-600%	4.60	SMT	67-1616-1-ND	.46 .39	—	OC-PCT124/A-TR
6	60-600%	19.84	DIP	67-1565-5-ND	2.10 1.75	—	OC-PCT4216/A
7	200-400%	4.60	DIP	67-2044-5-ND	.19 .16	—	OC-PCT114/C

## Optoisolators with Photo-IC Output

Fig.	Isolation Voltage	Prop Delay t <sub>PHL</sub> /t <sub>PLH</sub> (µs)	Length L (mm)	Pkg.	Digi-Key Part No.	Price Each 1 10	Tape and Reel Pricing ‡	Lumex Part No.
8	5000	5/3	7.3	DIP	67-1566-5-ND	1.19 .99	—	OC-PCP116
	5000	5/3	7.3	SMT	67-1617-1-ND	1.19 .99	656.81	OC-PCP116-TR

◆ RoHS Compliant † Cut Tape ‡ For Tape and Reel part number, change 1-ND to 2-ND.

Free shipping on orders over £50! All prices are in British pound sterling and include duties.

2210 (UK091)

uk.digikey.com — FREEPHONE: 0-800-587-0991 • 0-800-904-7786 — FREEFAX: 0-800-587-0992 • 0-800-904-7783