



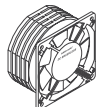
AC Axial Fans



NMB-MAT AC Axial Fans suit a wide range of applications. They force air out in a "funnel" type pattern, and are ideal when cooling a specific area such as a power supply that is surrounded by numerous components with minimum ventilation available.

Size (mm)	Bearing	Voltage	Input Power (W)	Air Flow (CFM)	Noise (dB)	Leads	Digi-Key Part No.	Price Each			NMB Technologies Part No.	Finger Guard	Price Each
								1	5	10			
60x30	Ball	115	4.0	9.18	29	22AWG, 300mm Leads	P12871-ND	12.62	10.85	9.34	2412PS-12W-B30-A00	CR221-ND	.49
80x25	Ball	115	5.0	19.77	33	22AWG, 300mm Leads	P12872-ND	13.21	11.37	9.78	3110PS-12W-B30-A00	CR229-ND	.51
80x38	Ball	115	4.0	18.0	31	.110 Terminal	P12988-ND	11.98	10.31	8.87	3115FS-12T-B00-A00	CR229-ND	.51
		115	4.0	19.4	25	22AWG, 300mm Leads	P12993-ND	12.34	10.62	9.14	3115PS-12W-B10-A00	CR229-ND	.51
		230	6.5	20.0	35	.110 Terminal	P12875-ND	11.98	10.31	8.87	3115FS-23T-B10-A00	CR229-ND	.51
		230	6.5	20.0	35	22AWG, 300mm Leads	P12879-ND	11.98	10.31	8.87	3115FS-23W-B10-A00	CR229-ND	.51
		115	6.0	22.0	36	.110 Terminal	P12873-ND	12.34	10.62	9.14	3115FS-12T-B10-A00	CR229-ND	.51
		115	6.0	22.0	36	22AWG, 300mm Leads	P12877-ND	11.98	10.31	8.87	3115FS-12W-B10-A00	CR229-ND	.51
		230	6.0	26.0	34	.110 Terminal	P12995-ND	12.34	10.62	9.14	3115PS-23T-B20-A00	CR229-ND	.51
		230	6.0	26.0	34	22AWG, 300mm Leads	P12998-ND	12.34	10.62	9.14	3115PS-23W-B20-A00	CR229-ND	.51
		115	7.0	27.0	40	.110 Terminal	P12989-ND	11.98	10.31	8.87	3115FS-12T-B20-A00	CR229-ND	.51
		115	7.0	27.0	40	22AWG, 300mm Leads	P12990-ND	11.98	10.31	8.87	3115FS-12W-B20-A00	CR229-ND	.51
		115	7.0	31.77	38	.110 Terminal	P12881-ND	12.34	10.62	9.14	3115PS-12T-B30-A00	CR229-ND	.51
		115	8.5	32.0	44	.110 Terminal	P12874-ND	12.34	10.62	9.14	3115FS-12T-B30-A00	CR229-ND	.51
		115	8.5	32.0	44	22AWG, 300mm Leads	P12878-ND	12.34	10.62	9.14	3115FS-12W-B30-A00	CR229-ND	.51
		115	7.0	32.0	38	22AWG, 300mm Leads	P12882-ND	12.34	10.62	9.14	3115PS-12W-B30-A00	CR229-ND	.51
		230	8.0	32.0	38	.110 Terminal	P12996-ND	12.34	10.62	9.14	3115PS-23T-B30-A00	CR229-ND	.51
		230	8.0	32.0	38	22AWG, 300mm Leads	P12999-ND	12.34	10.62	9.14	3115PS-23W-B30-A00	CR229-ND	.51
		230	8.0	33.0	44	.110 Terminal	P12876-ND	12.34	10.62	9.14	3115FS-23T-B30-A00	CR229-ND	.51
		230	8.0	33.0	44	22AWG, 300mm Leads	P12880-ND	12.34	10.62	9.14	3115FS-23W-B30-A00	CR229-ND	.51
92x25	Ball	115	6.0	20.0	25	.110 Terminal	P13100-ND	13.53	11.63	10.01	3610PS-12T-B10-A00	CR220-ND	.56
		115	6.0	20.0	25	22AWG, 300mm Leads	P13102-ND	13.53	11.63	10.01	3610PS-12W-B10-A00	CR220-ND	.56
		230	6.0	20.0	26	.110 Terminal	P13103-ND	13.53	11.63	10.01	3610PS-23T-B10-A00	CR220-ND	.56
		115	6.0	28.0	35	.110 Terminal	P13101-ND	13.53	11.63	10.01	3610PS-12T-B20-A00	CR220-ND	.56
		230	6.0	28.0	35	.110 Terminal	P13104-ND	13.53	11.63	10.01	3610PS-23T-B20-A00	CR220-ND	.56
		115	9.0	34.5	38	22AWG, 300mm Leads	P12884-ND	13.53	11.63	10.01	3610PS-12W-B30-A00	CR220-ND	.56
230	10.0	34.5	39	22AWG, 300mm Leads	P12886-ND	13.53	11.63	10.01	3610PS-23W-B30-A00	CR220-ND	.56		
115	9.0	34.6	38	.110 Terminal	P12883-ND	13.53	11.63	10.01	3610PS-12T-B30-A00	CR220-ND	.56		
230	10.0	34.6	39	.110 Terminal	P12885-ND	13.53	11.63	10.01	3610PS-23T-B30-A00	CR220-ND	.56		
119x25	Ball	115	7.0	53.0	30	.110 Terminal	P12887-ND	12.52	10.77	9.27	4710PS-12T-B20-A00	CR224-ND	.66
		230	8.0	53.0	30	.110 Terminal	P12889-ND	12.52	10.77	9.27	4710PS-23T-B20-A00	CR224-ND	.66
		115	11.0	70.6	38	.110 Terminal	P12888-ND	12.52	10.77	9.27	4710PS-12T-B30-A00	CR224-ND	.66
		230	11.0	70.6	38	.110 Terminal	P12890-ND	12.52	10.77	9.27	4710PS-23T-B30-A00	CR224-ND	.66
119x38	Ball	115	5.5	49.4	28	.110 Terminal	P12891-ND	12.04	10.35	8.91	4715MS-12T-B10-A00	CR224-ND	.66
		230	7.5	67.0	30	.110 Terminal	P13110-ND	12.04	10.35	8.91	4715MS-23T-B20-A00	CR224-ND	.66
		115	7.0	67.1	30	.110 Terminal	P12892-ND	12.04	10.35	8.91	4715MS-12T-B20-A00	CR224-ND	.66
		115	10.0	70.0	33	.110 Terminal	P12895-ND	12.04	10.35	8.91	4715FS-12T-B10-D00	CR224-ND	.66
		230	9.0	70.0	70	.110 Terminal	P12897-ND	12.25	10.54	9.07	4715FS-23T-B10-D00	CR224-ND	.66
		230	11.0	88.2	37	.110 Terminal	P13111-ND	12.04	10.35	8.91	4715MS-23T-B30-A00	CR224-ND	.66
		115	14.5	102	41	.110 Terminal	P12893-ND	12.04	10.35	8.91	4715MS-12T-B50-A00	CR224-ND	.66
		115	13.0	95.0	39	.110 Terminal	P13109-ND	12.04	10.35	8.91	4715MS-12T-B40-A00	CR224-ND	.66
		230	13.0	95.0	39	.110 Terminal	P13112-ND	12.04	10.35	8.91	4715MS-23T-B40-A00	CR224-ND	.66
		115	14.0	100.0	42	.110 Terminal	P13107-ND	12.04	10.35	8.91	4715FS-12T-B40-D00	CR224-ND	.66
		230	14.0	100.0	100	.110 Terminal	P13108-ND	12.25	10.54	9.07	4715FS-23T-B40-D00	CR224-ND	.66
		115	14.0	102.4	41	.110 Terminal	P12894-ND	12.04	10.35	8.91	4715MS-23T-B50-A00	CR224-ND	.66
115	14.4	110	45	.110 Terminal	P12896-ND	12.04	10.35	8.91	4715FS-12T-B50-D00	CR224-ND	.66		
230	14.0	110	110	.110 Terminal	P12898-ND	12.04	10.35	8.91	4715FS-23T-B50-D00	CR224-ND	.66		
150x172x38	Ball	115	32.0	21.2	56	.110 Terminal	P12899-ND	38.39	33.02	28.41	5915PC-12T-B30-A00	CR191-ND	1.80
		230	35.0	21.2	56	.110 Terminal	P12900-ND	38.39	33.02	28.41	5915PC-23T-B30-A00	CR191-ND	1.80
		230	18.0	102.3	38	.110 Terminal	P13113-ND	38.39	33.02	28.41	5915PC-23T-B10-A00	CR191-ND	1.80

DC Fans FBL Series



Features:

- Louvered design increases air flow and decreases turbulent noise at standard rating conditions
- Hydro-Wave Bearing Technology

Specifications:

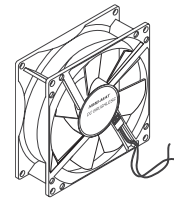
- Operating Temperature: -10°C ~ 70°C (65%RH)
- Plastic Rating: All Panaflo fans are manufactured with a UL94V-0 plastic (flammability)

- Noise Data: The noise data is measured at 1 meter from the air intake side of the fan suspended in a semi-anechoic chamber (background noise 13dB-A maximum)
- Life Expectancy: 50,000 hours (40°C, 65%RH)

Operating Voltage (VDC)		Dim. (mm)	Input Power (W)	Max. Air Flow (CFM)	Max. Air Pressure (mmH ₂ O)	Max. Noise (dB-A)	Lead Length (mm)	Digi-Key Part No.	Price Each				NMB Technologies Part No.	Finger Guards	Price Each	
Nom.	Range								1	5	10	100				
12	7-13.5	60 x 25.5	3.24	15.89	4.7	42.0	315	P10893-ND	6.66	5.73	4.93	4.43	4.00	FBL06A12U1A	CR221-ND	.49
12	7-13.8	60 x 25.5	2.64	14.83	4.1	36.0	315	P10892-ND	6.66	5.73	4.93	4.43	4.00	FBL06A12H1A	CR221-ND	.49
12	7-13.8	60 x 25.5	2.04	13.06	3.0	32.0	315	P10891-ND	6.66	5.73	4.93	4.43	4.00	FBL06A12M1A	CR221-ND	.49
12	7-13.8	60 x 25.5	1.68	14.83	2.1	29.0	315	P10890-ND	6.66	5.73	4.93	4.43	4.00	FBL06A12L1A	CR221-ND	.49
24	14-27.6	60 x 25.5	3.24	15.89	4.7	42.0	315	P11017-ND	6.35	5.47	4.71	4.22	3.82	FBL06A24U1A	CR221-ND	.49
24	14-27.6	60 x 25.5	1.68	14.83	2.1	29.0	315	P11014-ND	6.66	5.73	4.93	4.43	4.00	FBL06A24L1A	CR221-ND	.49
12	7-13.5	80 x 25.5	4.32	35.31	4.7	42.0	300	P11082-ND	6.72	5.78	4.97	4.46	4.03	FBL08A12U1BX	CR180-ND	.68
12	7-13.8	80 x 25.5	4.32	35.31	4.0	42.0	300	P10897-ND	6.66	5.73	4.93	4.43	4.00	FBL08A12U1A	CR180-ND	.68
12	7-13.8	80 x 25.5	3.00	30.01	2.9	39.0	300	P10896-ND	6.66	5.73	4.93	4.43	4.00	FBL08A12H1A	CR180-ND	.68
12	7-13.8	80 x 25.5	2.04	24.71	2.0	33.0	300	P10895-ND	6.66	5.73	4.93	4.43	4.00	FBL08A12M1A	CR180-ND	.68
24	14-27.6	80 x 25.5	2.04	24.71	2.0	33.0	300	P11019-ND	6.66	5.73	4.93	4.43	4.00	FBL08A24M1A	CR180-ND	.68
12	7-13.5	92 x 25.5	3.48	45.89	3.3	40.0	295	P10900-ND	6.66	5.73	4.93	4.43	4.00	FBL09A12H1A	CR220-ND	.56
12	7-13.5	92 x 25.5	3.48	45.9	3.3	40.0	295	P11083-ND	6.72	5.78	4.97	4.46	4.03	FBL09A12H1BX	CR220-ND	.56
12	7-13.8	92 x 25.5	2.40	35.30	2.3	36.0	295	P10899-ND	6.66	5.73	4.93	4.43	4.00	FBL09A12M1A	CR220-ND	.56
24	14-27.6	92 x 25.5	6.60	54.70	4.4	47.0	295	P11025-ND	6.66	5.73	4.93	4.43	4.00	FBL09A24U1A	CR220-ND	.56
24	14-27.6	92 x 25.5	6.60	54.70	4.4	47.0	295	P11092-ND	6.72	5.78	4.97	4.46	4.03	FBL09A24U1BX	CR220-ND	.56
24	14-27.6	92 x 25.5	2.40	35.30	2.3	36.0	295	P11023-ND	6.66	5.73	4.93	4.43	4.00	FBL09A24M1A	CR220-ND	.56
12	7-13.8	120 x 38	7.20	81.19	5.2	46.0	280	P10904-ND	20.51	17.64	15.18	13.62	12.31	FBL12G12H1A	CR210-ND	1.25
24	14-27.6	120 x 38	7.20	81.19	5.2	46.0	280	P11028-ND	20.51	17.64	15.18	13.62	12.31	FBL12G24H1A	CR210-ND	1.25
24	14-27.6	120 x 38	5.40	67.07	3.6	41.0	280	P11027-ND	20.51	17.64	15.18	13.62	12.31	FBL12G24M1A	CR210-ND	1.25
24	14-27.6	120 x 38	2.88	52.95	2.3	35.0	280	P1								



DC Axial Fans



NMB-MAT combines the Panasonic Panaflo and NMB fan product lines. NMB-MAT offers a comprehensive line of cooling products, including AC and DC axial fans and blowers ranging from 25mm to 172mm in diameter. NMB-MAT leverages its expertise to develop and produce superior cooling fans and blowers.

Specifications: • Operating Temperature: -10°C – 60/70°C by model (65%RH)

Features: • Aerodynamic blade and venturi design • They are ideal when cooling a specific area that is surrounded by numerous components with minimum ventilation available.

Please Note: Custom Fan Cable Assemblies available upon request.

Dimensions mm	Operating Voltage (VDC)		Input Power (W)	Max. Air Flow (CFM)	Max. Air Pressure (In H ₂ O)	Max. Noise (dB-A)	Lead Length (mm)	Bearing	Sensors	Mount Type	Digi-Key Part No.	Price Each			NMB Technologies Part No.	Finger Guards	Price Each
	Nom.	Range										1	5	10			
25x10	5	4.5 - 5.5	0.625	2.0	.20	25.0	200	Ball	---	Rib	P12806-ND	10.55	9.07	7.81	1004KL-01W-B50-800	CR181-ND	.39
	12	8 - 13.8	0.72	2.0	.20	25.0	200	Ball	---	Rib	P12807-ND	10.55	9.07	7.81	1004KL-04W-B50-800	CR181-ND	.39
	12	8 - 13.8	0.72	2.0	.20	25.0	200	Ball	Lock Rotor	Rib	P13383-ND	10.31	8.87	7.63	1004KL-04W-B59-800	CR181-ND	.39
30x10	5	4.5 - 5.5	0.90	3.8	.216	27.0	200	Ball	---	Rib	P12806-ND	10.77	9.26	7.97	1204KL-01W-B50-800	CR377-ND	.46
	5	4.5 - 5.5	0.90	3.8	.216	27.0	200	Ball	---	Rib	P13384-ND	10.71	9.21	7.93	1204KL-01W-B59-800	CR377-ND	.46
	12	6 - 13.8	0.96	3.8	.216	27.0	200	Ball	---	Rib	P12809-ND	10.77	9.26	7.97	1204KL-04W-B50-800	CR377-ND	.46
35x10	5	4.5 - 5.5	1.05	5.6	.16	27.0	200	Ball	---	Rib	P12811-ND	10.77	9.26	7.97	1404KL-01W-B50-800	CR378-ND	.48
	5	4.5 - 5.5	1.05	5.6	.16	27.0	200	Ball	Tac	Rib	P13386-ND	10.44	8.98	7.73	1404KL-01W-B59-850	CR378-ND	.48
	12	8 - 13.8	0.96	5.6	.16	27.0	200	Ball	---	Rib	P12811-ND	10.77	9.26	7.97	1404KL-04W-B50-800	CR378-ND	.48
40x10	5	4.5 - 5.5	0.775	6.0	.184	29.0	200	Ball	---	Rib	P12812-ND	8.59	7.39	6.36	1604KL-01W-B50-800	CR230-ND	.47
	5	4.5 - 5.5	0.775	6.0	.184	29.0	200	Ball	---	Rib	P13388-ND	9.04	7.78	6.69	1604KL-01W-B59-800	CR230-ND	.47
	12	10.2 - 13.8	0.876	5.3	.136	25.0	200	Ball	---	Rib	P12813-ND	8.59	7.39	6.36	1604KL-04W-B40-800	CR230-ND	.47
40x15	5	4.5 - 5.5	0.600	6.0	.145	28.0	200	Ball	---	Rib	P12814-ND	8.59	7.39	6.36	1606KL-01W-B30-L00	CR230-ND	.47
	5	4.5 - 5.5	1.20	8.12	.252	34.0	200	Ball	---	Rib	P12815-ND	8.59	7.39	6.36	1606KL-01W-B50-L00	CR230-ND	.47
	12	10.2 - 13.8	0.804	6.0	.145	28.0	200	Ball	---	Rib	P13390-ND	9.04	7.78	6.69	1606KL-01W-B59-L00	CR230-ND	.47
40x20	5	4.5 - 5.5	1.35	8.4	.21	29.0	200	Ball	---	Rib	P12816-ND	8.59	7.39	6.36	1606KL-04W-B30-L00	CR230-ND	.47
	12	10.2 - 13.8	1.02	8.12	.252	34.0	200	Ball	---	Rib	P12817-ND	8.59	7.39	6.36	1606KL-04W-B50-L00	CR230-ND	.47
	12	10.2 - 13.8	1.02	8.12	.252	34.0	200	Ball	---	Rib	P13391-ND	9.04	7.78	6.69	1606KL-04W-B59-L00	CR230-ND	.47
40x25	5	4.5 - 5.5	0.35	4.9	.08	20.0	200	Ball	---	Rib	P12818-ND	8.84	7.61	6.55	1608KL-01W-B10-L00	CR230-ND	.47
	5	4.5 - 5.5	0.60	6.0	.12	22.5	200	Ball	---	Rib	P13576-ND	8.84	7.61	6.55	1608KL-01W-B20-L00	CR230-ND	.47
	5	4.5 - 5.5	1.35	8.4	.21	29.0	200	Ball	---	Rib	P13577-ND	8.84	7.61	6.55	1608KL-01W-B40-L00	CR230-ND	.47
50x10	5	4.5 - 5.5	1.90	9.5	.28	33.0	200	Ball	---	Rib	P12819-ND	8.84	7.61	6.55	1608KL-01W-B50-L00	CR230-ND	.47
	5	4.5 - 5.5	1.90	9.5	.28	33.0	200	Ball	---	Rib	P13393-ND	9.04	7.78	6.69	1608KL-01W-B59-L00	CR230-ND	.47
	12	10.2 - 13.8	0.48	4.9	.08	20.0	200	Ball	---	Rib	P12820-ND	8.84	7.61	6.55	1608KL-04W-B10-L00	CR230-ND	.47
50x15	5	4.5 - 6.0	1.50	10.2	.14	34.0	200	Ball	---	Rib	P13578-ND	8.84	7.61	6.55	1608KL-04W-B20-L00	CR230-ND	.47
	12	10.2 - 13.8	0.72	6.0	.12	22.5	200	Ball	---	Rib	P13579-ND	9.29	8.00	6.88	1608KL-04W-B29-L00	CR230-ND	.47
	12	10.2 - 13.8	0.84	7.4	.17	25.5	200	Ball	---	Rib	P13580-ND	8.84	7.61	6.55	1608KL-04W-B30-L00	CR230-ND	.47
50x20	5	4.5 - 5.5	1.90	9.5	.28	33.0	200	Ball	---	Rib	P13581-ND	8.84	7.61	6.55	1608KL-04W-B40-L00	CR230-ND	.47
	12	10.2 - 13.8	1.08	8.4	.21	29.0	200	Ball	---	Rib	P13582-ND	9.04	7.78	6.69	1608KL-04W-B49-L00	CR230-ND	.47
	12	10.2 - 13.8	1.32	9.5	.28	33.0	200	Ball	---	Rib	P12821-ND	8.84	7.61	6.55	1608KL-04W-B50-L00	CR230-ND	.47
52x15	12	10.2 - 13.8	1.32	9.5	.28	33.0	200	Ball	---	Rib	P13394-ND	9.29	8.00	6.88	1608KL-04W-B59-L00	CR230-ND	.47
	24	20.0 - 25.2	0.96	4.9	.08	20.0	200	Ball	---	Rib	P12822-ND	8.84	7.61	6.55	1608KL-05W-B10-L00	CR230-ND	.47
	24	20.0 - 25.2	1.68	8.4	.21	29.0	200	Ball	---	Rib	P13583-ND	8.84	7.61	6.55	1608KL-05W-B40-L00	CR230-ND	.47
60x15	5	4.5 - 6.0	1.50	10.2	.14	34.0	200	Ball	---	Rib	P12823-ND	8.84	7.61	6.55	1608KL-05W-B50-L00	CR230-ND	.47
	5	4.5 - 6.0	1.50	10.2	.14	34.0	200	Ball	---	Rib	P13395-ND	9.29	8.00	6.88	1608KL-05W-B59-L00	CR230-ND	.47
	12	10.2 - 13.8	1.20	10.2	.14	34.0	200	Ball	---	Rib	P12824-ND	9.28	7.98	6.87	2004KL-01W-B50-800	CR379-ND	.62
60x20	5	4.5 - 6.0	1.50	10.2	.14	34.0	200	Ball	---	Rib	P13396-ND	9.73	8.37	7.20	2004KL-01W-B59-800	CR379-ND	.62
	12	10.2 - 13.8	1.20	10.2	.14	34.0	200	Ball	---	Rib	P12825-ND	9.28	7.98	6.87	2004KL-04W-B50-800	CR379-ND	.62
	12	10.2 - 13.8	1.20	10.2	.14	34.0	200	Ball	Lock Rotor	Rib	P13397-ND	9.04	7.78	6.69	2004KL-04W-B59-800	CR379-ND	.62
60x25	12	10.2 - 13.0	1.56	14.1	.14	30.0	200	Ball	---	Rib	P12826-ND	8.92	7.67	6.60	2106KL-04W-B50-L00	CR388-ND	.43
	12	10.2 - 13.0	1.56	14.1	.14	30.0	200	Ball	Lock Rotor	Rib	P13398-ND	8.71	7.50	6.45	2106KL-04W-B59-L00	CR388-ND	.43
	12	7.0 - 13.8	0.48	6.7	.03	19.0	200	Ball	---	Rib	P12827-ND	8.41	7.23	6.22	2406KL-04W-B10-L00	CR221-ND	.49
60x25.5	12	6.0 - 13.8	1.08	14.1	.13	28.0	200	Ball	---	Rib	P13494-ND	8.41	7.23	6.22	2406KL-04W-B30-L00	CR221-ND	.49
	12	6.0 - 13.8	1.08	14.1	.13	28.0	200	Ball	Lock Rotor	Rib	P13495-ND	8.86	7.62	6.56	2406KL-04W-B39-L00	CR221-ND	.49
	12	6.0 - 13.8	1.92	18.3	.20	34.0	200	Ball	---	Rib	P12828-ND	8.41	7.23	6.22	2406KL-04W-B50-L00	CR221-ND	.49
80x15	24	10.0 - 27.6	1.44	14.1	.13	28.0	200	Ball	---	Rib	P13399-ND	8.86	7.62	6.56	2406KL-04W-B59-L00	CR221-ND	.49
	24	10.0 - 27.6	2.40	18.3	.20	34.0	200	Ball	---	Rib	P13496-ND	8.41	7.23	6.22	2406KL-05W-B30-L00	CR221-ND	.49
	24	10.0 - 27.6	1.99	16.6	.187	32.0	325	Hydrowave	---	Rib	P12829-ND	8.41	7.23	6.22	2406KL-05W-B50-L00	CR221-ND	.49
80x20	12	6.0 - 13.8	0.60	10.9	.07	22.5	300	Ball	---	Rib	P9727-ND	7.26	6.25	5.38	FBA06T24H	CR221-ND	.49
	12	6.0 - 13.8	1.32	17.6	.16	31.5	300	Ball	---	Rib	P12830-ND	8.59	7.39	6.36	2408KL-04W-B10-L00	CR221-ND	.49
	12	6.0 - 13.8	1.32	17.6	.16	31.5	300	Ball	Lock Rotor	Rib	P12831-ND	8.59	7.39	6.36	2408KL-04W-B50-L00	CR221-ND	.49
80x25	12	6.0 - 13.8	1.32	17.6	.16	31.5	300	Ball	---	Rib	P13400-ND	9.04	7.78	6.69	2408KL-04W-B59-L00	CR221-ND	.49
	12	6.0 - 13.8	1.32	17.6	.16	31.5	300	Ball	Lock Rotor	Flange	P13402-ND	9.04	7.78	6.69	2408KL-04W-B59-P00	CR221-ND	.49
	24	15.0 - 27.6	1.20	15.9	.13	29.0	300	Ball	---	Rib	P12832-ND	8.59	7.39	6.36	2408KL-05W-B40-L00	CR221-ND	.49
80x25.5	12	6.0 - 13.8	0.90	13.7	.08	23.0	300	Ball	---	Rib	P13401-ND	9.04	7.78	6.69	2408KL-05W-B59-L00	CR221-ND	.49
	12	6.0 - 13.8	2.04	21.5	.20	33.5	300	Ball	---	Rib	P12833-ND	8.26	7.11	6.12	2410ML-04W-B10-800	CR221-ND	.49
	12	6.0 - 13.8	1.80	24.0	.20	33.5	300	Ball	Lock Rotor	Rib	P12834-ND	8.26	7.11	6.12	2410ML-04W-B40-800	CR221-ND	.49
80x25.5	12	6.0 - 13.8	3.24	28.5	.27	38.0	300	Ball	Lock Rotor	Flange	P13403-ND	5.87	5.05	4.34	2410RL-04W-B59-C00	CR221-ND	.49
	12	6.0 - 13.2	6.20	37.0	.57	46.0	300	Ball	Tac	Flange	P13404-ND	5.87	5.05	4.34	2410RL-04W-B79-C00	CR221-ND	.49
	24	10.0 - 27.6	2.40	23.3	.25	36.5	300	Ball	---	Rib	P13406-ND	9.62	8.28	7.12	2410ML-04W-B89-E50	CR221-ND	.49
80x25.5	24	10.0 - 27.6	4.80	28.5	.27	38.0	300	Ball	Lock Rotor	Rib	P12835-ND	8.26	7.11	6.12	2410ML-05W-B80-E00	CR221-ND	.49
	24	10.0 - 26.4	8.16	34.59	.482	50.0	300	Ball	Tac	Flange	P13405-ND	5.87	5.05	4.34	2410ML-05W-B79-C00	CR221-ND	.49



DC Axial Fans (Cont.)

Dimensions mm	Operating Voltage (VDC)	Input Power (W)	Max. Air Flow (CFM)	Max. Air Pressure (In H ₂ O)	Max. Noise (dB-A)	Lead Length (mm)	Bearing	Sensors	Mount Type	Digi-Key Part No.	Price Each			NMB Technologies Part No.	Finger Guards	Price Each	
											1	5	10				
80x20	12	6.0 - 13.8	1.08	26.5	.08	26.0	300	Ball	—	Flange	P12836-ND	8.81	7.57	6.52	3108NL-04W-B10-P00	CR180-ND	.68
	12	6.0 - 13.8	3.36	44.0	.20	42.0	300	Ball	—	Flange	P12837-ND	8.81	7.57	6.52	3108NL-04W-B50-P00	CR180-ND	.68
	12	6.0 - 13.8	3.36	44.0	.20	42.0	300	Ball	Lock Rotor	Flange	P13408-ND	9.26	7.97	6.85	3108NL-04W-B59-L00	CR180-ND	.68
	24	15.0 - 27.6	3.10	26.5	.08	26.0	300	Ball	—	Flange	P12838-ND	8.81	7.57	6.52	3108NL-05W-B10-P00	CR180-ND	.68
	24	15.0 - 27.6	3.60	44.0	.20	42.0	300	Ball	—	Flange	P12839-ND	8.81	7.57	6.52	3108NL-05W-B50-P00	CR180-ND	.68
80x25	12	6.0 - 13.8	1.20	24.7	.07	22.0	300	Ball	—	Flange	P13485-ND	8.39	7.22	6.21	3110KL-04W-B10-D00	CR180-ND	.68
	12	6.0 - 13.8	2.04	31.8	.10	26.5	300	Ball	—	Flange	P13486-ND	8.39	7.22	6.21	3110KL-04W-B30-D00	CR180-ND	.68
	12	6.0 - 13.8	2.76	38.8	.15	34.0	300	Ball	—	Flange	P13487-ND	8.39	7.22	6.21	3110KL-04W-B50-D00	CR180-ND	.68
	12	6.0 - 13.0	3.12	40.2	.16	35.0	300	Ball	Lock Rotor	Flange	P13488-ND	8.84	7.61	6.55	3110KL-04W-B69-D00	CR180-ND	.68
	24	10.0 - 27.6	1.44	24.7	.07	22.0	300	Ball	—	Flange	P13489-ND	8.39	7.22	6.21	3110KL-05W-B10-D00	CR180-ND	.68
80x25.5	12	7 - 13.8	3.24	46.9	.189	38.2	300	Hydrowave	—	Flange	P9759-ND	6.30	5.42	4.67	FBA08A12U1A	CR180-ND	.68
	12	7 - 13.8	3.24	46.9	.189	38.2	300	Hydrowave	Lock Rotor	Flange	P9997-ND	6.17	5.31	4.57	FBA08A12U1BS	CR180-ND	.68
	12	7 - 13.8	2.08	39.6	.148	32.0	300	Hydrowave	—	Flange	P9738-ND	6.30	5.42	4.67	FBA08A12H1A	CR180-ND	.68
	12	7 - 13.8	2.08	39.6	.148	32.0	300	Hydrowave	—	Rib	P11035-ND	6.30	5.42	4.67	FBA08A12H1AZ	CR180-ND	.68
	12	7 - 13.8	2.08	39.6	.148	32.0	300	Hydrowave	Lock Rotor	Flange	P11036-ND	6.17	5.31	4.57	FBA08A12H1BS	CR180-ND	.68
	12	7 - 13.8	1.49	32.1	.098	28.0	300	Hydrowave	—	Flange	P9737-ND	6.30	5.42	4.67	FBA08A12M1A	CR180-ND	.68
	12	7 - 13.8	1.49	32.1	.098	28.0	300	Hydrowave	Lock Rotor	Flange	P11038-ND	6.17	5.31	4.57	FBA08A12M1BS	CR180-ND	.68
	12	7 - 13.8	1.49	32.1	.098	28.0	300	Hydrowave	Tac	Flange	P11039-ND	6.35	5.47	4.71	FBA08A12M1BX	CR180-ND	.68
	12	7 - 13.8	0.82	24.0	.061	21.0	300	Hydrowave	—	Flange	P9736-ND	6.30	5.42	4.67	FBA08A12L1A	CR180-ND	.68
	12	7 - 13.8	0.82	24.0	.061	21.0	300	Hydrowave	—	Rib	P11037-ND	6.30	5.42	4.67	FBA08A12L1AZ	CR180-ND	.68
	24	14 - 27.6	2.52	39.6	.148	32.0	300	Hydrowave	—	Flange	P9741-ND	6.30	5.42	4.67	FBA08A24H1A	CR180-ND	.68
	24	14 - 27.6	2.52	39.6	.148	32.0	300	Hydrowave	Tac	Flange	P11097-ND	8.35	7.31	6.27	FBA08A24H1CX	CR180-ND	.68
	24	14 - 27.6	1.70	32.1	.098	28.0	300	Hydrowave	—	Flange	P9740-ND	6.30	5.42	4.67	FBA08A24M1A	CR180-ND	.68
	24	14 - 27.6	1.30	24.0	.061	21.0	300	Hydrowave	—	Flange	P9739-ND	6.30	5.42	4.67	FBA08A24L1A	CR180-ND	.68
	80x32	12	6.0 - 13.8	3.00	46.9	.22	37.0	300	Ball	—	Flange	P12845-ND	9.31	8.01	6.89	3112KL-04W-B40-E00	CR180-ND
12		6.0 - 13.8	5.40	58.6	.32	44.0	300	Ball	Lock Rotor	Flange	P13412-ND	9.76	8.40	7.23	3112KL-04W-B69-E00	CR180-ND	.68
24		10.0 - 27.6	3.36	46.9	.22	37.0	300	Ball	—	Flange	P12846-ND	9.31	8.01	6.89	3112KL-05W-B40-E00	CR180-ND	.68
24		10.0 - 25.2	5.04	58.6	.32	44.0	300	Ball	Lock Rotor	Flange	P13413-ND	9.76	8.40	7.23	3112KL-05W-B69-E00	CR180-ND	.68
92x25	12	6.0 - 13.8	0.876	26.5	.06	25.0	300	Ball	—	Flange	P13415-ND	9.62	8.28	7.12	3610KL-04W-B10-D00	CR220-ND	.56
	12	6.0 - 13.8	2.64	47.6	.15	37.5	300	Ball	—	Flange	P12847-ND	9.62	8.28	7.12	3610KL-04W-B40-D00	CR220-ND	.56
	12	6.0 - 13.8	2.64	47.6	.15	37.5	300	Ball	Lock Rotor	Rib	P13414-ND	10.08	8.67	7.46	3610KL-04W-B49-D00	CR220-ND	.56
	24	10.0 - 25.0	3.84	54.7	.19	41.0	300	Ball	—	Rib	P12848-ND	9.62	8.28	7.12	3610KL-05W-B50-D00	CR220-ND	.56
92x25.5	12	7 - 13.8	5.16	68.8	.197	43.0	295	Hydrowave	—	Flange	P9760-ND	6.30	5.42	4.67	FBA09A12U1A	CR220-ND	.56
	12	7 - 13.8	5.16	68.8	.197	43.0	295	Hydrowave	Lock Rotor	Rib	P11044-ND	6.17	5.31	4.57	FBA09A12U1B0	CR220-ND	.56
	12	7 - 13.8	5.16	68.8	.197	43.0	295	Hydrowave	Tac	Flange	P9975-ND	6.35	5.47	4.71	FBA09A12U1BX	CR220-ND	.56
	12	7 - 13.8	2.70	56.8	.148	35.0	295	Hydrowave	—	Flange	P9744-ND	6.30	5.42	4.67	FBA09A12H1A	CR220-ND	.56
	12	7 - 13.8	2.70	56.8	.148	35.0	295	Hydrowave	—	Flange	P11040-ND	6.30	5.42	4.67	FBA09A12H1AZ	CR220-ND	.56
	12	7 - 13.8	2.70	56.8	.148	35.0	295	Hydrowave	Lock Rotor	Rib	P11041-ND	6.17	5.31	4.57	FBA09A12H1B0	CR220-ND	.56
	12	7 - 13.8	2.70	56.8	.16	35.0	295	Hydrowave	Tac	Flange	P13481-ND	6.53	5.62	4.84	FBA09A12H1B0	CR220-ND	.56
	12	7 - 13.8	2.70	56.8	.148	35.0	295	Hydrowave	Tac	Flange	P11042-ND	6.35	5.47	4.71	FBA09A12H1BX	CR220-ND	.56
	12	7 - 13.8	1.80	48.0	.118	30.0	295	Hydrowave	—	Flange	P9743-ND	6.30	5.42	4.67	FBA09A12M1A	CR220-ND	.56
	12	7 - 13.8	1.32	42.7	.09	27.0	295	Hydrowave	—	Flange	P9742-ND	6.30	5.42	4.67	FBA09A12L1A	CR220-ND	.56
	24	14 - 27.6	1.32	42.7	.09	27.0	295	Hydrowave	Tac	Flange	P11043-ND	6.85	5.89	5.07	FBA09A12L1B0	CR220-ND	.56
	24	14 - 27.6	7.2	68.8	.181	47.0	295	Hydrowave	Tac	Flange	P11096-ND	6.35	5.47	4.71	FBA09A24U1BX	CR220-ND	.56
	24	14 - 27.6	3.36	56.8	.148	35.0	295	Hydrowave	—	Flange	P9747-ND	6.30	5.42	4.67	FBA09A24H1A	CR220-ND	.56
	24	14 - 27.6	3.36	56.8	.148	35.0	295	Hydrowave	—	Rib	P11045-ND	6.30	5.42	4.67	FBA09A24H1AZ	CR220-ND	.56
	24	14 - 27.6	3.36	56.8	.148	35.0	295	Hydrowave	Lock Rotor	Flange	P11046-ND	6.17	5.31	4.57	FBA09A24H1BS	CR220-ND	.56
24	14 - 27.6	3.36	56.8	.148	35.0	295	Hydrowave	Tac	Flange	P11047-ND	6.35	5.47	4.71	FBA09A24H1BX	CR220-ND	.56	
24	14 - 27.6	2.64	48.0	.118	30.0	295	Hydrowave	—	Flange	P9746-ND	6.30	5.42	4.67	FBA09A24M1A	CR220-ND	.56	
24	14 - 27.6	1.92	42.7	.09	27.0	295	Hydrowave	—	Flange	P9745-ND	6.30	5.42	4.67	FBA09A24L1A	CR220-ND	.56	
92x38	12	7.0 - 13.2	4.08	68.5	.29	44.0	300	Ball	—	Flange	P12849-ND	15.14	13.02	11.21	3615KL-04W-B40-P00	CR220-ND	.56
	12	7.0 - 13.2	5.52	76.2	.36	46.5	300	Ball	Lock Rotor	Flange	P13416-ND	15.59	13.41	11.54	3615KL-04W-B59-P00	CR220-ND	.56
	24	12.0 - 25.2	5.76	76.2	.36	46.5	300	Ball	—	Flange	P12850-ND	15.14	13.02	11.21	3615KL-05W-B50-P00	CR220-ND	.56
	24	12.0 - 25.2	5.76	76.2	.36	46.5	300	Ball	Lock Rotor	Flange	P13417-ND	15.59	13.41	11.54	3615KL-05W-B59-P00	CR220-ND	.56
119x25	12	6.0 - 13.8	1.44	63.5	.07	27.0	300	Ball	—	Rib	P13418-ND	11.89	10.23	8.80	4710KL-04W-B10-E00	CR210-ND	1.25
	12	6.0 - 13.0	6.60	114.7	.20	41.5	300	Ball	Lock Rotor	Flange	P13420-ND	12.34	10.62	9.14	4710KL-04W-B30-E00	CR210-ND	1.25
	12	6.0 - 13.0	6.60	114.7	.20	41.5	300	Ball	—	Flange	P13448-ND	11.89	10.23	8.80	4710KL-04W-B50-E00	CR210-ND	1.25
	24	10.0 - 27.6	1.92	63.5	.07	27.0	300	Ball	—	Flange	P13449-ND	11.89	10.23	8.80	4710KL-05W-B10-E00	CR210-ND	1.25
	24	10.0 - 26.0	6.96	114.7	.20	41.5	300	Ball	—	Flange	P13447-ND	11.89	10.23	8.80	4710KL-05W-B50-E00	CR210-ND	1.25
24	10.0 - 26.0	6.96	114.7	.20	41.5	300	Ball	Lock Rotor	Flange	P13419-ND	12.34	10.62	9.14	4710KL-05W-B59-E00	CR210-ND	1.25	
119x32	12	6.0 - 13.8	1.92	56.1	.09	29.0	300	Ball	—	Flange	P12851-ND	16.61	14.29	12.29	4712KL-04W-B10-P00	CR210-ND	1.25
	12	6.0 - 13.8	8.28	112.0	.33	47.0	300	Ball	—	Flange	P12855-ND	16.61	14.29	12.29	4712KL-04W-B50-P00	CR210-ND	1.25
	12	6.0 - 13.8	3.28	112.0	.33	47.0	300	Ball	Lock Rotor	Flange	P13421-ND	17.06	14.68	12.63	4712KL-04W-B59-P00	CR210-ND	1.25
	24	12.0 - 27.6	8.16	112.0	.33	47.0	300	Ball	Lock Rotor	Flange	P13422-ND	17.06	14.68	12.63	4712KL-05W-B49-P00	CR210-ND	1.25
119x38	12	6.0 - 13.8	6.60	108.0	.27	42.5	300	Ball	—	Flange	P12857-ND	14.65	12.60	10.84	4715KL-04W-B30-P00	CR210-ND	1.25
	12	6.0 - 13.8	8.40														



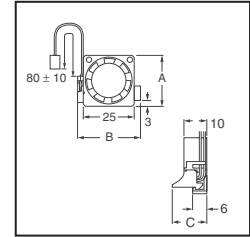
DC Fans UDQ Series

SPECIFICATIONS:

• Operating Temperature: 0°C – 70°C • Operating Humidity: <85 Rh% • Operating Voltage (VDC): Nom: 5, Range: 3.1 – 5.5 • Life Expectancy (Hrs @ 60°C): 30,000

Note: Not for New Design

Dimensions mm			Current @ 60°C (mA)	Speed @ 60°C (r/min)	Max Air Flow @ 60°C		Max Air Pressure @ 60°C		Noise @ 1M dBA	Digi-Key Part No.	Price Each					NMB Technologies Part No.
A	B	C			(m3/min.)	(CFM)	(Pa)	(In H ₂ O)			1	5	10	50	100	
25	25	10	40	7,800	0.040	1.41	24	0.10	17	P11093-ND	9.98	8.59	7.39	6.63	5.99	UDQFBFM01CP1
30	30	10	50	6,000	0.065	2.29	17	0.07	18	P11094-ND	9.98	8.59	7.39	6.63	5.99	UDQFHFMM01P1

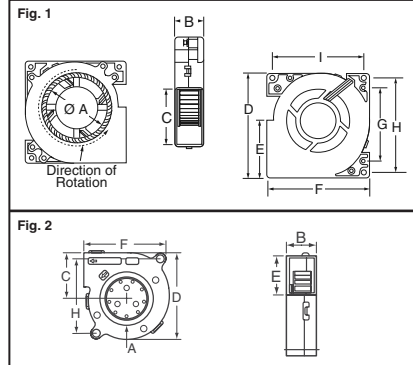


DC Blowers



NMB-MAT DC Blowers are most suitable for cooling in high back pressure applications. Since the fan impeller is housed inside a rugged plastic enclosure, the blower is not affected by high back pressure caused by objects in close proximity to the exhaust port.

Specifications: • Operating Temperature: -10°C – 60°C • Storage Temperature: -40°C – 75°C • Blowers with Hydro-Wave and Ball Bearing Technology



Model Type	Dimensions - mm								
	A	B	C	D	E	F	G	H	I
FAL-6F	65.8	28.1	55.7	111.4	60.7	107.1	76	99	97
FAL-5F	50	28	37	76	41	76	47	68	68
FAL-3F	33.2	20	26.8	50	26.8	50	29.6	43	43
BM5115	32	15	27	51	20	51	—	43	—
BM5125	32	25	27	51	20	51	—	43	—
BM6015	—	15	32	60	30	60	—	23	—
BG0702	—	25	39.9	75.7	39.9	75.7	—	67.1	—
BG0703	—	30	39.9	75.7	39.9	75.7	—	67.1	—
BG0903	—	33	58	93.5	53	97	—	71	—
BG1203	—	32	55	120	61	120	—	105	90

Fig.	Operating Voltage (VDC) Nom. Range	Input Current (mA)	Power (W)	Air Flow CFM	Static Pressure In H ₂ O	Noise	Digi-Key Part No.	Price Each			NMB Technologies Part No.	
								1	5	10		
1	12	7-13.8	500	6.00	22.97	0.71	45	P9754-ND	22.27	19.16	16.48	FAL6F12LH
	12	7-13.8	280	3.36	18.73	0.44	40	P9755-ND	22.27	19.16	16.48	FAL6F12LL
	24	14-27.6	295	7.08	23.7	0.78	45	P9763-ND	22.27	19.16	16.48	FAL6F24LH
	24	14-27.6	155	3.72	18.7	0.45	40	P9764-ND	22.27	19.16	16.48	FAL6F24LL
1	12	7-13.8	210	2.52	10.60	0.41	35	P9756-ND	20.46	17.59	15.14	FAL5F12LH
	12	7-13.8	145	1.74	8.83	0.24	29	P9757-ND	20.46	17.59	15.14	FAL5F12LL
	24	14-27.6	150	3.50	9.18	0.28	40	P9765-ND	20.46	17.59	15.14	FAL5F24LH
	24	14-27.6	100	2.40	7.06	0.16	37.5	P9766-ND	20.46	17.59	15.14	FAL5F24LL
5	4.5-6	320	1.60	3.17	0.24	34	P9772-ND	15.92	13.69	11.78	FAL3F05LH	
	4.5-6	570	2.85	4.24	0.39	40	P9773-ND	15.92	13.69	11.78	FAL3F05LH	
	7-13.8	170	2.04	3.17	0.24	34	P9774-ND	15.92	13.69	11.78	FAL3F12LH	
	7-13.8	270	3.24	4.24	0.39	40	P9775-ND	15.92	13.69	11.78	FAL3F12LH	
12	14-27.6	150	3.60	4.24	0.39	40	P9776-ND	15.92	13.69	11.78	FAL3F24LH	
	10.2-13.8	120	1.44	3.5	0.48	35	P12901-ND	9.26	7.97	6.85	BM5115-04W-B40-L00	
	10.2-13.8	180	2.16	3.5	.80	42	P13437-ND	9.71	8.35	7.19	BM5115-04W-B59-L00	
	10.2-13.8	130	1.56	5.3	.34	34	P12902-ND	9.26	7.97	6.85	BM5125-04W-B40-L00	
2	10.2-13.8	240	2.88	6.7	.64	41	P12903-ND	9.26	7.97	6.85	BM5125-04W-B50-L00	
	10.2-13.8	240	2.88	6.7	.64	41	P13438-ND	9.71	8.35	7.19	BM5125-04W-B59-L00	
	9-12.6	220	2.64	4.2	.68	42	P13439-ND	9.91	8.53	7.34	BM6015-04W-B59-L00	
	6-13.8	190	2.28	8.47	.50	41	P13484-ND	10.53	9.06	7.79	BG0702-B04-400-0	
2	6-13.8	190	2.28	8.47	.50	41	P12904-ND	10.44	8.98	7.73	BG0702-B04-400-0T0	
	6-13.8	250	3.00	9.5	.61	43	P13440-ND	10.98	9.45	8.13	BG0702-B04-500-L00	
	10-27.6	140	3.36	9.50	.61	43	P12905-ND	10.53	9.06	7.79	BG0702-B05-500-0	
	6-13.8	290	3.48	10.6	.44	38.5	P12906-ND	10.53	9.06	7.79	BG0703-B04-400-0	
2	6-13.8	290	3.48	10.6	.44	38.5	P13441-ND	10.98	9.45	8.13	BG0703-B04-400-L00	
	10-26.0	150	3.60	10.6	.44	38.5	P12907-ND	10.53	9.06	7.79	BG0703-B054-00-0	
	8-12.8	1030	12.40	28.6	1.4	54.5	P12908-ND	15.97	13.74	11.82	BG0903-B04-400-0	
	10.8-12.6	1600	19.2	38.1	1.9	—	P13442-ND	16.43	14.13	12.16	BG0903-B04-700-S00	
2	10-25.0	490	11.80	28.6	1.4	54.5	P12909-ND	15.97	13.74	11.82	BG0903-B05-400-0	
	10-25.0	490	11.8	28.6	1.4	54.5	P13443-ND	15.25	13.12	11.29	BG0903-B05-400-L00	
	6-13.8	650	7.80	28.2	.70	52	P12910-ND	16.15	13.90	11.96	BG1203-B04-400-0	
	6-13.8	650	7.8	28.2	.70	52	P13444-ND	16.61	14.29	12.29	BG1203-B04-400-L00	
1	6-13.8	930	11.16	33.2	1.04	55	P13445-ND	17.90	15.40	13.25	BG1203-B04-500-S00	
	12-25.2	480	11.52	33.2	1.04	55	P12911-ND	16.15	13.90	11.96	BG1203-B05-500-0	

◆ RoHS Compliant ‡ Locked Rotor Sensor † Tac Sensor

COPAL ELECTRONICS



Brushless DC Fans

Copal Electronics manufactures a range of Brushless DC Fans in 16mm through 62mm sizes. Designed for applications in portable electronic equipment, automotive and medical equipment; these fans are ideal for cooling a specific area on a PCB or in an electronic assembly where space is limited.

Features:

• Patented impeller design which improves airflow and reduces vibration • Low noise of 3dBA – 24dBA • Long life ball and/or sleeve bearing designs • Frame and impeller made of lightweight UL94V-0 ABS/PBT alloy

Specifications:

• Operating Temperature: -10°C – 60°C
• Storage Temperature: -30°C – 70°C

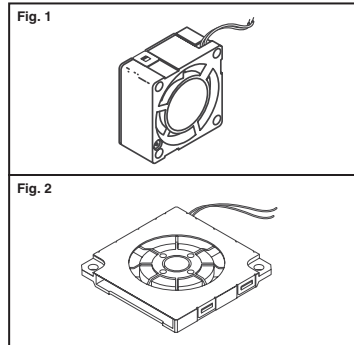


Fig.	Dimensions (mm)	Bearing Type	Operating Voltage (VDC)	Current (A)	Air Flow (CFM)	Noise (dBA)	Digi-Key Part No.	Price Each				Copal Electronics Part No.		
								1	10	100	500			
1	16 x 16 x 4	Sleeve	3.3	.02	.424	3	563-1106-ND	10.12	9.40	8.50	7.23	F16EA-03LLC /E		
			5	.04	.424	3	563-1107-ND	10.12	9.40	8.50	7.23	F16FB-05LLC /E		
			5	.03	.530	7	563-1108-ND	11.26	10.46	9.46	8.05	F17HA-05MC		
	25 x 25 x 10	Sleeve	1 Sleeve/1 Ball	5	.05	1.41	11	563-1111-ND	9.68	8.99	8.13	6.92	F251R-05LLC	
				12	.03	1.41	11	563-1115-ND	9.68	8.99	8.13	6.92	F251R-12LLC	
				12	.02	1.24	9	563-1117-ND	9.68	8.99	8.13	6.92	F251R-12L3C	
				12	.08	1.62	12	563-1121-ND	9.68	8.99	8.13	6.92	F251T-12LLC	
				5	.06	1.77	15	563-1109-ND	11.81	10.97	9.92	8.44	F251R-05LB	
				5	.05	1.41	11	563-1110-ND	11.81	10.97	9.92	8.44	F251R-05LLB	
		30 x 30 x 10	Sleeve	1 Sleeve/1 Ball	5	.04	1.24	9	563-1112-ND	11.81	10.97	9.92	8.44	F251R-05L3B
					5	.05	1.41	11	563-1119-ND	11.81	10.97	9.92	8.44	F251RF-05LLB
					12	.05	2.12	20	563-1113-ND	11.81	10.97	9.92	8.44	F251R-12MB
12					.03	1.41	11	563-1114-ND	11.81	10.97	9.92	8.44	F251R-12LLB	
12					.02	1.24	9	563-1116-ND	11.81	10.97	9.92	8.44	F251R-12L3B	
12					.04	1.77	15	563-1118-ND	11.81	10.97	9.92	8.44	F251R-12LB	
40 x 40 x 10	Sleeve	1 Sleeve/1 Ball	12	.03	1.41	11	563-1120-ND	11.81	10.97	9.92	8.44	F251RF-12LLB		
			5	.07	3.18	17	563-1123-ND	9.68	8.99	8.13	6.92	F310R-05LC		
			5	.05	2.12	13	563-1124-ND	9.68	8.99	8.13	6.92	F310R-05LLC		
			12	.04	3.18	17	563-1126-ND	9.68	8.99	8.13	6.92	F310R-12LC		
			12	.025	2.12	13	563-1127-ND	9.68	8.99	8.13	6.92	F310R-12LLC		
			5	.07	3.18	17	563-1122-ND	11.81	10.97	9.92	8.44	F310R-05LB		
41 x 41 x 12.2	Sleeve	1 Sleeve/1 Ball	5	.07	3.18	17	563-1128-ND	11.81	10.97	9.92	8.44	F310RF-05LB		
			12	.04	3.18	17	563-1125-ND	11.81	10.97	9.92	8.44	F310R-12LB		
			12	.04	3.18	17	563-1129-ND	11.81	10.97	9.92	8.44	F310RF-12LB		
			5	.08	3.88	12	563-1130-ND	9.39	8.73	7.89	6.72	F410T-05LC		
			5	.12	5.30	18	563-1132-ND	9.39	8.73	7.89	6.72	F410T-05MC		
			12	.04	3.88	12	563-1131-ND	9.39	8.73	7.89	6.72	F410T-12LC		
41 x 41 x 12.2	Sleeve	1 Sleeve/1 Ball	12	.06	5.30	18	563-1133-ND	9.39	8.73	7.89	6.72	F410T-12MC		
			5	.08	3.88	16	563-1135-ND	10.85	10.08	9.11	7.75	F412R-05LB		
			5	.10	5.30	23	563-1138-ND	10.85	10.08	9.11	7.75	F412R-05MB		
			12	.04	3.53	14	563-1134-ND	10.85	10.08	9.11	7.75	F412R-12LLB		
			12	.04	3.88	16	563-1136-ND	10.85	10.08	9.11	7.75	F412R-12LB		
			12	.06	5.30	23	563-1139-ND	10.85	10.08	9.11	7.75	F412R-12MB		
2	45 x 45 x 5	Sleeve	24	.03	3.88	16	563-1137-ND	10.85	10.08	9.11	7.75	F412R-24LB		
			24	.04	5.30	23	563-1140-ND	10.85	10.08	9.11	7.75	F412R-24MB		
2	45 x 45 x 5	Sleeve	5	.14	1.06	23	563-1141-ND	23.12	21.47	19.41	16.52	F455B-05MD		

Free shipping on orders over £50! All prices are in British pound sterling and include duties.