

Dim. in mm

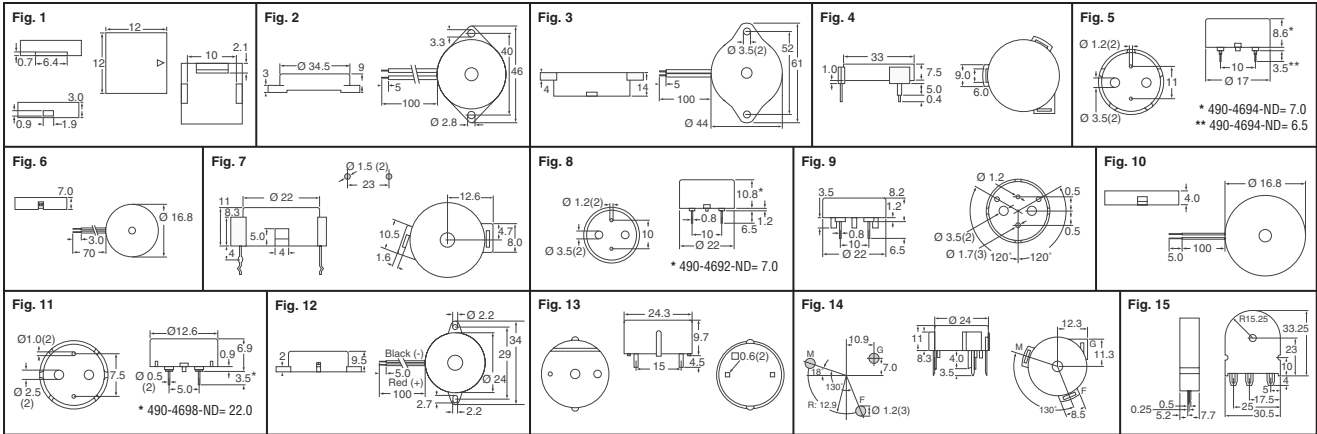


Fig.	Resonant Frequency (kHz)	Operating Voltage Maximum	Minimum SPL (dB)	Capacitance (pF)	Operating Temperature (°C)	Terminal	Digi-Key Part No.	1	10	100	Murata Part No.
1	4.0	25Vp-p	75	—	-20 ~ 70	SMD	490-4683-1-ND† 490-4683-2-ND†	1.32	1.15	1.06	PKLCS1212E4001-R1 PKLCS1212E4001-R1
2	1.1	40Vp-p	70	40,000	-20 ~ 70	Wire	490-4684-ND	1.39	1.16	.90	PKM34EWH1101C
3	1.2	60Vp-p	70	32,000	-20 ~ 70	Wire	490-4685-ND	1.36	1.14	.88	PKM34EWH1201C
4	1.0	30Vp-p	75	68,000	-20 ~ 70	Wire	490-4686-ND	2.05	1.70	1.32	PKM44EWH1001C
5	1.2	40Vp-p	68	40,000	-20 ~ 70	PCB Pin	490-4687-ND	2.12	1.76	1.37	PKM33EPH1201C
6	2.0	25Vp-p	70	34,000	-20 ~ 70	PCB Pin	490-4688-ND	.89	.75	.58	PKM17EPP-2002-B0
7	4.0	25Vp-p	72	7,000	-20 ~ 70	PCB Pin	490-4694-ND	.64	.53	.41	PKM17EPPH4001-B0
8	2.0	7.0Vp-p	72	40,000	-20 ~ 70	Wire	490-4689-ND	2.16	1.79	1.39	PKM17EWH2001
9	2.0	25Vp-p	75	17,000	-20 ~ 70	PCB Pin	490-4690-ND	1.00	.83	.65	PKM22EPH2001
10	2.0	25Vp-p	70	19,000	-20 ~ 70	PCB Pin	490-4691-ND	.71	.59	.46	PKM22EPPH2001-B0
11	4.0	25Vp-p	75	12,000	-20 ~ 70	PCB Pin	490-4692-ND	.76	.63	.49	PKM22EPPH4001-B0
12	4.0	25Vp-p	85	12,000	-20 ~ 70	PCB Pin	490-4695-ND	.81	.68	.53	PKM22EPPH4007-B0
13	4.0	25Vp-p	75	12,000	-20 ~ 70	PCB Pin	490-4693-ND	.76	.63	.49	PKM22EPPH4005-B0
14	4.0	25Vp-p	75	9,500	-20 ~ 70	Wire	490-4696-ND	1.10	.91	.71	PKM17EWH4000
15	4.0	30Vp-p	70	5,500	-40 ~ 85	PCB Pin	490-4697-ND	.46	.39	.30	PKM13EPYH4002-B0
16	4.0	30Vp-p	70	5,500	-40 ~ 85	PCB Pin	490-4698-ND	.38	.32	.25	PKM13EPYH4000-A0
17	3.3	20VDC	80	—	-20 ~ 70	Wire	490-4701-ND	4.09	3.40	2.64	PKB24SWH3301
18	3.6	15VDC	90	—	-20 ~ 70	PCB Pin	490-4702-ND	2.80	2.33	1.81	PKB24SPCH3601-B0
19	3.8	20VDC	90	—	-20 ~ 70	PCB Pin	490-4703-ND	1.18	.98	.76	PKM24SPH3805
20	2.5	20VDC	75	—	-20 ~ 70	PCB Pin	490-4704-ND	2.29	1.90	1.47	PKM30SPH2501-B0

† Cut Tape ‡ Tape and Reel

**AVX** Piezo Transducers

Dim. in mm

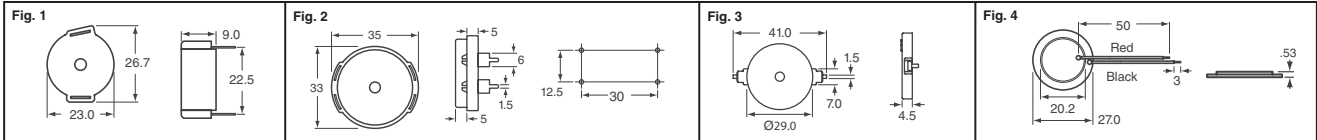
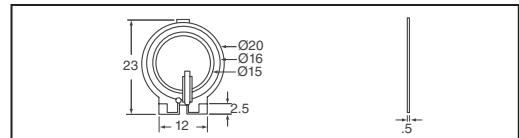


Fig.	Resonant Frequency (kHz)	Input Voltage Maximum	Minimum SPL (dB)	Resonant Impedance (Ω)	Static Capacitance (pF)	Digi-Key Part No.	1	10	100	AVX Part No.
1	2.0	30Vp-p	69	—	24,000	478-4762-ND	1.23	.84	.65	KBS-20DB-2P-10
2	2.0	30Vp-p	75	—	24,000	478-4763-ND	.71	.48	.38	KBS-20DB-2P-9
3	2.0	30Vp-p	70	—	48,000	478-4766-ND	1.56	1.06	.82	KBT-33SB-2T-2
4	3.0	30Vp-p	75	—	20,000	478-4765-ND	1.04	.71	.55	KBS-27DB-3T
5	4.6	30Vp-p	—	1,500	20,000	478-4764-ND	.71	.48	.38	KBS-27DA-5C-105

THIN FILM TECHNOLOGY  
**SSM SUSUMU CO., LTD**

Dim. in mm

**20mm Ultra Thin Light-weight Piezo Speaker**



Resonant Frequency (Hz)	Maximum Applied Voltage	Sound Pressure Level	Operating Temperature (°C)	Terminal	Digi-Key Part No.	1	10	100	Susumu Part No.
850 ~ 1250	10	>72dB	-30 ~ 60	SMD	408-1321-ND	4.53	3.32	2.71	HAP-BME-20-13N01

**Digi-Reel®** Most SMT cutdown parts are available on a Digi-Reel®. For Digi-Reel part number, change 1-ND to 6-ND or CT-ND to DKR-ND. See Digi-Key® Services on page 2 for additional information.

**Free shipping on orders over £50! All prices are in British pound sterling and include duties.**

2154 (UK091) uk.digikey.com — FREEPHONE: 0-800-587-0991 • 0-800-904-7786 — FREEFAX: 0-800-587-0992 • 0-800-904-7783