



Piezo Ceramic Audio Transducers — Self Drive Type with Feedback

Fig.	Resonant Frequency (kHz)	Operating Voltage (Maximum)	SPL (dB) min. @ Resonant Frequency	Current Consumption (Maximum)	Dimensions – mm				Digi-Key Part No.	Price Each					CUI Inc. Part No.
					D	H	S	L		1	10	100	500	1,000	
19	3.2	3 ~ 28VDC	74 @ 12VDC	7mA	24	10	—	6.5	102-1146-ND*	1.16	1.06	.85	.70	.62	CEP-1123
20	3.3	3 ~ 28VDC	82 @ 12VDC	7mA	—	—	—	—	102-1149-ND*	1.48	1.35	1.08	.90	.78	CEP-1173
21	3.2	3 ~ 28VDC	72 @ 12VDC	7mA @ 12VDC	24	10	—	5.5	102-1611-ND	1.56	1.42	1.14	.95	.83	CPE-503

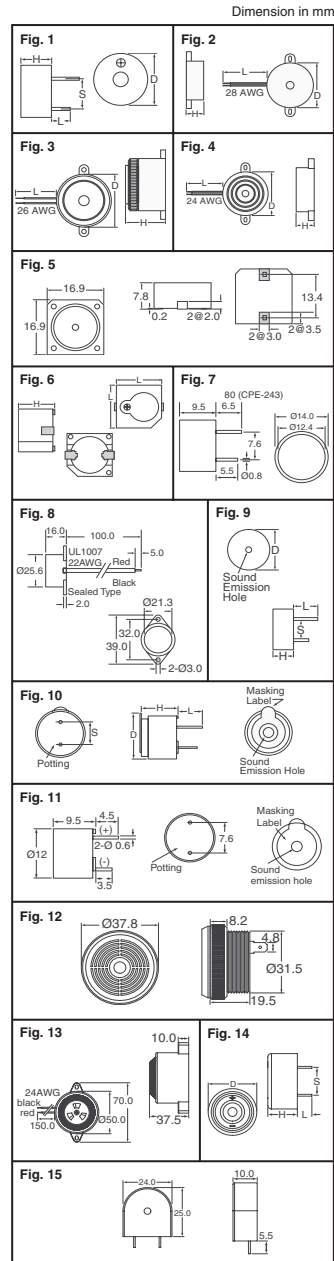
* Feedback circuit required

Buzzers Audio Indicators



Fig.	Resonant Frequency (kHz)	Input Voltage Range	SPL (dB) Min. @ Voltage	Max. Current Consumption (mA)	Dimensions – mm				Mode	Digi-Key Part No.	Price Each			CUI Inc. Part No.
					D	H	S	L			1	10	100	
Piezo Buzzers with Drive Circuits														
1	3.0	3 ~ 20VDC	85 @ 12VDC	11 @ 12VDC	24.2	16.0	15.0	6.0	Continuous	102-1116-ND◆	2.48	2.26	1.81	CPE-2202A
	3.0	3 ~ 20VDC	85 @ 12VDC	11 @ 12VDC	24.2	16.0	15.0	6.0	Continuous	102-1117-ND◆▲	2.69	2.45	1.97	CPE-2202AS
	3.4	3 ~ 20VDC	78 @ 12VDC	15 @ 12VDC	24	9.0	15	5.5	Continuous	102-1119-ND◆	1.82	1.66	1.33	CPE-2224
	3.5	3 ~ 20VDC	93 @ 12VDC	10 @ 12VDC	31.3	16	17.5	6.0	Continuous	102-1118-ND◆	2.53	2.31	1.85	CPE-2272A
	4.1	3 ~ 16VDC	70 @ 12VDC	7 @ 12VDC	13.7	7.6	7.62	6.2	Continuous	102-1115-ND◆▲	1.92	1.75	1.40	CPE-2242
2	2.7	3 ~ 20VDC	76 @ 12VDC	10 @ 12VDC	24	8.3	—	100	Continuous	102-1630-ND◆	2.04	1.86	1.49	CPE-220
	3.5	3 ~ 20VDC	93 @ 12VDC	10 @ 12VDC	32	13.5	—	140	Continuous	102-1120-ND◆	2.37	2.16	1.73	CPE-2260A
	4.5	3 ~ 28VDC	83 @ 12VDC	13 @ 12VDC	24	5	—	120	Continuous	102-1621-ND◆	1.28	1.17	.93	CPE-121
3	2.5 ~ 3.8	6 ~ 18VDC	88 @ 12VDC	17 @ 12VDC	32	23	—	140	Continuous	102-1121-ND	4.45	4.05	3.24	CPE-2280
	3.5	3 ~ 28VDC	85 @ 12VDC	6 @ 12VDC	28	25.4	—	150	Continuous	102-1122-ND◆	3.09	2.82	2.26	CPE-2250
	3.5	4 ~ 28VDC	87 @ 12VDC	6 @ 12VDC	28	25.4	—	150	Continuous	102-1632-ND◆	3.91	3.56	2.85	CPE-253
4	3.5	4 ~ 28VDC	82 @ 12VDC	5 @ 12VDC	28	25.4	—	150	Continuous	102-1631-ND◆	3.91	3.56	2.85	CPE-251
	0.3	9 ~ 14VDC	89 @ 12VDC	70 @ 12VDC	41.8	22	—	140	Continuous	102-1645-ND◆	4.87	4.43	3.55	CPE-460
	2.8	30 ~ 120VAC/DC	88 @ 110VAC	7 @ 110VAC	41.8	22	—	140	Continuous	102-1125-ND◆	3.96	3.60	2.88	CPE-4411AC
	2.8	3 ~ 16VDC	102 @ 12VDC	40 @ 12VDC	41.8	22	—	140	Continuous	102-1641-ND◆	4.79	4.36	3.49	CPE-420
	2.8	3 ~ 20VDC	88 @ 12VDC	10 @ 12VDC	41.8	16	—	145	Continuous	102-1640-ND◆	4.23	3.85	3.08	CPE-353A
	2.8	3 ~ 20VDC	92 @ 12VDC	12 @ 12VDC	41.8	16	—	140	Continuous	102-1637-ND◆	2.92	2.65	2.12	CPE-350A
	2.8	3 ~ 28VDC	81 @ 12VDC	8 @ 12VDC	41.8	16	—	140	Continuous	102-1639-ND◆	3.59	3.27	2.62	CPE-353
	2.8	3 ~ 28VDC	81 @ 12VDC	6 @ 12VDC	41.8	16	—	140	Continuous	102-1638-ND◆	3.75	3.42	2.73	CPE-351
	2.8	3 ~ 28VDC	85 @ 12VDC	7 @ 12VDC	41.8	16	—	140	Continuous	102-1635-ND◆	2.44	2.22	1.78	CPE-350
	3	60 ~ 250VAC/DC	92 @ 220VAC	13 @ 220VAC	41.8	22	—	140	Continuous	102-1644-ND◆	4.79	4.36	3.49	CPE-422AC
	3.1	3 ~ 20VDC	73 @ 12VDC	23.8 @ 12VDC	23.8	14.5	—	110	Continuous	102-1629-ND◆	2.18	1.99	1.59	CPE-200
	3.1	3 ~ 30VAC/DC	89 @ 12VAC	8 @ 12VAC	41.8	22	—	140	Continuous	102-1643-ND◆	3.48	3.16	2.53	CPE-400AC
	3.5	3 ~ 28VDC	86 @ 12VDC	5 @ 12VDC	33.7	14.5	—	140	Continuous	102-1634-ND◆	2.12	1.93	1.54	CPE-270
	3.5	8 ~ 18VDC	96 @ 12VDC	12 @ 12VDC	33.7	14.5	—	140	Continuous	102-1635-ND◆	2.92	2.65	2.12	CPE-270H
	3.5	8 ~ 18VDC	92 @ 12VDC	12 @ 12VDC	32	13.5	—	140	Continuous	102-1633-ND◆	3.08	2.80	2.24	CPE-260H
5	4.0	3 ~ 20VDC	83 @ 12VDC	8 @ 12VDC	—	—	—	—	Continuous	102-1196-5-ND◆	2.87	2.62	2.10	CMI-1240
	5.0	9 ~ 16VDC	80 @ 12VDC	35 @ 12VDC	—	—	—	—	Continuous	102-1281-ND◆*	5.36	4.65	3.58	CPE-243
7	5.0	9 ~ 16VDC	80 @ 12VDC	35 @ 12VDC	—	—	—	—	Continuous	102-1468-ND◆	4.97	4.52	3.62	CPE-244
	8	2.8	6 ~ 14VDC	85 @ 12VDC	35 @ 12VDC	—	—	—	Continuous	102-1282-ND◆*	6.51	5.65	4.35	CPE-267
12	3.6	6 ~ 28VDC	82 @ 12VDC	10 @ 12VDC	31.5	19.5	—	—	Continuous	102-1656-ND◆	8.94	8.14	6.51	CPE-753
	3.6	6 ~ 28VDC	80 @ 12VDC	7 @ 12VDC	31.5	19.5	—	—	Continuous/Fast Pulse	102-1657-ND◆	10.82	9.84	7.87	CPE-755
	3.6	6 ~ 28VDC	79 @ 12VDC	9 @ 12VDC	31.5	19.5	—	—	Continuous/Slow Pulse	102-1658-ND◆	10.35	9.41	7.53	CPE-757
	3.6	6 ~ 28VDC	80 @ 12VDC	8 @ 12VDC	31.5	19.5	—	—	Continuous/Fast Pulse	102-1659-ND◆	10.35	9.41	7.53	CPE-755S
	3.6	4 ~ 28VDC	80 @ 12VDC	7 @ 12VDC	31.5	19.5	—	—	Continuous	102-1660-ND◆	8.94	8.14	6.51	CPE-750P
	3.6	6 ~ 28VDC	80 @ 12VDC	8 @ 12VDC	31.5	19.5	—	—	Continuous/Fast Pulse	102-1661-ND◆	10.82	9.84	7.87	CPE-755P
	3.6	.7 ~ 15VDC	98 @ 12VDC	20 @ 12VDC	31.5	19.5	—	—	Continuous	102-1662-ND◆	10.59	9.62	7.70	CPE-750PA
	3.6	4 ~ 28VDC	80 @ 12VDC	8 @ 12VDC	31.5	19.5	—	—	Continuous	102-1654-ND◆	7.31	6.65	5.32	CPE-750
	3.6	6 ~ 28VDC	76 @ 12VDC	9 @ 12VDC	31.5	19.5	—	—	Continuous	102-1655-ND◆	8.94	8.14	6.51	CPE-751
	13	2.5	3 ~ 16VDC	100 @ 12VDC	58 @ 12VDC	50	37.5	—	150	Continuous	102-1642-ND◆	7.07	6.43	5.15
14	3.3	3 ~ 20VDC	81 @ 12VDC	13 @ 12VDC	23.8	12.2	12	6	Continuous	102-1625-ND◆	2.21	2.02	1.62	CPE-223
	3.4	3 ~ 20VDC	86 @ 12VDC	9 @ 12VDC	24.5	16	12	6	Continuous	102-1626-ND◆	2.18	1.99	1.59	CPE-203
	3	8 ~ 18VDC	96 @ 12VDC	11 @ 12VDC	32	14.7	17.5	6	Continuous	102-1627-ND◆	3.51	3.20	2.56	CPE-276H
	2.8	3 ~ 28VDC	89 @ 12VDC	10 @ 12VDC	42	14	25.4	6.5	Continuous	102-1628-ND◆	2.72	2.47	1.98	CPE-352
	3.2	8 ~ 18VDC	85 @ 12VDC	10 @ 12VDC	23.3	10.2	17.5	6.5	Continuous	102-1624-ND◆	2.92	2.65	2.12	CPE-232H
	3.2	8 ~ 18VDC	85 @ 12VDC	10 @ 12VDC	23.3	10.2	15	6.5	Continuous	102-1623-ND◆	2.87	2.62	2.10	CPE-222H
15	3.2	3 ~ 20VDC	75 @ 12VDC	10 @ 12VDC	24	10	12.5	5.5	Continuous	102-1622-ND◆	2.48	2.26	1.81	CPE-522
Magnetic Buzzers with Drive Circuits — RoHS Compliant														
6	2.4	4 ~ 7VDC	90 @ 5VDC	30 @ 5VDC	—	10	—	12.8	Continuous	102-1200-1-ND†	1.97	1.80	1.44	CT-1205C
	2.4	4 ~ 7VDC	90 @ 5VDC	30 @ 5VDC	—	10	—	12.8	Continuous	102-1200-2-ND†	333.50/320	—	—	CT-1205C
	2.4	4 ~ 7VDC	88 @ 5VDC	30 @ 5VDC	—	7.1	—	12.8	Continuous	102-1267-1-ND†	1.97	1.80	1.44	CT-1205CL
	2.4	4 ~ 7VDC	88 @ 5VDC	30 @ 5VDC	—	7.1	—	12.8	Continuous	102-1267-2-ND†	468.98/450	—	—	CT-1205CL
	2.4	8 ~ 15VDC	85 @ 12VDC	30 @ 12VDC	—	7.1	—	12.8	Continuous	102-1268-1-ND†	1.97	1.80	1.44	CT-1212CL
	2.4	8 ~ 15VDC	85 @ 12VDC	30 @ 12VDC	—	7.1	—	12.8	Continuous	102-1268-2-ND†	468.98/450	—	—	CT-1212CL
9	2.73	4 ~ 7VDC	80 @ 5VDC	35 @ 5VDC	9.6	5.0	5.0	5.5	Continuous	102-1285-ND▲	1.44	1.25	.96	CX-0905C
10	2.2	4 ~ 7VDC	85 @ 6VDC	50 @ 6VDC	16.0	14.0	7.6	7.0	Continuous	102-1466-ND	1.76	1.60	1.28	CX-1606C
	2.2	8 ~ 16VDC	85 @ 12VDC	35 @ 12VDC	16.0	14.0	7.6	7.0	Continuous	102-1467-ND	1.76	1.60	1.28	CX-1612C
11	2.3	8 ~ 16VDC	85 @ 12VDC	35 @ 12VDC	—	—	—	—	Continuous	102-1123-ND▲	1.68	1.53	1.22	CEM-1212C
	2.3	4 ~ 7VDC	85 @ 5VDC	35 @ 5VDC	—	—	—	—	Continuous	102-1124-ND▲	1.68	1.53	1.22	CEM-1205C

◆ RoHS Compliant ▲ Wave Solderable and Washable † Tape and Reel ‡ Cut Tape * Waterproof

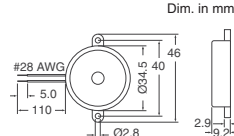


K

Piezo Telephone Ringer



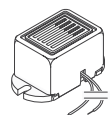
Sound Pressure Level	Electrostatic Capacitance (@ 1kHz)	Input Voltage (Max.)	Digi-Key Part No.	1	10	100	500	1,000	CUI Inc. Part No.
81dB @ 1.1kHz	43,000pF	30V p-p	102-1132-ND	1.24	1.13	.91	.75	.66	CEP-1141



9-15VDC Buzzer



Operates from 9-15VDC. Case size: 23mm(L) x 15mm(W) x 13.5mm(H) with mounting hole centers at 27mm.



140CU-ND 2.09/1; 19.17/10 (Continued)

Digi-Reel Most SMT cutdown parts are available on a Digi-Reel. For Digi-Reel part number, change 1-ND to 6-ND or CT-ND to DKR-ND. See Digi-Key Services on page 2 for additional information.

Free shipping on orders over £50! All prices are in British pound sterling and include duties.

uk.digikey.com — FREEPHONE: 0-800-587-0991 • 0-800-904-7786 — FREEFAX: 0-800-587-0992 • 0-800-904-7783

(UK091) 2149

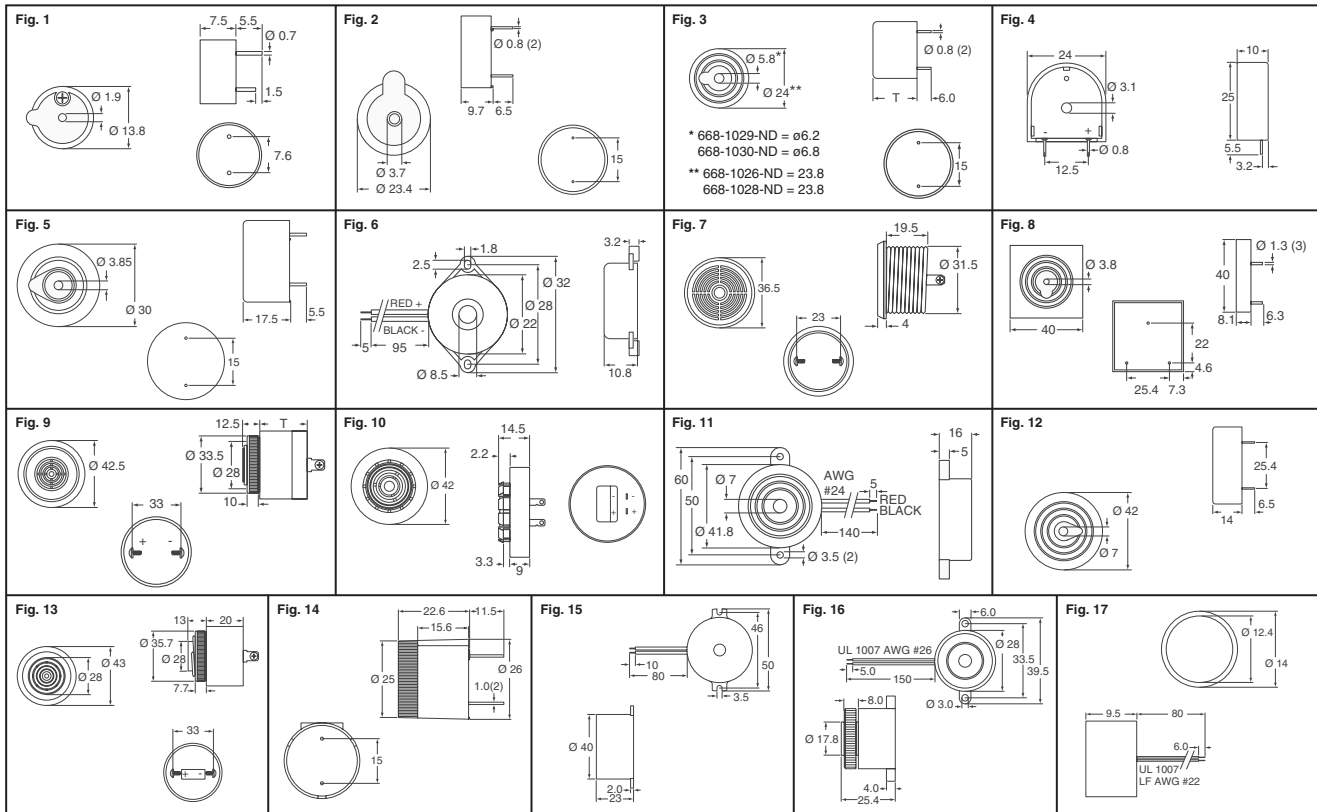


Fig.	Operating Voltage (VDC)	Rated Voltage (VDC)	Resonant Frequency (kHz)	SPL (dB)	Dim. T (mm)	Rated Current (mA)	Terminal	Digi-Key Part No.	1	10	100	500	Projects Unlimited Part No.
1	3 - 16	12	4.0	80	—	7	PCB Pin	668-1024-ND	2.53	2.31	1.85	1.54	AI-1440-TWT-12V-R
2	3 - 20	12	3.1	85	—	15	PCB Pin	668-1025-ND	3.27	2.98	2.39	1.98	AI-2331-TWT-R
3	3 - 20	12	2.9	95	16	8	PCB Pin	668-1026-ND	3.27	2.98	2.39	1.98	AI-2429-TWT-12V-3-R
3	8 - 18	12	2.9	95	16	10	PCB Pin	668-1027-ND	3.27	2.98	2.39	1.98	AI-2429-TWT-2-R
3	3 - 20	12	2.9	100	16	10	PCB Pin	668-1028-ND	3.27	2.98	2.39	1.98	AI-2429-TWT-R
3	3 - 16	12	3.7	100	18	8	PCB Pin	668-1029-ND	3.27	2.98	2.39	1.98	AI-2437-TWT-R
3	8 - 18	12	3.8	95	17.2	8	PCB Pin	668-1030-ND	3.27	2.98	2.39	1.98	AI-2438-TT-R
4	3.3 - 24	12	3.2	90	—	10	PCB Pin	668-1031-ND	3.40	3.09	2.47	2.05	AI-2532-ST-R
5	3 - 28	12	1.8	87	—	13	PCB Pin	668-1032-ND	3.65	3.33	2.66	2.21	AI-3018-TWT-R
6	3 - 28	12	4.5	90	—	5	Wire	668-1033-ND	2.68	2.44	1.95	1.62	AI-3245-TF-LW95-R
7	4 - 28	12	3.6	90	—	8	Screw	668-1034-ND	11.88	10.80	8.64	7.18	AI-3736-P-C28-R
8	3 - 20	12	3.3	95	—	8	PCB Pin	668-1035-ND	7.07	6.43	5.15	4.27	AI-4033-TWT-R
9	7 - 18	12	2.9	108	20	16	Screw	668-1036-ND	13.54	12.31	9.85	8.18	AI-4228-P-C18-R
9	60 - 250†	220VAC	2.8	94	29.5	18	Screw	668-1037-ND	26.06	23.69	18.95	15.73	AI-4228-P-C250-R
9	6 - 28†	12	2.8	90	20	10	Screw	668-1038-ND	26.06	23.69	18.95	15.73	AI-4228-P-C28D-R
9	6 - 28	12	2.8	88	20	10	Screw	668-1039-ND	13.54	12.31	9.85	8.18	AI-4228-P-C28-R
9	10 - 48	12	2.8	86	20	3	Screw	668-1040-ND	21.10	19.19	15.35	12.74	AI-4228-P-C48-R
9	6 - 16	12	2.9	86	20	11	Screw	668-1041-ND	17.91	16.29	13.03	10.82	AI-4228-P-CH16-R
9	30 - 120†	110VAC	2.8	92	20	20	Screw	668-1042-ND	26.06	23.69	18.95	15.73	AI-4228-P-FP120-R
9	7 - 18	12	2.9	108	20	16	Screw	668-1043-ND	17.91	16.29	13.03	10.82	AI-4228-P-FP18-R
9	6 - 28†	12	2.8	90	20	10	Screw	668-1044-ND	26.06	23.69	18.95	15.73	AI-4228-P-FP28D-R
9	7 - 18	12	2.9	108	20	16	Screw	668-1045-ND	17.91	16.29	13.03	10.82	AI-4228-P-SP18-R
9	6 - 28†	12	2.8	90	20	10	Screw	668-1046-ND	26.06	23.69	18.95	15.73	AI-4228-P-SP28D-R
9	6 - 28	12	2.8	88	20	6	Screw	668-1047-ND	17.91	16.29	13.03	10.82	AI-4228-P-SP28-R
10	6 - 16	12	2.9	88	—	10	Fast-On	668-1048-ND	17.91	16.29	13.03	10.82	AI-4228-S-FP16-R
11	3 - 20	12	2.8	106	—	10	Wire	668-1049-ND	3.46	3.14	2.52	2.09	AI-4228-TF-LW140-3-R
11	3 - 28	12	2.8	95	—	7	Wire	668-1050-ND	3.03	2.76	2.21	1.84	AI-4228-TF-LW140-4-R
11	3 - 20	12	2.8	95	—	10	Wire	668-1051-ND	5.71	5.20	4.16	3.45	AI-4228-TF-LW140-FP-R
11	3 - 20	12	2.8	98	—	10	Wire	668-1052-ND	5.71	5.20	4.16	3.45	AI-4228-TF-SP-LW145-R
12	3 - 28	12	2.8	99	—	10	PCB Pin	668-1053-ND	3.14	2.85	2.28	1.90	AI-4228-TWT-R
13	4 - 28	12	2.8	97	—	8	Screw	668-1054-ND	8.70	7.92	6.34	5.26	AI-4328-P-C28-2-R
13	4 - 28	12	2.9	88	—	6	Screw	668-1189-ND	7.81	6.08	5.21	4.78	AI-4329-P-SP28-R
13	30 - 120	110	2.8	98	—	17	Screw	668-1188-ND	10.73	8.35	7.16	6.56	AI-4328-P-C120D-R
14	5 - 14	12	2.9	107	—	35	PCB Pin	668-1055-ND	4.61	4.20	3.36	2.79	X-2629-TWT-R
15	1.5 - 12	6	3.3	106	—	9	Wire	668-1056-ND	6.67	6.07	4.85	4.03	X-4033-TF-LW80-R
16	4 - 28	12	3.5	92	—	5	Wire	668-1057-ND	5.83	5.30	4.24	3.52	XL-2835-TF-FP-LW150-R
16	3 - 28	12	3.5	95	—	6	Wire	668-1058-ND	5.83	5.30	4.24	3.52	XL-2835-TF-LW150-R
17	9 - 16	12	5.0	95	—	35	Wire	668-1059-ND†	9.37	8.52	6.81	5.66	AI-1450-TW-LW80-WP-R

† AC/DC Voltage ‡ Waterproof

Free shipping on orders over £50! All prices are in British pound sterling and include duties.

uk.digikey.com — FREEPHONE: 0-800-587-0991 • 0-800-904-7786 — FREEFAX: 0-800-587-0992 • 0-800-904-7783

(UK091) 2151

K

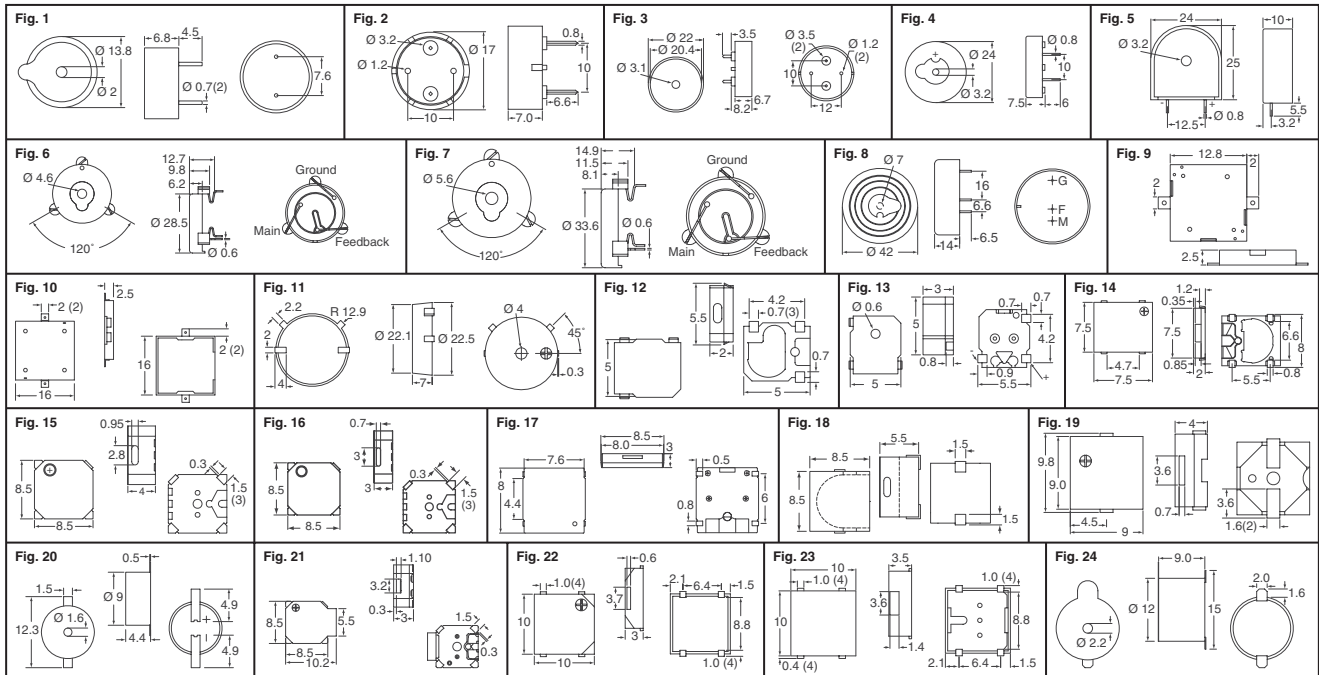
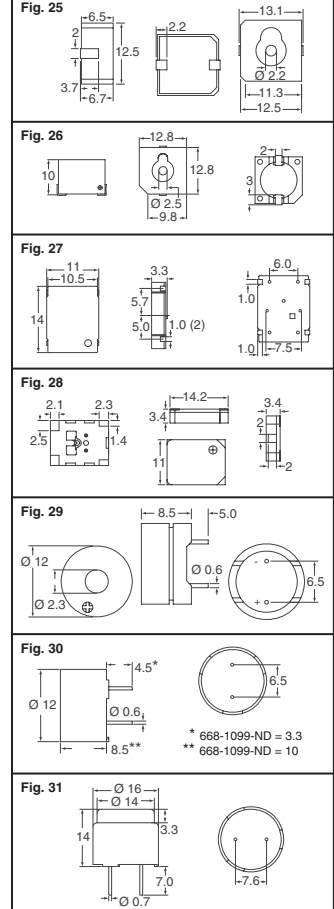


Fig.	Operating Voltage (Vpp)	Resonant Frequency (kHz)	SPL (dB)	Rated Current (mA)	Terminal	Digi-Key Part No.	Cut Tape Price Each			Tape and Reel Pricing		Projects Unlimited Part No.
							1	10	100	Qty.		
Piezo Audio Transducers — External Drive Type												
1	1 - 20	3.8	80	1.0	PCB Pin	668-1101-ND‡	1.54	1.40	1.12	—	—	AT-1438-TWT-R
2	1 - 30	4.0	78	1.0	PCB Pin	668-1111-ND‡	1.22	.98	.81	—	—	AT-1740-TT-R
3	1 - 30	3.5	75	3.0	PCB Pin	668-1102-ND‡	1.30	1.18	.95	—	—	AT-2235-TT-R
4	1 - 30	4.0	80	1.0	PCB Pin	668-1103-ND‡	1.30	1.18	.95	—	—	AT-2440-TWT-R
5	5 - 24	3.2	90	10	PCB Pin	668-1104-ND‡	1.66	1.51	1.21	—	—	AT-2532-ST-R
6	3 - 28	3.0	93	8.0	PCB Pin	668-1105-ND‡	1.66	1.51	1.21	—	—	AT-2830-TWT-R
7	3 - 28	2.5	85	7.0	PCB Pin	668-1106-ND‡	3.33	3.04	2.43	—	—	AT-3425-TWT-R
8	3 - 28	2.8	92	7.0	PCB Pin	668-1107-ND‡	2.08	1.89	1.52	—	—	AT-4228-TWT-F-R
9	1 - 25	4.1	75	5.0	SMD	668-1108-1-ND	2.79	2.33	1.86	1,000	1347.46	SMT-1341-T-R
10	1 - 25	4.0	70	3.0	SMD	668-1110-1-ND	1.89	1.58	1.27	800	732.97	SMT-1640-S-R
11	1 - 30	4.0	90	3.0	SMD	668-1109-1-ND	2.33	1.95	1.56	300	372.87	SMT-2240-TW-R
Magnetic Audio Transducers — External Drive Type												
12	2 - 4	4.0	78	100	SMD	668-1060-1-ND	2.55	2.13	1.70	2,000	1232.02/M	SMT-0540-S-R
13	2 - 4	4.0	78	100	SMD	668-1192-1-ND▲	2.90	2.42	1.94	2,000	1400.46/M	SMT-0540-T-6-R
14	2 - 4	4.0	78	100	SMD	668-1061-1-ND	2.66	2.22	1.78	2,000	1284.30/M	SMT-0540-T-2-R
15	2 - 5	2.7	85	120	SMD	668-1062-1-ND	3.25	2.71	2.17	1,000	1568.89	SMT-0727-S-R
15	4 - 6	2.0	70	70	SMD	668-1063-1-ND	3.25	2.71	2.17	1,000	1568.89	SMT-0820-S-R
15	2.5 - 4.5	2.1	87	90	SMD	668-1064-1-ND	3.25	2.71	2.17	1,000	1568.89	SMT-0821-S-R
15	2 - 5	2.1	87	90	SMD	668-1065-1-ND▲	3.25	2.71	2.17	1,000	1568.89	SMT-0821-T-R
15	3 - 7	2.3	87	70	SMD	668-1066-1-ND	3.25	2.71	2.17	1,000	1568.89	SMT-0823-S-R
15	2.5 - 4.5	2.5	87	90	SMD	668-1067-1-ND	3.25	2.71	2.17	1,000	1568.89	SMT-0825-S-2-R
15	2.5 - 4.5	2.5	87	90	SMD	668-1070-1-ND▲	3.25	2.71	2.17	1,000	1568.89	SMT-0825-T-R
15	2.5 - 4.5	2.7	87	90	SMD	668-1072-1-ND	3.25	2.71	2.17	1,000	1568.89	SMT-0827-S-2-R
15	2 - 5	3.6	90	90	SMD	668-1075-1-ND	3.25	2.71	2.17	1,000	1568.89	SMT-0836-S-R
16	2.5 - 4.5	2.5	85	90	SMD	668-1068-1-ND	3.25	2.71	2.17	1,000	1568.89	SMT-0825-S-4-R
16	2.5 - 4.5	2.7	85	90	SMD	668-1069-1-ND▲	3.25	2.71	2.17	1,000	1568.89	SMT-0825-T-2-R
16	2.5 - 4.5	2.7	85	90	SMD	668-1073-1-ND	3.25	2.71	2.17	1,000	1568.89	SMT-0827-S-3-R
17	2.5 - 4.5	2.63	90	90	SMD	668-1071-1-ND	3.25	2.71	2.17	1,000	1568.89	SMT-0826-S-R
17	2.5 - 4.5	2.7	85	100	SMD	668-1074-1-ND	3.25	2.71	2.17	1,000	1568.89	SMT-0827-S-R
18	2.5 - 4.5	2.73	85	80	SMD	668-1193-1-ND	3.25	2.71	2.17	600	941.33	SMT-1324-TW-3V-R
18	4 - 6	2.73	85	80	SMD	668-1194-1-ND	3.25	2.71	2.17	600	941.33	SMT-0827-SW-SV-R
19	1 - 2	2.73	85	100	SMD	668-1076-1-ND	3.57	2.98	2.39	1,000	1726.43	SMT-0927-S-3-R
19	2 - 4	2.73	85	100	SMD	668-1077-1-ND	3.57	2.98	2.39	1,000	1726.43	SMT-0927-S-4-R
19	3 - 7	2.73	85	80	SMD	668-1078-1-ND	3.57	2.98	2.39	1,000	1726.43	SMT-0927-S-5-R
20	2 - 4	2.73	85	80	SMD	668-1079-1-ND	3.57	2.98	2.39	800	1381.14	SMT-0927-T-R
21	2.5 - 4.5	2.5	85	90	SMD	668-1080-1-ND	3.03	2.53	2.02	1,000	1463.62	SMT-1025-S-R
21	2.5 - 4.5	2.7	87	90	SMD	668-1081-1-ND	3.03	2.53	2.02	1,000	1463.62	SMT-1027-S-2-R
22	1 - 2	2.7	85	80	SMD	668-1083-1-ND	3.03	2.53	2.02	1,000	1463.62	SMT-1027-S-R
22	2.5 - 4.5	2.7	85	80	SMD	668-1082-1-ND	3.03	2.53	2.02	1,000	1463.62	SMT-1027-S-3-R
23	3 - 4.6	2.83	93	100	SMD	668-1084-1-ND	3.03	2.53	2.02	1,000	1463.62	SMT-1028-S-R
23	3 - 4.6	2.83	90	100	SMD	668-1085-1-ND▲	3.03	2.53	2.02	1,000	1463.62	SMT-1028-T-R
24	2 - 5	2.0	80	35	SMD	668-1086-5-ND§	2.58	2.35	1.88	—	—	SMT-1220-TW-R
24	1 - 3	2.4	80	40	SMD	668-1087-5-ND§	2.58	2.35	1.88	—	—	SMT-1224-TW-R
25	4 - 8	2.4	85	30	SMD	668-1089-5-ND§	2.56	2.33	1.86	—	—	SMT-1324-TW-1V-R
25	4 - 8	2.4	85	40	SMD	668-1090-5-ND§	2.56	2.33	1.86	—	—	SMT-1324-TW-5V-R
25	8 - 16	2.4	85	40	SMD	668-1088-5-ND§	2.56	2.33	1.86	—	—	SMT-1324-TW-12V-R
26	4 - 8	2.4	85	40	SMD	668-1091-5-ND§	2.56	2.33	1.86	—	—	SMT-1324-TW-R
27	1.2 - 1.7	2.7	85	80	SMD	668-1092-1-ND	4.33	3.62	2.89	1,000	2095.24	SMT-1427-S-2-R
27	3 - 4.5	2.7	87	90	SMD	668-1093-1-ND	4.33	3.62	2.89	1,000	2095.24	SMT-1427-S-3-R
27	4 - 7	2.7	87	90	SMD	668-1094-1-ND	4.33	3.62	2.89	1,000	2095.24	SMT-1427-S-4-R
28	3 - 7	2.7	85	80	SMD	668-1095-1-ND	4.33	3.62	2.89	1,000	2095.24	SMT-1427-S-R
28	3 - 7	2.7	85	80	SMD	668-1096-1-ND▲	4.33	3.62	2.89	1,000	2095.24	SMT-1427-T-R
29	1 - 3	2.048	85	10	PCB Pin	668-1097-ND‡	.78	.71	.57	—	—	AT-1220-TT-R
30	3 - 8	2.4	85	40	PCB Pin	668-1098-ND‡	1.04	.95	.76	—	—	AT-1224-TWT-R
30	1 - 1.7	2.8	85	40	PCB Pin	668-1099-ND‡	1.04	.95	.76	—	—	AT-1228-TT-R
31	4 - 8	2.048	85	40	PCB Pin	668-1100-ND‡	1.34	1.22	.98	—	—	AT-1620-TWT-R

† For Tape and Reel part number, change 1-ND to 2-ND. ‡ Tray § Tube ▲ Top Sound Port



Digi-Reel® Most SMT cutdown parts are available on a Digi-Reel®. For Digi-Reel part number, change 1-ND to 6-ND or CT-ND to DKR-ND. See Digi-Key® Services on page 2 for additional information.

Free shipping on orders over £50! All prices are in British pound sterling and include duties.

2152 (UK091) uk.digikey.com — FREEPHONE: 0-800-587-0991 • 0-800-904-7786 — FREEFAX: 0-800-587-0992 • 0-800-904-7783