



CUI INC

## Notebook Speakers

Features: • Low profile rectangular design • Lightweight rugged resin frame • Wide frequency range • Low resonant frequency **Recommended Applications:** • Notebook Computers • Portable communication equipment • Multimedia equipment.

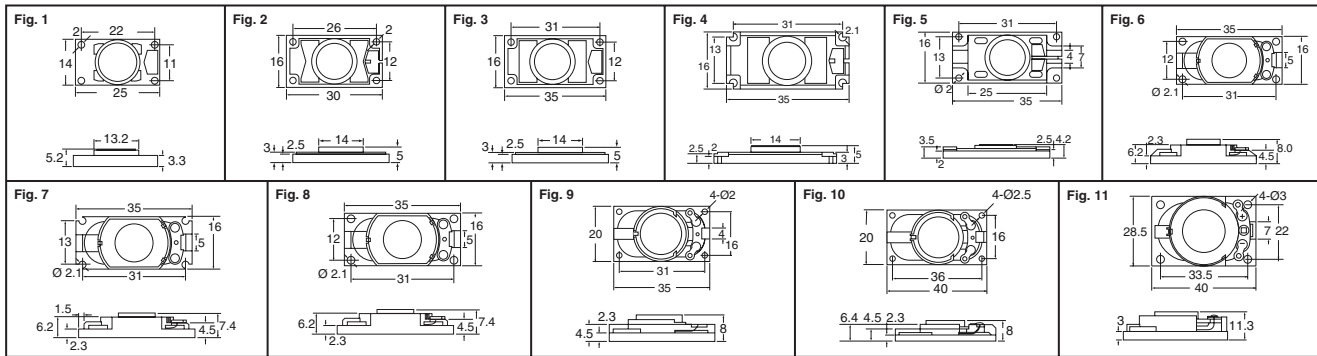


Fig.	Size (mm)	Depth (mm)	Frame Style	Resonant Freq. HZ ±20%	Frequency Range (HZ)	Impedance (Ω)	Power (W) Input		Magnet Size (mm)	Digi-Key Part No.	Price Each			CUI Inc. Part No.	
							Normal	Maximum			1	10	50		100
1	14 x 25	5.2	Plastic	600	600 - 20K	8	1.0	1.5	7.9 x 1.3	GC0251K-ND	3.01	2.41	2.11	2.01	GC0251K
2	16 x 30	5.0	Plastic	500	500 - 4K	8	0.5	1.0	7.9 x 1.3	GC0301K-ND	3.07	2.46	2.15	2.05	GC0301K
3	16 x 35	5.0	Plastic	650	650 - 20K	8	1.0	1.5	7.9 x 1.3	GC0351M-ND	2.83	2.27	1.99	1.89	GC0351M
4	16 x 35	5.0	Plastic	650	650 - 20K	8	1.0	1.5	7.9 x 1.3	GC0351M-3-ND	2.83	2.27	1.99	1.89	GC0351M-3
5	16 x 35	4.2	Plastic	650	650 - 20K	8	1.0	1.5	7.9 x 1.0	GC0351N-ND	2.83	2.27	1.99	1.89	GC0351N
6	16 x 35	8.0	Plastic	550	500 - 13K	8	1.0	2.0	8.0 x 2.0	GC0351P-ND	3.62	2.89	2.53	2.41	GC0351P
7	16 x 35	7.4	Plastic	630	630 - 13K	4	1.0	2.0	8.1 x 1.4	GC0351P-1-ND	3.62	2.89	2.53	2.41	GC0351P-1
8	16 x 35	7.4	Plastic	630	630 - 13K	8	1.0	2.0	8.1 x 1.4	GC0351P-3-ND	3.62	2.89	2.53	2.41	GC0351P-3
9	20 x 35	8.0	Plastic	550	550 - 11K	8	1.0	1.5	11.0 x 1.5	GC0351K-ND	3.40	2.72	2.38	2.27	GC0351K
10	20 x 40	8.0	Plastic	550	550 - 12K	8	1.0	1.5	11.0 x 1.5	GC0401S-ND	3.70	2.97	2.60	2.47	GC0401S
11	28.5 x 40	11.3	Plastic	390	390 - 20K	8	1.0	2.0	12.5 x 1.8	GC0401K-ND	3.70	2.97	2.60	2.47	GC0401K

◆ RoHS Compliant

## Panasonic Piezoelectric Ceramic Buzzer Units

Applications: • Smoke Detectors • Alarms • Detectors • Home Appliances • Radio Beepers • Electronic Games • Keyboard Signalers • Cameras • Telephone Ringers

Features: • Low power consumption • Long life and no noise due to non-contact • Thin thickness buzzer element • External drive type • Covering wide frequency range • No magnetic field is generated • High sound pressure level

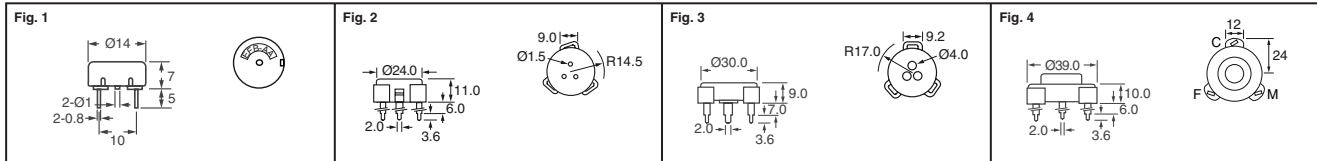
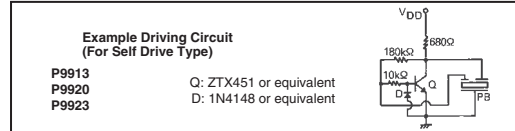
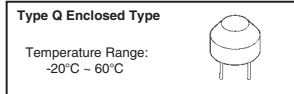


Fig.	Sound Pressure Level	Oscillating Frequency	Cap. (@ 1kHz)	Input Voltage	Digi-Key Part No.	Pricing					Panasonic Part No.	
						1	10	100	500	1,000		5,000
1	74dB min. @ (15V p-p, 4kHz Sq. Wave)	—	8500pF	25V p-p	P9900-ND	5.25	44.42	347.30	1223.67	2307.95	2154.05/M	EFB-AA14D001
2	93dB min. @ 10VDC	3.5kHz	—	3 - 20VDC	P9913-ND	8.40	71.08	555.68	1958.02	3692.44	3446.33/M	EFB-RM38C123
3	106dB min. @ 12VDC	3.7kHz	—	3 - 20VDC	P9920-ND	6.98	59.10	462.03	1628.06	3070.25	2865.53/M	EFB-RL37C20
4	106dB min. @ 12VDC	3.2kHz	—	3 - 20VDC	P9923-ND	11.21	94.84	741.43	2612.51	4926.64	4597.76/M	EFB-BD32B21

◆ RoHS Compliant † Driving circuit required. NOTE: All buzzers and microphones are non-washable.

## K Ultrasonic Ceramic Sensor/Transducer

Ultrasonic Ceramic Sensor consisting of a disc/bimorph type piezoelectric ceramic vibrator that is used as a sensor for transmitting and receiving ultrasonics in the air. Since the ultrasonic sensor has a resonance type vibrator, it is high in sensitivity and has outstanding sound pressure level. It has wide applications for burglar alarm systems, automatic door openers, flow rate detectors, and remote-control systems in TV, home appliance and toys, etc. Sensors are not washable.

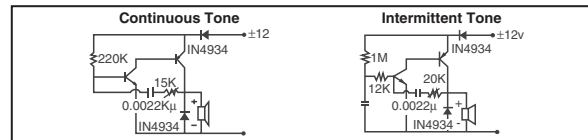
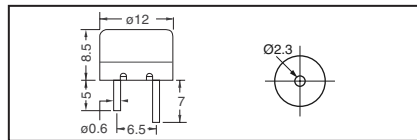


Type	Class	Ctr Frequency 51.0 (kHz)	Minimum Band-Width (kHz)	Sound Pressure Level (dB)	Maximum Input Voltage (Vrms)	Dimensions - mm				Digi-Key Part No.	Pricing			Panasonic Part No.		
						Physical Size Diameter	Height	Leads Length	Space		1	10	100		500	1,000
Q	Transmitter	40.0	1.0	105	20	18.0	12.0	12.5	7.5	P9893-ND	18.64	167.81	1491.64	5593.65	10441.48	EFR-TQB40KS

## Miniature Audio Transducer For General Application

For use in:

- Burglar Alarms • Paging Systems • Smoke Detectors • Gas Detectors • Light and Radiation Detectors • Data Entry Terminals • Cash Registers • Alarm Clocks • Fish Finders • Metal Detectors • Medical Equipment • Test Instruments • Telephones • Movie Cameras • Automotive Warning Systems • Production Machinery • Various Electronic Equipment



Rated Input (mW)	D.C. Resistance (Ω)	Impedance (Ω)	S. P. L. (dB/1 W/1 m)	Frequency (Hz)	Physical Size (mm)	Terminal	Digi-Key Part No.	Pricing			Panasonic Part No.	
								1	10	100		500
50	12	35	86	3.8K - 4.3K	12 x 8.5	Straight Pin	P9965-ND	3.22	28.58	231.01	814.00	EAF-12RF04C

Free shipping on orders over £50! All prices are in British pound sterling and include duties.

2144 (UK091) uk.digikey.com — FREEPHONE: 0-800-587-0991 • 0-800-904-7786 — FREEFAX: 0-800-587-0992 • 0-800-904-7783

**Sonalert® Audible Signal Devices (Buzzers)**

Dimensions in Inches

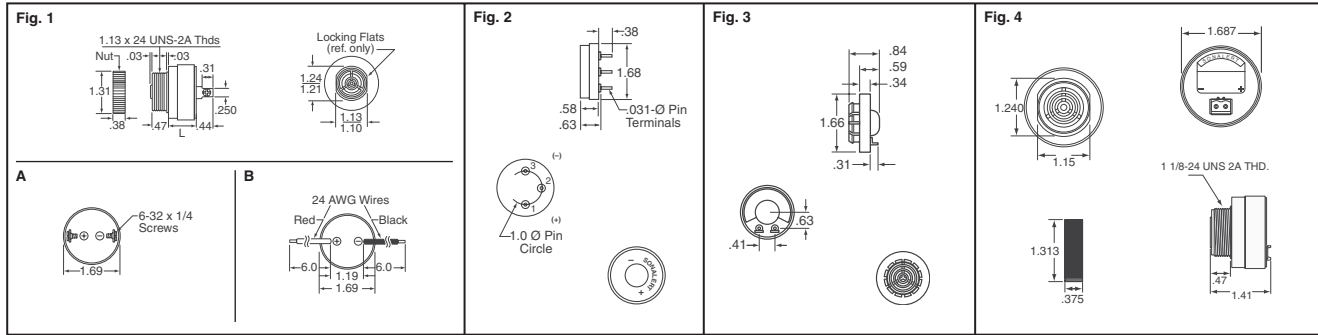


Fig.	Mounting Method	Dimension L (Inch)	Frequency ±500 (Hz)	Min. Sound Pressure dB (A) at Two Feet		Operating Voltage Range	Operating Current (mA)		Digi-Key Part No.	Price Each				Mallory Part No.
				@Min. (V)	@Max. (V)		@Min. (V)	@Max. (V)		1	10	25	50	
<b>Continuous Tones</b>														
1A	Panel	0.81	1,900 ±300	60	75	6 ~ 28VDC	6	23	458-1033-ND	18.77	16.96	15.04	14.13	SC628D
			2,900	60	75	1 ~ 5VDC	3	16	458-1012-ND	—	—	13.09	—	SC105
			2,900	80	90	3 ~ 7VDC	3	9	458-1021-ND	22.91	20.71	18.36	17.26	SC307N
			2,900	68	80	4 ~ 16VDC	4	14	458-1022-ND	16.33	14.76	13.09	12.30	SC416
			2,900	80	95	6 ~ 16VDC	6	22	458-1024-ND	20.58	18.60	16.50	15.51	SC616N
			2,900	68	80	6 ~ 28VDC	3	18	458-1029-ND	16.33	14.76	13.09	12.30	SC628
	Panel	1.38	2,900	80	90	6 ~ 28VDC	6	23	458-1036-ND	17.87	16.15	14.32	13.46	SC628N
			2,900	68	80	10 ~ 48VDC	5	22	458-1040-ND	17.02	15.38	13.64	12.82	SC648
			4,500	68	80	6 ~ 28VDC	6	23	458-1034-ND	20.76	18.77	16.64	15.64	SC628H
			1,900	60	75	30 ~ 120VAC/DC	6	21	458-1014-ND	36.29	32.79	29.08	27.33	SC110D
			2,000 ±300	75	95	6 ~ 28VDC	3	15	458-1037-ND	24.79	22.41	19.87	18.67	SC628ND
			2,900	68	80	30 ~ 120VAC/DC	6	21	458-1013-ND	33.61	30.38	26.93	25.32	SC110
2	Printed Board	—	2,900	64	78	4 ~ 28VDC	3	16	458-1011-ND	17.80	16.09	14.27	13.41	SBM428
			2,900	64	76	1 ~ 5VDC	3	12	458-1041-ND	15.26	13.79	12.23	11.49	SNP2
3	Snap In Panel	—	2,900	55	68	4 ~ 28VDC	3	18	458-1042-ND	15.26	13.79	12.23	11.49	SNP428
			2,900	64	76	1 ~ 5VDC	3	12	458-1041-ND	15.26	13.79	12.23	11.49	SNP2
4	Panel	—	2,900	95	105	6 ~ 16VDC	—	20	458-1101-ND♦	21.02	19.00	16.84	15.83	SCE016XD3CTB
			2,900	85	95	16 ~ 28VAC	—	20	458-1102-ND♦	—	—	29.72	—	SCE028LA3CTB
			2,900	85	95	16 ~ 28VDC	—	20	458-1103-ND♦	18.24	16.49	14.62	13.74	SCE028LD3CTB
			2,900	75	85	16 ~ 28VAC	—	20	458-1104-ND♦	29.05	26.25	23.28	21.88	SCE028MA3CTB
			2,900	75	85	16 ~ 28VDC	—	20	458-1105-ND♦	16.67	15.07	13.36	12.56	SCE028MD3CTB
			2,900	75	85	28 ~ 48VAC	—	20	458-1106-ND♦	—	—	23.43	—	SCE048MA3CTB
			2,900	75	85	48 ~ 120VAC	—	20	458-1107-ND♦	34.30	31.00	27.49	25.83	SCE120MA3CTB
<b>Intermittent Tones</b>														
1A	Panel	0.81	2,900	80	95	6 ~ 16VDC	6	22	458-1025-ND‡	26.40	23.86	21.16	19.89	SC616NJ
			2,900	80	95	6 ~ 16VDC	6	22	458-1027-ND‡	26.40	23.86	21.16	19.89	SC616NP
	Panel	1.38	2,000 ±300	85	95	10 ~ 28VDC	3	16	458-1038-ND‡	26.75	24.17	21.43	20.14	SC628NDP
			2,900	80	95	30 ~ 120VAC/DC	8	24	458-1018-ND‡	45.40	41.03	36.38	34.19	SC110NP
			2,900	80	95	6 ~ 28VAC/DC	4	30	458-1032-ND‡	40.29	36.41	32.28	30.34	SC628ANP
			2,900	68	80	6 ~ 28VDC	6	26	458-1035-ND‡	27.72	25.05	22.21	20.88	SC628J
Panel	1.94	2,900	68	80	6 ~ 28VDC	6	26	458-1039-ND‡	27.61	24.95	22.13	20.80	SC628P	
		2,900	68	80	30 ~ 120VAC/DC	6	22	458-1015-ND‡	—	—	25.53	—	SC110J	
<b>Chime Tone (Chimes Every One to Two Seconds)</b>														
1A	Panel	1.38	2,900	68	78	6 ~ 16VDC	6	23	458-1023-ND	32.06	28.97	25.69	24.14	SC616CP
<b>Optical/Audible Signal Devices (Contains a Blinking LED in the Front of the Alarm)</b>														
1A	Panel	0.81	2,900	80	95	6 ~ 16VDC	40@6	60@16	458-1002-ND	44.66	40.36	35.79	33.64	LSC616N
			2,900	88	98	3 ~ 120VAC/DC	5@30	16@120	458-1000-ND	—	—	34.74	—	LSC110N
	Panel	1.38	2,900	85	95	6 ~ 28VAC/DC	4@6	48@28	458-1003-ND	57.45	51.92	46.03	43.27	LSC628AN
<b>Accessories — RoHS Compliant</b>														
Pluggable Screw Terminal Block for SCE Series .....									458-1108-ND	1.46	1.32	1.17	1.10	ACC02
Neoprene Gasket for SCE Series.....									458-1109-ND	.27	.24	.22	.20	ACC03

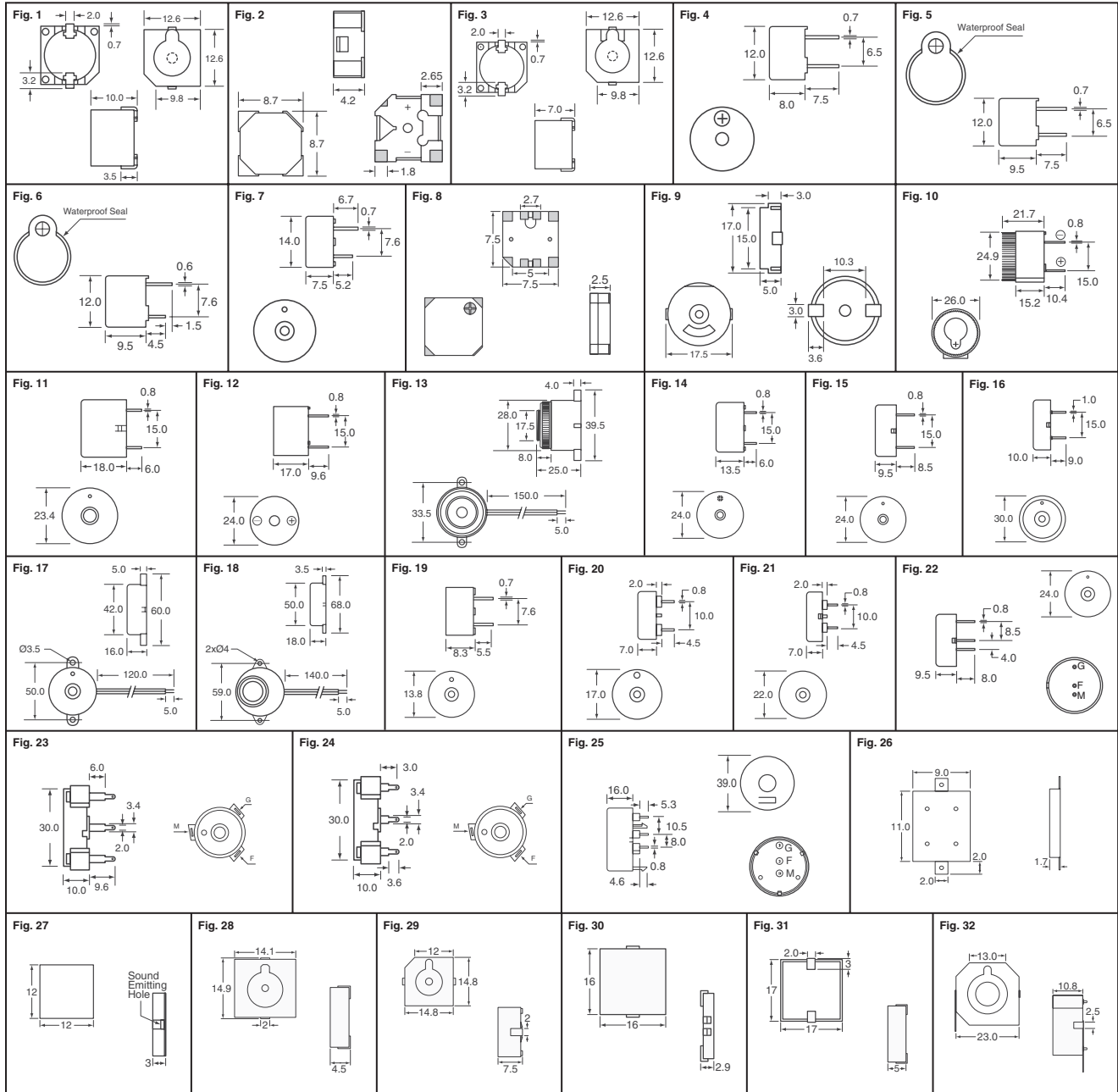
**K**

♦ RoHS Compliant  
‡ Fast = Turns on and off at 2 to 10 pulses per second depending upon voltage at 50% duty cycle.  
† Slow = Turns on and off at 0.5 to 2 pulses per second depending upon voltage at 50% duty cycle.

**Free shipping on orders over £50! All prices are in British pound sterling and include duties.**

uk.digikey.com — FREEPHONE: 0-800-587-0991 • 0-800-904-7786 — FREEFAX: 0-800-587-0992 • 0-800-904-7783

(UK091) 2145



**K**

Fig.	Resonant Frequency (kHz)	Operating Voltage Range	Rated Voltage	Sound Pressure Level (dB)	Current Consumption Max (mA)	Operating Temperature Range °C	Digi-Key Part No.	Price Each				Tape and Reel Qty.		Mallory Part No.
								1	10	100	500	Qty.	Pricing	
<b>Magnetic Buzzers</b>														
1	2.400	4.0 - 7.0Vdc	5.0Vdc	90	30	-20 - 70	458-1049-ND†	4.25	3.11	2.54	2.29	—	—	AS1301Q
1	2.400	9.0 - 15Vdc	12Vdc	90	50	-20 - 70	458-1050-ND†	4.25	3.11	2.54	2.29	—	—	AS1401Q
2	2.731	2.0 - 5.0Vp-p	3.0Vp-p	85	80	-20 - 70	458-1052-ND	5.76	4.26	3.53	3.23	—	—	AST200Q
3	2.400	1.0 - 2.0Vp-p	1.5Vp-p	85	50	-20 - 70	458-1053-ND†	4.09	2.91	2.39	2.13	—	—	AST501Q
3	2.400	4.0 - 7.0Vp-p	5.0Vp-p	87	50	-20 - 70	458-1054-ND†	3.97	2.82	2.32	2.06	—	—	AST605Q
4	2.048	1.25 - 2.5Vp-p	1.5Vp-p	85	40	-20 - 70	458-1061-ND	2.07	1.36	1.10	.97	—	—	PB-1220PQ
5	2.400	4.5 - 5.5Vp-p	5.0Vp-p	85	50	-20 - 70	458-1062-ND	1.45	.94	.72	.64	—	—	PB-1224PE-05Q
6	2.300	2.0 - 5.0Vdc	3.0Vdc	85	30	-20 - 70	458-1063-ND	4.40	3.22	2.63	2.37	—	—	PB-12N23P-03Q
6	2.300	4.5 - 5.5Vdc	5.0Vdc	85	50	-20 - 70	458-1064-ND	4.40	3.22	2.63	2.37	—	—	PB-12N23P-05Q
6	2.300	9.0 - 15Vdc	12Vdc	85	50	-20 - 70	458-1065-ND	4.40	3.22	2.63	2.37	—	—	PB-12N23P-12Q
7	4.100	3.0 - 15Vdc	12Vdc	85	10	-20 - 70	458-1066-ND	4.59	3.36	2.74	2.47	—	—	PK-12N40PQ
8	2.700	2.5 - 4.5Vp-p	3.6Vp-p	85	100	-30 - 70	458-1100-1-ND†	2.00	1.32	1.07	.94	1,000	951.06	AST7525MATRQ

† For Tape and Reel part number, change 1-ND to 2-ND

(Continued)

**Free shipping on orders over £50! All prices are in British pound sterling and include duties.**

Fig.	Resonant Frequency (kHz)	Operating Voltage Range	Rated Voltage	Sound Pressure Level (dB)	Current Consumption Max (mA)	Operating Temperature Range °C	Digi-Key Part No.	Price Each				Tape and Reel Qty. Pricing		Mallory Part No.
								1	10	100	500	Qty.	Pricing	
<b>Piezo Buzzers</b>														
9	4.000	3.0 - 15Vp-p	5.0Vp-p	80	1.5	-20 - 70	458-1051-ND†	2.76	1.91	1.56	1.38	—	—	AST100Q
10	2.800	9.0 - 12Vdc	12Vdc	103	50	-20 - 90	458-1056-ND	8.22	6.26	5.36	4.83	—	—	MAS800SQ
10	2.700	6.0 - 14Vdc	6.0Vdc	95	50	-20 - 90	458-1057-ND	9.13	7.11	5.89	5.48	—	—	MAS806Q
11	2.500	3.0 - 20Vdc	12Vdc	95	20	-20 - 70	458-1059-ND	5.72	4.24	3.50	3.21	—	—	MCP320B2Q
11	2.500	3.0 - 24Vdc	12Vdc	95	25	-20 - 70	458-1067-ND	5.97	4.30	3.59	3.35	—	—	PK-20A25PQ
11	3.800	3.0 - 24Vdc	12Vdc	95	15	-20 - 70	458-1069-ND	5.58	4.13	3.42	3.13	—	—	PK-20A38PQ
12	3.150	3.0 - 20Vdc	12Vdc	74	20	-20 - 85	458-1060-ND	5.25	3.89	3.22	2.94	—	—	MCP320Q
13	3.500	3.0 - 24Vdc	12Vdc	95	10	-20 - 70	458-1068-ND	5.83	4.32	3.57	3.27	—	—	PK-20A35EWQ
14	3.000	3.0 - 24Vdc	12Vdc	85	18	-20 - 70	458-1070-ND	6.28	4.53	3.77	3.52	—	—	PK-21A31PQ
15	3.000	1.5 - 30Vdc	12Vdc	80	12	-20 - 70	458-1071-ND	4.70	3.44	2.81	2.54	—	—	PK-21N30PQ
15	3.000	5.0 - 30Vp-p	5.0Vp-p	90	5	-20 - 90	458-1080-ND	3.18	2.20	1.80	1.59	—	—	PT-2130PQ
16	2.500	3.0 - 28Vdc	12Vdc	90	8	-20 - 70	458-1072-ND	5.36	3.97	3.28	3.00	—	—	PK-27N26PQ
16	3.500	3.0 - 28Vdc	12Vdc	90	15	-20 - 70	458-1073-ND	5.36	3.97	3.28	3.00	—	—	PK-27N36PQ
16	2.500	3.0 - 30Vp-p	5.0Vp-p	90	1.5	-20 - 70	458-1081-ND	3.20	2.21	1.80	1.61	—	—	PT-2726PQ
17	2.500	5.0 - 15Vdc	12Vdc	100	40	-20 - 70	458-1074-ND	7.68	5.85	5.01	4.60	—	—	PS-562Q
18	2.800	5.0 - 15Vdc	12Vdc	100	150	-20 - 70	458-1075-ND	9.03	6.95	5.83	5.42	—	—	PS-580Q
19	4.100	3.0 - 20Vp-p	5.0Vp-p	80	2	-20 - 70	458-1076-ND	4.04	2.92	2.40	2.14	—	—	PT-1240PQ
20	4.000	3.0 - 25Vp-p	5.0Vp-p	85	1.5	-20 - 100	458-1077-ND	2.09	1.38	1.12	.99	—	—	PT-1540PQ
21	4.000	3.0 - 30Vp-p	5.0Vp-p	90	1.5	-20 - 90	458-1078-ND	1.91	1.30	1.00	.89	—	—	PT-2040PQ
22	3.000	1.5 - 30Vdc	12Vdc	80	12	-20 - 90	458-1079-ND	3.16	2.18	1.78	1.58	—	—	PT-2130PQ
23	3.500	3.0 - 28Vdc	12Vdc	88	10	-20 - 90	458-1083-ND	3.18	2.20	1.79	1.59	—	—	PT-2735FPLQ
24	3.500	3.0 - 28Vdc	12Vdc	88	10	-20 - 90	458-1084-ND	3.31	2.28	1.86	1.66	—	—	PT-2735FPQ
25	3.400	3.0 - 28Vdc	9.0Vdc	105	12	-20 - 100	458-1085-ND	3.81	2.71	2.22	1.98	—	—	PT-3534FPQ
26	4.100	1.0 - 20Vp-p	5.0Vp-p	73	1.0	-20 - 70	458-1093-1-ND†	2.05	1.35	1.09	.96	1,000	972.84	AST1109MLTRQ
27	4.000	1.0 - 25Vp-p	3.0Vp-p	75	5	-20 - 70	458-1094-1-ND†	1.72	1.17	.91	.80	1,000	806.59	AST1240MLTRQ
28	4.000	1.0 - 20Vp-p	5.0Vp-p	75	2	-30 - 70	458-1095-1-ND†	2.17	1.47	1.14	1.00	600	497.46	AST1440MATRQ
29	3.650	1.0 - 30Vp-p	7.0Vp-p	85	5	-30 - 70	458-1096-1-ND†	2.01	1.35	1.06	0.90	300	249.82	AST1575BMATRQ
30	4.000	1.0 - 25Vp-p	3.0Vp-p	75	5	-30 - 70	458-1097-1-ND†	1.84	1.25	.97	.85	800	689.99	AST1628MATRQ
31	4.000	1.0 - 20Vp-p	5.0Vp-p	80	2.5	-30 - 70	458-1098-1-ND	1.76	1.13	.87	0.75	400	252.07	AST1750MATRQ
32	4.000	1.0 - 30Vp-p	9.0Vp-p	100	8.0	-30 - 70	458-1099-1-ND	1.85	1.23	0.90	0.78	—	—	AST2311MATRQ

† For Tape and Reel part number, change 1-ND to 2-ND

† 458-KIT-ND SMD Buzzer Kit 2 each of 12 popular values. Conveniently packaged in a plastic box with bin guide.....43.56

**Sonalert® Audible Signal Devices**



**Features:** • Low Power Consumption • Low Cost • Compact Profile • Piezo Tone Quality • Extra Loud Sound Output • PCB Mount

**Specifications:** • Operating Temperature: -20°C - 65°C

**Applications:** • Fire Alarm • Crime Prevention Alarm • Call Buzzer • Automotive • Clocks • P.O.S. Equipment • Medical Instruments • Electrical Instruments • Industrial and Safety Equipment

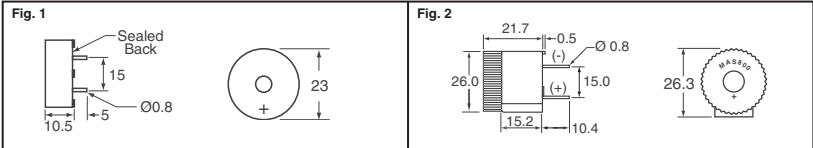


Fig.	Frequency ±400 (Hz)	Min. Sound Pressure dB (A) @ Two Feet		Operating Voltage DC (V)	Operating Current (mA)		Pulse Rate Per Second	Digi-Key Part No.	Price Each			Mallory Part No.
		@ Min. V	@ Max. V		@ Min. V	@ Max. V			1	10	25	
1	3850	75	86	5-16	3	14	Continuous	458-1088-ND	5.82	5.39	4.84	4.37
	3900	75	86	5-16	3	12	.5 - 2 (Slow)	458-1089-ND	6.40	5.93	5.32	4.81
	3900	75	86	5-16	3	12	2 - 10 (Fast)	458-1090-ND	6.11	5.66	5.08	4.59
	3800 Avg.	75	86	5-16	3	12	2 - 4 (Siren)	458-1092-ND	10.41	9.63	8.65	7.81
	3700 Avg.	75	86	5-16	3	12	5 - 7 (Whooping)	458-1091-ND	10.43	9.65	8.66	7.82
	3400	75	86	3-20	3	16	Continuous	458-1087-ND	3.67	3.40	3.05	2.76
2	2800 ± 500 (Hz)	80	93	9-12	—	50	Continuous	458-1086-ND	7.09	6.56	5.89	5.32

**TDK Audio Transducers**

Dim. in mm

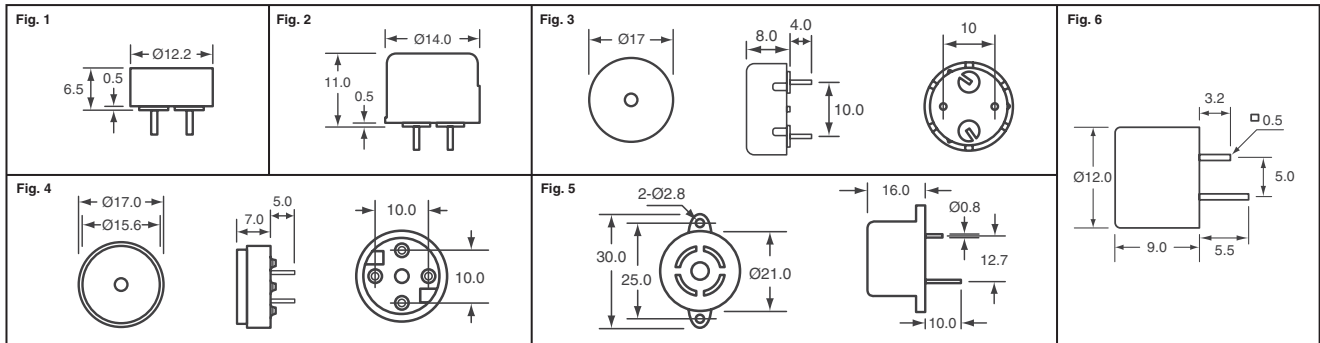


Fig.	Resonant Frequency (kHz)	Operating Voltage Range	Rated Voltage	Sound Pressure Level (dB)	Operating Temperature Range °C	Digi-Key Part No.	Cut Tape Price Each			Digi-Key Part No.	Tape and Box Qty. Pricing		TDK Part No.
							1	10	100		Qty.	Pricing	
1	4.0	3 - 30Vp-p	3Vp-p	70	-20 - 70	445-2525-1-ND	.28	.26	.21	445-2525-3-ND	500	77.68	PS1240P02AT
2	2.0	5 - 30Vp-p	5Vp-p	70	-20 - 70	445-2526-1-ND	.42	.39	.31	445-2526-3-ND	350	81.06	PS1420P02AT
3	2.0	3 - 30Vp-p	3Vp-p	70	-20 - 70	445-2527-ND	.37	.34	.28	—	—	—	PS1720P02
4	4.0	3 - 20Vp-p	3Vp-p	75	-20 - 70	445-2528-ND	.35	.32	.26	—	—	—	PS1740P02
5	3.3	4 - 15Vdc	12Vdc	75	-20 - 60	445-2529-ND	2.89	2.63	2.11	—	—	—	PB2130UP002A
6	2.048	1 - 4Vp-p	3Vp-p	80	-40 - 85	445-2530-ND	.94	.86	.69	—	—	—	SD1209T3-A1
							445-2531-ND	.94	.86	.69	—	—	—

**Free shipping on orders over £50! All prices are in British pound sterling and include duties.**

uk.digikey.com — FREEPHONE: 0-800-587-0991 • 0-800-904-7786 — FREEFAX: 0-800-587-0992 • 0-800-904-7783

(UK091) 2147