

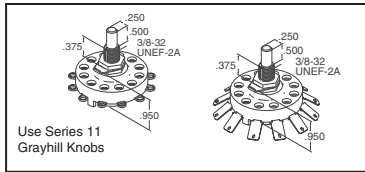


Rotary Switches (Cont.)

Series 19

Grayhill's Series 19 Single Deck Rotary Switches are 2 inches in diameter and are rated for 15Amps @ 120VAC. UL Recognized. Rugged Construction

- Contacts: Non-shorting
- Rotational Torque: 30 to 75 oz-inch
- Hardware included



Description	Digi-Key Part No.	Price Each				Grayhill Part No.
		1	25	100	250	
4 Position, Solder Terminal	GH7283-ND	21.00	16.80	12.60	10.50	19001-04UL
6 Position, Solder Terminal	GH7284-ND	23.04	18.44	13.83	11.53	19001-06UL
8 Position, Solder Terminal	GH7285-ND	25.10	20.08	15.06	12.55	19001-08UL
10 Position, Solder Terminal	GH7286-ND	27.12	21.70	16.28	13.56	19001-10UL
4 Position, .250 Quick Connect	GH7287-ND	21.00	16.80	12.60	10.50	19101-04UL
6 Position, .250 Quick Connect	GH7288-ND	23.04	18.44	13.83	11.53	19101-06UL
8 Position, .250 Quick Connect	GH7289-ND	25.10	20.08	15.06	12.55	19101-08UL
10 Position, .250 Quick Connect	GH7290-ND	27.12	21.70	16.28	13.56	19101-10UL

• RoHS Compliant

Series 11 Knobs for Rotary Switches and Encoders



Features:

- Color: Black (Contact Digi-Key for Gray color)
- Material: N = Nylon A = ABS
- Spring Clip (press on) or Metal insert with set screw

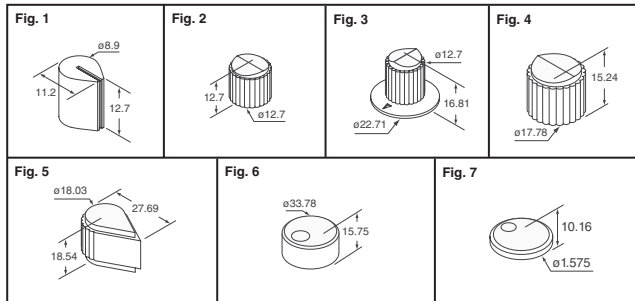


Fig.	Shaft Dia. (Inches)	Set Screw	Spring Clip	Digi-Key Part No.	1	Price Each	25	Grayhill Part No.
1	.125	No	Yes	GH7335-ND	1.04	.96	.88	11K5017-JCNB
2	.125	No	Yes	GH7336-ND	.44	.40	.37	11K5029-JCNB
3	.125	Yes	No	GH7337-ND	2.43	2.23	2.05	11K5015-JMNB
	.250	Yes	No	GH7338-ND	1.21	1.12	1.02	11K5015-KMNB
4	.250	No	Yes	GH7339-ND	2.43	2.23	2.05	11K5014-KCNB
5	.250	No	Yes	GH7340-ND	.44	.40	.37	11K5028-KCNB
6	.250	Yes	No	GH7341-ND	2.47	2.27	2.08	11K5013-KMNB
7	.250	No	Yes	GH7342-ND	.52	.48	.44	11K5020-KCAB

CTS Adjustable Stop Rotary Switches



Specifications: • Adjustable stop allows you to limit the number of switch positions as needed • **Rotor Contact:** Standard with Silver plated Brass • **Rotor:** Standard with Nylon maximum temperature requirements of 125°C • **Voltage and Current ratings:** UL ratings are 3/4 amp at 125 volts AC; 1/4 amp at 250 volts DC; 1/2 amp at 125 volts DC (non-shorting contacts) • **Contact Resistance:** .008 - .010Ω • **Contact Life:** Silver plated brass, solid silver rotor contacts, and silver plated brass stator contacts provide a minimum reliable life of over 1,100,000 operations or of 50,000 cycles through twelve positions and return without appreciable rise in contact resistance.

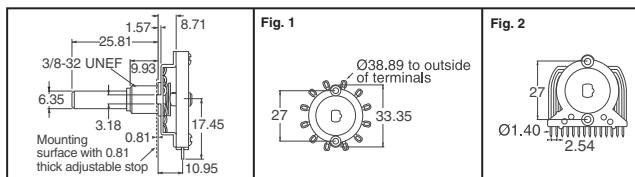
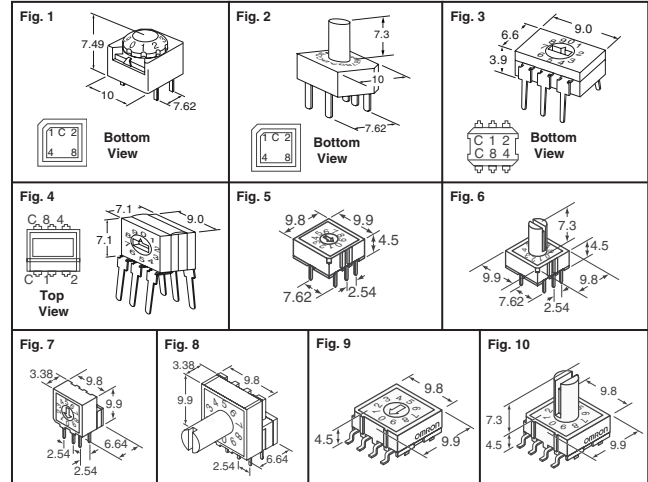


Fig.	Angle of Throw	Type	Terminals	No. Poles	No. Pos.	No. Decks	Current Rating Amps	Digi-Key Part No.	Price Each		
									1	10	50
1	30°	Non-Short Shorting	Solder Lug	SP	12	11	3/4A-125VAC	CT2121-ND	5.51	5.13	4.26
								CT2122-ND	5.51	5.13	4.26
2	30°	Non-Short Shorting	Printed Circuit	SP	12	11	3/4A-125VAC	CT2123-ND	6.01	5.59	4.64
								CT2124-ND	5.97	5.57	4.62

OMRON Rotary DIP Switches

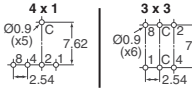


LIFE EXPECTANCY: • Mechanical: 10,000 operations minimum (A6R 5,000) • Electrical: 2,000 operations minimum • **Contact Resistance:** 200mΩ.



TERMINAL ARRANGEMENT

A6A and A6R Top-Actuated



RF-P and RS-P Top-Actuated



A6RV Side-Actuated

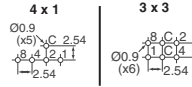


Fig.	No. of Pos.	Output Code Type	Switching Capacity mA VDC	Terminal Arrangement	Digi-Key Part No.	Price Each				Omron Part No.
						1	25	50	100	
1	10	BCD	100	28	SW220-ND	4.12	3.71	3.30	2.97	A6A-10R
	16	Hexdec.			SW221-ND	4.28	3.85	3.43	3.08	A6A-16R
	16	Hexcomp.			SW894-ND	3.80	3.43	3.05	2.74	A6A-16C
2	10	BCD	100	28	SW214-ND	4.67	4.21	3.74	3.37	A6A-10RS
	16	Hexdec.			SW215-ND	4.87	4.39	3.90	3.51	A6A-16RS
	16	Hexdec.			SW222-ND	5.17	4.66	4.14	3.73	A6A-10RW
3	10	BCD	100	30	SW223-ND	5.34	4.80	4.27	3.84	A6A-16RW
	16	Hexdec.			SW895-ND	5.34	4.80	4.27	3.84	A6A-16CW
	16	Hexdec.			SW216-ND	2.75	2.48	2.20	1.98	A6C-10R(N)
4	10	BCD	100	30	SW217-ND	2.90	2.62	2.33	2.10	A6C-16R(N)
	16	Hexdec.			SW218-ND	3.78	3.41	3.03	2.73	A6CV-10R
	16	Hexdec.			SW219-ND	4.00	3.60	3.20	2.88	A6CV-16R
5	10	BCD	25	24	SW917-ND	2.22	2.00	1.78	1.60	A6R-101RF
	16	Hexdec.			SW921-ND	2.37	2.14	1.90	1.71	A6R-161RF
	16	Hexdec.			SW751-ND	2.22	2.00	1.78	1.60	A6R-102RF
6	10	BCD	25	24	SW752-ND	2.37	2.14	1.90	1.71	A6R-162RF
	16	Hexdec.			SW918-ND	2.44	2.20	1.96	1.76	A6R-101RS
	16	Hexdec.			SW922-ND	2.59	2.34	2.08	1.87	A6R-161RS
7	10	BCD	25	24	SW753-ND	2.45	2.20	1.96	1.76	A6R-102RS
	16	Hexdec.			SW754-ND	2.59	2.34	2.08	1.87	A6R-162RS
	16	Hexdec.			SW923-ND	2.52	2.27	2.02	1.82	A6RV-101RF
8	10	BCD	25	24	SW925-ND	2.66	2.40	2.14	1.93	A6RV-161RF
	16	Hexdec.			SW755-ND	2.52	2.27	2.02	1.82	A6RV-102RF
	16	Hexdec.			SW756-ND	2.66	2.40	2.14	1.93	A6RV-162RF
9	10	BCD	25	24	SW924-ND	2.74	2.47	2.20	1.98	A6RV-101RS
	16	Hexdec.			SW926-ND	2.89	2.60	2.32	2.08	A6RV-161RS
	16	Hexdec.			SW757-ND	2.74	2.47	2.20	1.98	A6RV-102RS
10	10	BCD	25	24	SW758-ND	2.89	2.60	2.32	2.08	A6RV-162RS
	16	Hexdec.			SW1024CT-ND	—	—	1.73	1.56	A6RS-101RF-P
	16	Hexdec.			SW1024TR-ND	—	—	808.38/750	—	A6RS-101RF-P
11	10	BCD	25	24	SW1025CT-ND	—	—	1.73	1.56	A6RS-102RF-P
	16	Hexdec.			SW1025TR-ND	—	—	808.38/750	—	A6RS-102RF-P
	16	Hexdec.			SW1026CT-ND	—	—	1.85	1.66	A6RS-161RF-P
12	10	BCD	25	24	SW1026TR-ND	—	—	863.10/750	—	A6RS-161RF-P
	16	Hexdec.			SW1027CT-ND	—	—	1.85	1.66	A6RS-162RF-P
	16	Hexdec.			SW1027TR-ND	—	—	863.37/750	—	A6RS-162RF-P
13	10	BCD	25	24	SW1028CT-ND	—	—	1.90	1.71	A6RS-101RS-P
	16	Hexdec.			SW1028TR-ND	—	—	296.48/250	—	A6RS-101RS-P
	16	Hexdec.			SW1029CT-ND	—	—	1.90	1.71	A6RS-102RS-P
14	10	BCD	25	24	SW1029TR-ND	—	—	296.57/250	—	A6RS-102RS-P
	16	Hexdec.			SW1030CT-ND	—	—	2.02	1.82	A6RS-161RS-P
	16	Hexdec.			SW1030TR-ND	—	—	314.72/250	—	A6RS-161RS-P
15	10	BCD	25	24	SW1031CT-ND	—	—	2.02	1.82	A6RS-162RS-P
	16	Hexdec.			SW1031TR-ND	—	—	314.72/250	—	A6RS-162RS-P

Free shipping on orders over £50! All prices are in British pound sterling and include duties.

2072 (UK091)

uk.digikey.com — FREEPHONE: 0-800-587-0991 • 0-800-904-7786 — FREEFAX: 0-800-587-0992 • 0-800-904-7783