

C&K Snap-acting Switches



A SERIES: Specifications: • Electrical Life: 200,000 cycles at 15A @ 250VAC • Operating Temperature: -55°C - 85°C • Switch Housing: Heat resistant phenolic (UL 94V-0)
HB SERIES: Specifications: • Electrical Life: 150,000 cycles at 20A @ 250VAC • Operating Temperature: -55°C - 150°C • Switch Housing: Heat resistant/electrical grade phenolic
LC SERIES: Specifications: • Electrical Life: 100,000 cycles at 1A @ 125VAC • Operating Temperature: -25°C - 85°C • Switch Housing: Thermoplastic polyester (UL 94V-0) • Terminals: Copper alloy • Terminal Seal: Epoxy
MM SERIES: Specifications: • Electrical Life: 100,000 cycles at full rated load • Operating Temperature: -55°C - 135°C • Switch Housing: Heat resistant phenolic (UL 94V-0)
TF SERIES: Specifications: • Electrical Life: 300,000 cycles at 10A @ 250VAC • Operating Temperature: -40°C - 85°C • Switch Housing: Thermoplastic (UL 94V-0)
TM SERIES: Specifications: • Electrical Life: 350,000 cycles at 10A @ 250VAC • Operating Temperature: -55°C - 150°C • Switch Housing: Thermoplastic or general purpose phenolic (UL 94V-0)
ZMS SERIES: Specifications: • Electrical Life: 10,000 cycles at 3A • Operating Temperature: -25°C - 85°C • Switch Housing: Nylon
ZMA SERIES: Specifications: • Electrical Life: 10,000 cycles at 3A • Operating Temperature: -25°C - 85°C • Switch Housing: PBT
LCS SERIES: Specifications: • Electrical Life: 6,000 cycles at 6A @ 125VAC UL • Operating Temperature: -40°C - 105°C • Switch Housing: Thermoplastic polyester
LCA SERIES: Specifications: • Electrical Life: 6,000 cycles at 10A @ 125VAC • Operating Temperature: -10°C - 125°C • Switch Housing: Thermoplastic polyester

Dimensions in mm

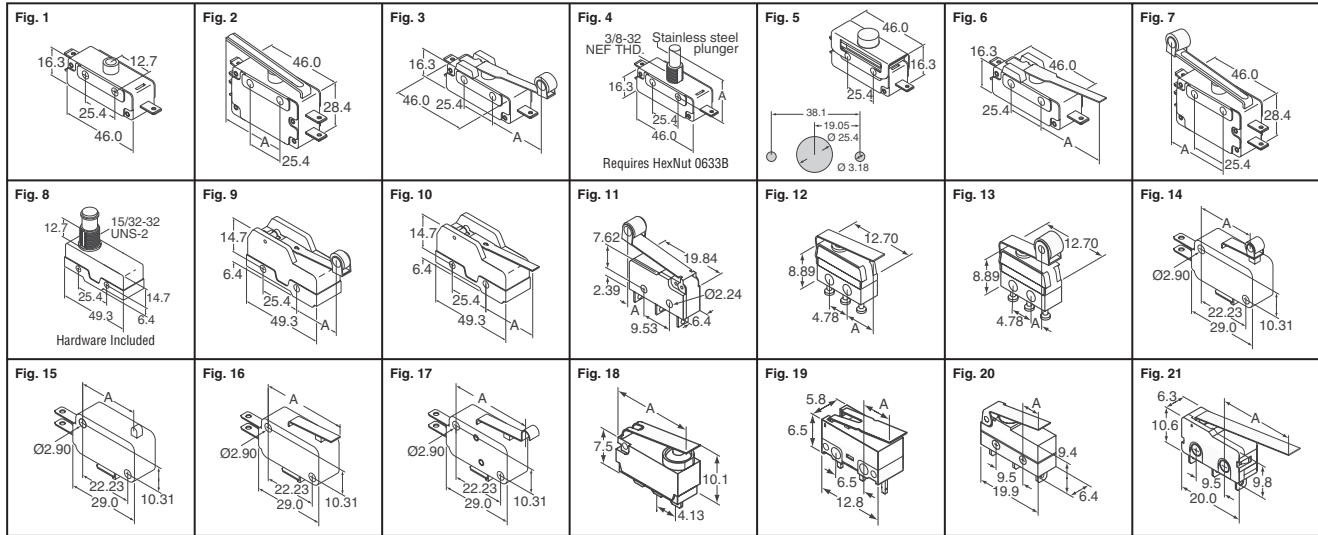
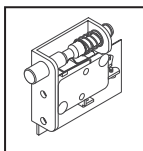


Fig.	Cir- cui- try	Contact Rating (A)	Terminal	Dim. A (mm)	Operating Force (Max. gms)	Digi-Key Part No.	Price Each	C&K Part No.		
							1	25	100	
General Purpose — A Series										
1	SPDT	15	.250" OC	—	567	CKN1408-ND	3.04	2.44	1.93	ASKHC2P04AC
2	DPDT	15	.250" OC	41.1	510	CKN1409-ND	6.66	5.33	4.22	ADPDC2L04AC
3	SPDT	15	.250" OC	35.1	113	CKN1410-ND	4.84	3.87	3.07	ASKHC2A04AC
4	DPDT	15	.250" OC	20.6	850	CKN1411-ND	7.31	5.86	4.64	ADPDC2J04AC
4	SPDT	15	.250" OC	20.6	567	CKN1412-ND	4.20	3.37	2.67	ASKHC2J04AC
5	SPDT	15	.250" OC	Blk Cap	567	CKN1413-ND	6.00	4.81	3.81	ASKHC2B14AC
5	SPDT	15	.250" OC	Red Cap	567	CKN1414-ND	6.00	4.81	3.81	ASKHC2B84AC
6	DPDT	15	.250" OC	38.1	170	CKN1415-ND	6.66	5.33	4.22	ADPDC2T04AC
6	SPDT	15	.250" OC	38.1	113	CKN1416-ND	3.55	2.85	2.25	ASKHC2T04AC
6	SPST	15	.250" OC	38.1	113	CKN1417-ND	3.16	2.53	2.00	ASKHC2T04AY
7	SPDT	15	.250" OC	38.1	510	CKN1418-ND	7.41	5.93	4.70	ADPDC2W04AC
HexNut 3/8-32 NEF-2B THD.....						CKN1829-ND	.23	.19	.15	0633B
Precision Sealed IP65 — HB Series										
8	SPDT	20	6-32 Screw	—	370	CKN1419-ND	11.53	9.23	7.31	HBS2KCB4SJ055C
9	SPDT	20	4-40 Screw	21.8	100	CKN1420-ND	9.64	7.72	6.11	HBS2KGB4SA011C
9	SPDT	20	6-32 Screw	21.8	100	CKN1421-ND	9.82	7.85	6.22	HBS2KGB4SA055C
10	SPDT	20	4-40 Screw	37.3	71	CKN1422-ND	9.26	7.41	5.87	HBS2KGB4ST011C
Subminiature Precision — LC Series										
11	SPDT	1	Solder	7.1	48	CKN1424-ND	5.35	4.29	3.39	LCGGX1A10EC
11	SPDT	1	Lt. Angle	7.1	57	CKN1425-ND	6.27	5.02	3.97	LCGHF5A10LC
11	SPDT	1	Rt. Angle	7.1	57	CKN1426-ND	6.27	5.02	3.97	LCGHS1A10RC
Mini Precision — MM Series										
12	SPDT	7	Solder Turret	13.5	170	CKN1427-ND	13.30	10.65	8.43	MMGGD1L2C
13	SPDT	7	Solder Turret	6.9	115	CKN1428-ND	17.04	13.64	10.80	MMGGD1W0C
Miniature — TF Series										
14	SPDT	11	.187" OC	20.6	90	CKN1429-ND	5.50	4.40	3.49	TFCGV3VA105BC
15	SPDT	11	.187" OC	20.3	75	CKN1431-ND	4.31	3.45	2.73	TFCGV3VP005BC
15	SPDT	5A 277	.187" OC	Plunger	25	CKN9180-ND	3.43	2.75	2.18	TFCDH8SP0040C
15	SPDT	1	.187" OC	Plunger	25	CKN9181-ND	8.16	6.53	5.17	TFCDH8SP0040C
15	SPDT	5	.250" OC	Plunger	150	CKN9185-ND	3.86	3.09	2.45	TFCJUG6SP004AC
16	SPDT	5A 277	.187" OC	20.6	25	CKN9184-ND	4.62	3.71	2.93	TFCDH8SA1040C
16	SPDT	5A 277	.187" OC	34	25	CKN9183-ND	4.07	3.26	2.58	TFCDH8ST1340C
16	SPDT	5A 277	.187" OC	35.6	25	CKN9182-ND	4.07	3.26	2.58	TFCDH8ST1540C

Fig.	Cir- cui- try	Contact Rating (A)	Terminal	Dim. A (mm)	Operating Force (Max. gms)	Digi-Key Part No.	Price Each	C&K Part No.			
							1	25	100		
16	SPDT	11	.187" OC	35.6	40	CKN1432-ND	4.94	3.96	3.13	TFCGV3VT155BC	
16	SPDT	11	.187" OC	69.9	20	CKN1433-ND	4.99	3.99	3.16	TFCGV3VT185BC	
Miniature — TM Series											
15	SPDT	10	.187" OC	20.3	75	CKN1434-ND	3.30	2.64	2.09	TMCGD6SP0040C	
15	SPDT	10	.250" OC	20.3	75	CKN1435-ND	3.30	2.64	2.09	TMCGD6SP004AC	
16	SPDT	10	.187" OC	35.6	45	CKN1436-ND	3.93	3.15	2.49	TMCGD6ST1540C	
16	SPDT	10	.187" OC	69.9	20	CKN1437-ND	3.95	3.17	2.51	TMCGD6ST1840C	
16	SPDT	10	.187" OC	56.4	17	CKN1438-ND	3.95	3.17	2.51	TMCGD6ST2740C	
17	SPDT	10	.187" OC	32.8	50	CKN1439-ND	3.93	3.15	2.49	TMCGD6ST1440C	
Dust Proof — ZMS Series											
18	SPDT	3	Solder	Plunger	130	CKN9159-ND	2.56	2.05	1.62	ZMSH03130P00SSC	
18	SPDT	3	PC Pins	Plunger	130	CKN9161-ND	2.37	1.90	1.51	ZMSL03130P00PSC	
18	SPDT	3	Rt. Angle	Plunger	130	CKN9162-ND	2.56	2.05	1.62	ZMSL03130P00RRC	
18	SPDT	3	12" Wires	Plunger	130	CKN9163-ND	4.02	3.22	2.55	ZMSH03130P00JSC	
18	SPDT	3	Solder	Plunger	147	130	CKN9160-ND	2.56	2.05	1.62	ZMSH03130T10SSC
Subminiature — ZMA Series											
19	SPDT	3	PC Pins	Plunger	150	CKN9164-ND	.62	.50	.39	ZMA03A150P00PC	
19	SPDT	3	PC Pins	Plunger	3.94	150	CKN9165-ND	.80	.64	.51	ZMA03A150L04PC
19	SPDT	3	Lt. Angle	Plunger	150	CKN9166-ND	.86	.69	.55	ZMA03A150P00LC	
19	SPDT	3	Rt. Angle	Plunger	150	CKN9167-ND	.86	.69	.55	ZMA03A150P00RC	
Subminiature Sealed — LCS Series											
20	SPDT	6	Solder	Plunger	60	CKN9168-ND	2.25	1.81	1.43	LCS06A060P00SC	
20	SPDT	6	Solder	Plunger	2.8	60	CKN9169-ND	2.39	1.91	1.52	LCS06A060L03SC
20	SPDT	6	Solder	Plunger	18.5	60	CKN9170-ND	2.43	1.95	1.54	LCS06A060L19SC
20	SPDT	6	.110" OC	Plunger	60	CKN9171-ND	2.45	1.96	1.56	LCS06A060P00SC	
20	SPDT	6	.110" OC	2.8	60	CKN9172-ND	2.58	2.07	1.64	LCS06A060L03OC	
20	SPDT	6	.110" OC	26.4	60	CKN9173-ND	2.66	2.13	1.69	LCS06A060L27OC	
Subminiature — LCA Series											
21	SPDT	10	Solder	Plunger	140	CKN9174-ND	1.31	1.06	.84	LCA10A140P00SC	
21	SPDT	10	.110" OC	Plunger	140	CKN9175-ND	1.54	1.23	.98	LCA10A140P00OC	
21	SPDT	10	Solder	Plunger	20.9	140	CKN9176-ND	1.50	1.21	.96	LCA10A140L21SC
21	SPDT	10	PC Pins	Plunger	140	CKN9177-ND	1.54	1.23	.98	LCA10A140P00PC	
21	SPDT	10	Lt. Angle	Plunger	140	CKN9178-ND	1.54	1.23	.98	LCA10A140P00LC	
21	SPDT	10	Rt. Angle	Plunger	140	CKN9179-ND	1.54	1.23	.98	LCA10A140P00RC	

Door Interlocks



ITT's door interlock switches feature a push/pull motion making these switches ideal for computer enclosures, panel builders, and industrial enclosures.

Specifications: • Contact Rating: 15A @ 125 and 250VAC • Electrical Life: 150,000 cycles at 15A @ 250VAC • Operating Temperature: -55°C - 150°C • Material: • Plunger: Stainless Steel • Tapped Plunger: 4-40 X .375 depth

Description	Digi-Key Part No.	Price Each	C&K Part No.		
		1	100		
SPDT Screw Terminals	CKN1400-ND	14.74	12.73	10.72	11TL602
SPDT Screw Terminals, Tapped Plunger	CKN1401-ND	16.73	14.45	12.17	11TL604
SPDT Screw Terminals, Tapped Plunger	CKN1402-ND	17.34	14.98	12.62	12TL604
2-SPDT Screw Terminals	CKN1404-ND	21.62	18.68	15.73	23TL602
2-SPDT Screw Terminals, Tapped Plunger	CKN1405-ND	23.61	20.39	17.17	23TL604

Free shipping on orders over £50! All prices are in British pound sterling and include duties.

uk.digikey.com — FREEPHONE: 0-800-587-0991 • 0-800-904-7786 — FREEFAX: 0-800-587-0992 • 0-800-904-7783

(UK091) 2069