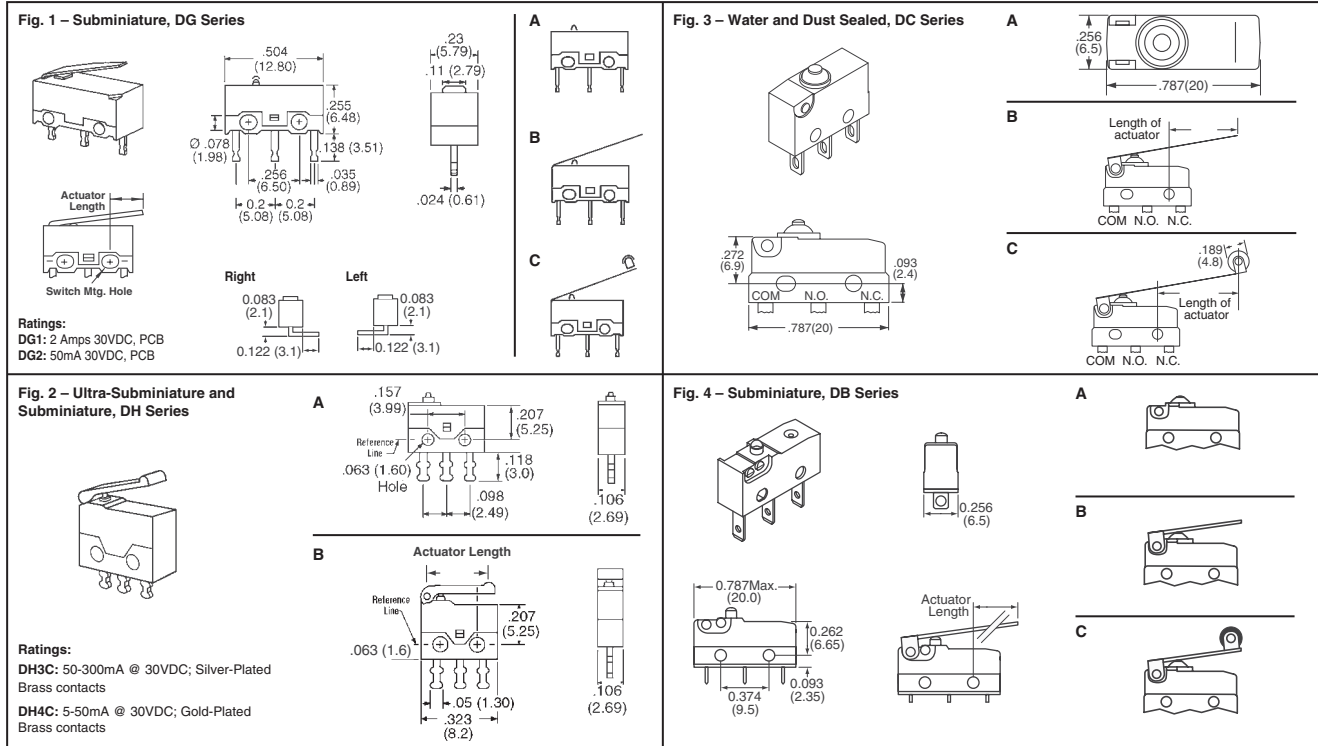




Snap Type Switches

UL Recognized and CSA Certified



| Fig. | Description | Circuitry | Current | Terminal Inch (mm) | Actuator | Actuator Length Inch (mm) | Oper. Force (Max. gms.) | Digi-Key Part No. | 1 | 10 | 100 | 500 | Cherry Part No. | | |
|--|-------------------------------|--|------------------------|--------------------|------------------|---------------------------|-------------------------|-------------------|----------|--------|-----------|-----------|-----------------|-----------|-----------|
| 1A | Subminiature DG Series | SPDT | 5 – 50mA | Vertical PCB | Button | — | 140 | CH167-ND | 1.51 | 13.42 | 55.90 | 96.43 | 441.63 | DG23-B1AA | |
| 1B | | | | Vertical PCB | Lever | 0.169 (4.29) | 45 | CH168-ND | 1.63 | 14.46 | 60.26 | 103.95 | 476.04 | DG23-B1LA | |
| 1B | | | | Right Angle - PCB | Lever | 0.169 (4.29) | 45 | CH621-ND | 1.63 | 14.46 | 60.26 | 103.95 | 476.04 | DG23-B2LA | |
| 1B | | | | Left Angle - PCB | Lever | 0.169 (4.29) | 45 | CH624-ND | 1.63 | 14.46 | 60.26 | 103.95 | 476.04 | DG23-B3LA | |
| 1C | | | | Vertical PCB | Roller Lever | 0.075 (1.91) | 60 | CH169-ND | 3.19 | 28.40 | 118.34 | 204.14 | 934.87 | DG23-B1RA | |
| 1C | Right Angle - PCB | Roller Lever | 0.075 (1.91) | 60 | CH622-ND | 3.31 | 29.45 | 122.69 | 211.65 | 969.28 | DG23-B2RA | | | | |
| 1A | Subminiature DH Series | SPDT | 3A | Vertical PCB | Button | — | 140 | CH164-ND | 1.47 | 13.07 | 54.45 | 93.93 | 430.16 | DG13-B1AA | |
| 1B | | | | Vertical PCB | Lever | 0.169 (4.29) | 45 | CH165-ND | 1.59 | 14.11 | 58.81 | 101.44 | 464.57 | DG13-B1LA | |
| 1C | | | | Vertical PCB | Roller Lever | 0.075 (1.91) | 60 | CH166-ND | 3.00 | 26.66 | 111.08 | 191.61 | 877.52 | DG13-B1RA | |
| 2A | Subminiature DH Series | SPDT | 50 – 300mA 5 – 50mA | Left Angle - PCB | Button | — | 90 | CH849-ND | 2.09 | 18.64 | 77.68 | 134.00 | 613.68 | DH3C-C6AA | |
| 2A | | | | Left Angle - PCB | Button | — | 90 | CH850-ND | 3.55 | 31.53 | 131.40 | 226.67 | 1038.10 | DH4C-C6AA | |
| 2B | | | | Straight - PCB | Simulated Roller | 0.252 (6.4) | 50 | CH854-ND | 3.35 | 29.79 | 124.14 | 214.15 | 980.75 | DH4C-C4LA | |
| 3A | Sealed DC Series Water & Dust | SPDT | 0.1A | Solder Eyelet | Button | — | 200 | CH293-ND | 3.59 | 31.89 | 132.86 | 229.18 | 1049.58 | DC3C-A1AA | |
| 3A | | | | Wire 18AWG Leads | Button | — | 204 | CH614-ND | 6.92 | 61.51 | 256.28 | 442.08 | 2024.60 | DC3C-D5AA | |
| 3A | | | | Left Angle - PCB | Button | — | 204 | CH615-ND | 2.85 | 25.26 | 105.27 | 181.59 | 831.63 | DC3C-K7AA | |
| 3B | | | | Solder Eyelet | Lever | 0.189 (4.80) | 80 | CH613-ND | 4.39 | 39.03 | 162.62 | 280.53 | 1284.73 | DC3C-A1LB | |
| 3A | | | | Solder Eyelet | Button | — | 200 | CH290-ND | 3.31 | 29.45 | 122.69 | 211.65 | 969.28 | DC1C-A1AA | |
| 3A | | | | Right Angle - PCB | Button | — | 200 | CH608-ND | 2.94 | 26.14 | 108.90 | 187.85 | 860.31 | DC1C-K6AA | |
| 3B | | | | Solder Eyelet | Lever | 0.189 (4.80) | 80 | CH291-ND | 3.67 | 32.58 | 135.76 | 234.19 | 1072.52 | DC1C-A1LB | |
| 3B | | | | .110 (2.79) QC | Lever | 0.276 (7.01) | 70 | CH609-ND | 3.56 | 31.71 | 132.13 | 227.93 | 1043.84 | DC1C-L1LC | |
| 3C | | | | Solder Eyelet | Roller Lever | 0.098 (2.49) | 90 | CH606-ND | 5.35 | 47.57 | 198.20 | 341.90 | 1565.76 | DC1C-A1RB | |
| 3A | SPDT | 10.1A | Solder Eyelet | Button | — | 340 | CH292-ND | 3.64 | 32.41 | 135.04 | 232.94 | 1066.78 | DC2C-A1AA | | |
| 3B | | | Solder Eyelet | Lever | 0.189 (4.80) | 150 | CH610-ND | 4.31 | 38.33 | 159.72 | 275.52 | 1261.79 | DC2C-A1LB | | |
| 4A | DB Series Subminiature | SPDT | 0.1A | .110 (2.79) QC | Button | — | 150 | CH879-ND | 1.49 | 13.24 | 55.18 | 91.04 | 413.82 | DB3C-B1AA | |
| 4A | | | | .110 (2.79) QC | Button | 0.189 (4.8) | 60 | CH880-ND | 1.88 | 16.73 | 69.70 | 115.00 | 522.72 | DB3C-B1LB | |
| 4A | | | | Straight PCB | Button | — | 150 | CH881-ND | 1.45 | 12.89 | 53.72 | 88.64 | 402.93 | DB3C-C1AA | |
| 4B | | Solder Short | Lever | 0.189 (4.8) | 60 | CH884-ND | 1.73 | 15.33 | 63.89 | 105.42 | 479.16 | DB1C-A1LB | | | |
| 4A | | .110 (2.79) QC | Button | — | 150 | CH885-ND | 1.34 | 11.85 | 49.37 | 81.46 | 370.26 | DB1C-B1AA | | | |
| 4C | | .110 (2.79) QC | Roller Lever | 0.185 (4.7) | 55 | CH882-ND | 2.51 | 22.30 | 92.93 | 153.33 | 696.96 | DB1C-B1RC | | | |
| 4A | SPDT | 5A | Solder PCB Pin | Plunger Only | — | 150 | CH288-ND | 1.23 | 10.98 | 45.74 | 78.90 | 361.33 | DB1C-A1AA | | |
| 4A | | | Plunger Only | — | 150 | CH289-ND | 1.34 | 11.85 | 49.37 | 85.16 | 390.01 | DB1C-C1AA | | | |
| 4A | SPDT | 10A | Solder Short | Button | — | 250 | CH886-ND | 1.34 | 11.85 | 49.37 | 81.46 | 370.26 | DB2C-A1AA | | |
| 4A | | | Straight PCB | Button | — | 250 | CH883-ND | 1.34 | 11.85 | 49.37 | 81.46 | 370.26 | DB2C-C1AA | | |
| — | Replacement Actuator | Standard Lever for 1LB/1MB Suffix..... | | | | | | | CH657-ND | .14 | 1.22 | 5.08 | 8.77 | 40.15 | 0014-5576 |
| Standard Lever for DC Series, LC Suffix..... | | | | | | | CH668-ND | .14 | 1.22 | 5.08 | 8.77 | 40.15 | 0614-1233 | | |
| Extra Long Lever, LD Suffix..... | | | | | | | CH669-ND | .31 | 2.79 | 11.62 | 20.04 | 91.77 | 0614-1234 | | |
| Roller Lever for DC Series, RB Suffix..... | | | | | | | CH673-ND | .53 | 4.70 | 19.60 | 33.82 | 154.86 | 0714-0260 | | |
| Roller Lever for DC Series, RC Suffix..... | | | | | | | CH674-ND | .67 | 5.92 | 24.68 | 42.58 | 195.00 | 0714-0261 | | |
| Simulated Roller Lever, SC Suffix..... | | | | | | | CH671-ND | .20 | 1.74 | 7.26 | 12.52 | 57.35 | 0614-1238 | | |
| Simulated Roller Lever, SD Suffix..... | | | | | | | CH672-ND | .28 | 2.44 | 10.16 | 17.53 | 80.30 | 0614-1239 | | |

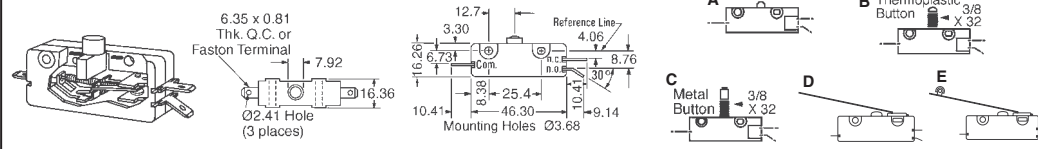
◆ RoHS Compliant

Free shipping on orders over £50! All prices are in British pound sterling and include duties.

uk.digikey.com — FREEPHONE: 0-800-587-0991 • 0-800-904-7786 — FREEFAX: 0-800-587-0992 • 0-800-904-7783

(UK091) 2065

Fig. 1 E13, E14, E19, E20, G13 Series



atings:
E13: 15A - 125/250VAC, 3/4 HP - 125VAC, 1-1/2 HP - 250VAC
E14: 25A - 125/250VAC, 1 HP - 125VAC, 2 HP - 250VAC
E19: 15A - 125/250VAC, 3/4 HP - 125VAC
E20: 20A - 125/250VAC, 1 HP - 125VAC
G13: 0.1A - 125VAC, Gold crosspoint contacts

| Fig. | Circuitry | Current | Terminal Inch (mm) | Actuator | Actuator Length Inch (mm) | Oper. Force (Max. gms.) | Digi-Key Part No. | 1 | Price Each 10 | 50 | Cherry Part No. |
|--|-----------|---------|--------------------|-----------------------------|---------------------------|-------------------------|-------------------|------|---------------|------|-----------------|
| General Purpose - E13, E14, E19, E20 and G13 Power Series | | | | | | | | | | | |
| 1B | SPDT | 0.1A | .250 QC (6.35) | Threaded Bushing | — | 425 | CH573-ND | 4.31 | 3.83 | 3.19 | G13-00J |
| 1C | SPDT | 0.1A | .250 QC (6.35) | Threaded Bushing | — | 425 | CH574-ND | 4.98 | 4.43 | 3.69 | G13-00M |
| 1A | SPDT | 15A | .250 QC (6.35) | Plastic Button | — | 425 | CH102-ND | 2.29 | 2.04 | 1.70 | E13-00E |
| 1B | SPDT | 15A | .250 QC (6.35) | THD Bushing, Plastic Button | — | 425 | CH100-ND | 2.69 | 2.39 | 1.99 | E13-00J |
| 1C | SPDT | 15A | .250 QC (6.35) | THD Bushing, Metal Button | — | 425 | CH101-ND | 3.39 | 3.02 | 2.52 | E13-00M |
| 1D | SPDT | 15A | .250 QC (6.35) | Long Lever | 1.5 (38.10) | 100 | CH312-ND | 3.27 | 2.91 | 2.43 | E13-00H |
| 1D | SPDT | 15A | .250 QC (6.35) | Long Lever | 1.75 (44.45) | 65 | CH314-ND | 3.27 | 2.91 | 2.43 | E13-50H |
| 1E | SPDT | 15A | .250 QC (6.35) | Long Roller | 1.391 (35.33) | 100 | CH313-ND | 3.96 | 3.52 | 2.94 | E13-00K |
| 1E | DPDT | 20A | .250 QC (6.35) | Long Lever | .821 (20.85) | 425 | CH505-ND | 8.25 | 7.34 | 6.12 | E20-00H |
| 1E | DPDT | 20A | .250 QC (6.35) | Long Lever | 1.071 (27.20) | 285 | CH506-ND | 8.25 | 7.34 | 6.12 | E20-50H |
| 1A | SPDT | 25A | .250 QC (6.35) | Plastic Button | — | 850 | CH315-ND | 3.02 | 2.69 | 2.24 | E14-00A |
| 1C | SPDT | 25A | .250 QC (6.35) | THD Bushing, Metal Button | — | 850 | CH318-ND | 4.04 | 3.59 | 3.00 | E14-00M |
| 1D | SPDT | 25A | .250 QC (6.35) | Short Lever | .821 (20.85) | 285 | CH316-ND | 4.08 | 3.63 | 3.03 | E14-00H |
| 1D | SPDT | 25A | .250 QC (6.35) | Long Lever | 1.071 (27.20) | 170 | CH319-ND | 4.02 | 3.58 | 2.98 | E14-50H |
| 1A | DPDT | 15A | .250 QC (6.35) | Plastic Button | — | 850 | CH320-ND | 5.04 | 4.48 | 3.74 | E19-00A |
| 1B | DPDT | 15A | .250 QC (6.35) | THD Bushing, Plastic Button | — | 850 | CH322-ND | 6.37 | 5.67 | 4.72 | E19-00J |
| 1C | DPDT | 15A | .250 QC (6.35) | THD Bushing, Metal Button | — | 850 | CH324-ND | 6.29 | 5.60 | 4.67 | E19-00M |
| 1D | DPDT | 15A | .250 QC (6.35) | Long Lever | 1.5 (38.10) | 205 | CH321-ND | 5.99 | 5.33 | 4.44 | E19-00H |
| 1D | DPDT | 15A | .250 QC (6.35) | Long Lever | 1.75 (44.45) | 150 | CH325-ND | 5.52 | 4.92 | 4.10 | E19-50H |
| 1E | DPDT | 15A | .250 QC (6.35) | Long Roller | 1.645 (41.78) | 150 | CH326-ND | 6.64 | 5.91 | 4.93 | E19-50K |
| 1C | DPDT | 20A | .250 QC (6.35) | THD Bushing, Metal Button | — | 850 | CH329-ND | 8.41 | 7.48 | 6.23 | E20-00M |
| 1E | DPDT | 20A | .250 QC (6.35) | Long Roller | 1.391 (35.33) | 312 | CH330-ND | 9.37 | 8.33 | 6.95 | E20-50K |
| 1D | SPST-N/O | 15A | .250 QC (6.35) | Long Lever | 1.5 (38.10) | 100 | CH501-ND | 3.27 | 2.91 | 2.43 | E13-01H |
| Brass Mounting Nut for Threaded Bushing | | | | | | | CH284-ND | .12 | .11 | .09 | 0012-0023 |
| Knurled Dress Nut Brass for J/M E13/E19/G13 | | | | | | | CH651-ND | 1.12 | 1.00 | .83 | 0012-0025 |
| Hex Nut Nickel Plated for J/M E13/E19/G13 | | | | | | | CH652-ND | .16 | .14 | .12 | 0012-0028 |
| Lock Washer for J/M E13/E19/G13 | | | | | | | CH653-ND | .43 | .39 | .32 | 0012-0078 |
| Subminiature - E61, E62 and E63 Series | | | | | | | | | | | |
| 2A | SPDT | 0.1A | .093 QC (2.36) | Plunger Only | — | 90 | CH380-ND | 3.53 | 3.14 | 2.62 | E63-00A |
| 2A | SPDT | 0.1A | .110 QC (2.36) | Plunger Only | — | 90 | CH554-ND | 3.47 | 3.09 | 2.57 | E63-30A |
| 2B | SPDT | 0.1A | .093 QC (2.36) | Lever, Standard Ratio | .396 (10.06) | 9 | CH384-ND | 4.59 | 4.08 | 3.40 | E63-50H |
| 2B | SPDT | 0.1A | Solder Eyelet | Long Lever | .396 (10.06) | 9 | CH557-ND | 4.17 | 3.72 | 3.10 | E63-60H |
| 2C | SPDT | 0.1A | Solder Eyelet | Roller Lever | .201 (5.11) | 30 | CH552-ND | 4.23 | 3.77 | 3.14 | E63-10K |
| 2C | SPDT | 0.1A | .093 QC (2.36) | Roller Lever | .201 (5.11) | 30 | CH382-ND | 4.39 | 3.91 | 3.26 | E63-00K |
| 2C | SPDT | 0.1A | .110 QC (2.79) | Roller Lever | .201 (5.11) | 30 | CH555-ND | 4.35 | 3.87 | 3.23 | E63-30K |
| 2A | SPDT | 5A | .093 QC (2.36) | Plunger Only | — | 90 | CH103-ND | 2.74 | 2.44 | 2.04 | E61-00A |
| 2A | SPDT | 5A | .110 QC (2.79) | Plunger Only | — | 90 | CH370-ND | 2.74 | 2.44 | 2.04 | E61-30A |
| 2A | SPDT | 5A | Solder Eyelet | Plunger Only | — | 90 | CH104-ND | 2.74 | 2.44 | 2.04 | E61-10A |
| 2B | SPDT | 5A | .093 QC (2.36) | Lever, Standard Ratio | .271 (6.88) | 27 | CH105-ND | 3.94 | 3.51 | 2.92 | E61-00H |
| 2B | SPDT | 5A | .110 QC (2.79) | Lever, Standard Ratio | .271 (6.88) | 27 | CH371-ND | 3.94 | 3.51 | 2.92 | E61-30H |
| 2B | SPDT | 5A | Solder Eyelet | Lever, Standard Ratio | .271 (6.88) | 27 | CH106-ND | 3.94 | 3.51 | 2.92 | E61-10H |
| 2B | SPDT | 5A | .093 QC (2.36) | Lever, Standard Ratio | .396 (10.06) | 9 | CH373-ND | 3.94 | 3.51 | 2.92 | E61-50H |
| 2C | SPDT | 5A | .093 QC (2.36) | Roller, Standard Ratio | .201 (5.11) | 30 | CH107-ND | 4.20 | 3.73 | 3.11 | E61-00K |
| 2C | SPDT | 5A | Solder Eyelet | Roller, Standard Ratio | .201 (5.11) | 30 | CH108-ND | 4.20 | 3.73 | 3.11 | E61-10K |
| 2C | SPDT | 5A | .110 QC (2.79) | Roller Lever | .201 (5.11) | 30 | CH372-ND | 4.20 | 3.73 | 3.11 | E61-30K |
| 2C | SPDT | 5A | .110 QC (2.79) | Roller Lever | .326 (8.28) | 10 | CH544-ND | 4.20 | 3.73 | 3.11 | E61-80K |
| 2C | SPDT | 5A | .093 QC (2.36) | Roller Lever | .326 (8.28) | 10 | CH374-ND | 3.95 | 3.52 | 2.93 | E61-50K |
| 2C | SPDT | 5A | Solder Eyelet | Roller Lever | .326 (8.28) | 10 | CH543-ND | 4.20 | 3.73 | 3.11 | E61-60K |
| 2A | SPDT | 10.1A | .093 QC (2.36) | Plunger Only | — | 212 | CH109-ND | 3.10 | 2.76 | 2.30 | E62-00A |
| 2A | SPDT | 10.1A | Solder Eyelet | Plunger Only | — | 212 | CH110-ND | 3.10 | 2.76 | 2.30 | E62-10A |
| 2B | SPDT | 10.1A | .093 QC (2.36) | Lever, Standard Ratio | .271 (6.88) | 56 | CH111-ND | 3.94 | 3.51 | 2.92 | E62-00H |
| 2B | SPDT | 10.1A | Solder Eyelet | Lever, Standard Ratio | .271 (6.88) | 56 | CH112-ND | 3.94 | 3.51 | 2.92 | E62-10H |
| 2C | SPDT | 10.1A | .093 QC (2.36) | Roller, Standard Ratio | .201 (5.11) | 65 | CH113-ND | 4.53 | 4.03 | 3.36 | E62-00K |
| 2C | SPDT | 10.1A | Solder Eyelet | Roller, Standard Ratio | .201 (5.11) | 65 | CH114-ND | 4.53 | 4.03 | 3.36 | E62-10K |
| 2C | SPDT | 10.1A | .093 QC (2.36) | Roller Lever | .326 (8.28) | 33 | CH379-ND | 4.53 | 4.03 | 3.36 | E62-50K |
| 2A | SPDT | 10.1A | PC Mount | Plunger Only | — | 212 | CH545-ND | 3.10 | 2.76 | 2.30 | E62-50A |
| 2B | SPDT | 10.1A | .093 QC (2.36) | Long Lever | .396 (10.06) | 20 | CH546-ND | 3.94 | 3.51 | 2.92 | E62-50H |
| 2B | SPDT | 10.1A | Solder Eyelet | Long Lever | .396 (10.06) | 20 | CH547-ND | 3.94 | 3.51 | 2.92 | E62-60H |
| 2C | SPDT | 10.1A | Solder Eyelet | Roller Lever | .326 (8.28) | 33 | CH548-ND | 4.28 | 3.80 | 3.17 | E62-60K |
| Replacement Actuator Lever, 2.163" (54.94mm) Long | | | | | | | CH654-ND | .33 | .30 | .25 | 0014-0134 |
| Subminiature Snap Switches - DA3 Series | | | | | | | | | | | |
| 3 | SPDT | 0.1A | .093 QC (2.36) | Lever, Standard Ratio | .271 (6.88) | 27 | CH142-ND | 4.00 | 3.56 | 2.97 | DA3C-F1LB |
| Replacement Actuator Lever, 3.066" (77.88mm) Extra Long | | | | | | | CH656-ND | .22 | .20 | .16 | 0014-5519 |
| Panel Mount Pushbutton - E68, E69, E78, E79 and F79 Series - RoHS Compliant | | | | | | | | | | | |
| 4A | SPDT | 0.1A | .187 QC (4.75) | Momentary | .845 (21.46) | 425 | CH386-ND | 4.28 | 3.80 | 3.17 | E68-00A |
| 4B | SPDT | 0.1A | .187 QC (4.75) | Momentary Cheat Interlock | .730 (18.54) | 385 | CH387-ND | 4.49 | 3.99 | 3.33 | E68-30A |
| 4C | SPDT | 0.1A | .187 QC (4.75) | Short Button Momentary | .420 (10.67) | 425 | CH388-ND | 4.62 | 4.12 | 3.43 | E68-40A |
| 4D | SPDT | 0.1A | .187 QC (4.75) | Auxiliary Pushbutton | .4 (10.16) | 425 | CH560-ND | 4.73 | 4.20 | 3.50 | E68-50A |
| 4A | SPDT | 10A | .187 QC (4.75) | Momentary | .875 (22.23) | 425 | CH154-ND | 3.00 | 2.67 | 2.23 | E69-00A |
| 4B | SPDT | 10A | .187 QC (4.75) | Momentary Cheat Interlock | .980 (24.89) | 425/285 | CH155-ND | 3.56 | 3.18 | 2.65 | E69-30A |
| 4C | SPDT | 10A | .187 QC (4.75) | Short Button Momentary | .450 (11.43) | 425 | CH156-ND | 3.00 | 2.67 | 2.23 | E69-40A |
| 4A | DPDT | 10A | .187 QC (4.75) | Momentary | .875 (22.23) | 680 | CH157-ND | 5.18 | 4.60 | 3.84 | E79-00A |
| 4A | DPDT | 10A | .187 QC (4.75) | Momentary Cheat Interlock | .71 (18.03) | 757 | CH571-ND | 5.43 | 4.83 | 4.03 | F79-30A |
| 4B | DPDT | 10A | .187 QC (4.75) | Push-Pull (Reset) | .920 (23.37) | 510 | CH392-ND | 5.20 | 4.62 | 3.85 | E79-20A |
| 4B | DPDT | 10A | .187 QC (4.75) | Momentary Cheat Interlock | .980 (24.89) | 757/567 | CH158-ND | 6.63 | 5.89 | 4.91 | E79-30A |
| Water and Dust Sealed - E72 Series - RoHS Compliant | | | | | | | | | | | |
| 5 | SPDT | 10A | 10 Wires | Lever | .858 (21.79) | 67 | CH391-ND | 9.58 | 8.52 | 7.11 | E72-40HT |

RoHS Compliant

(Continued)

Fig. 2 E61, E62, E63 Series

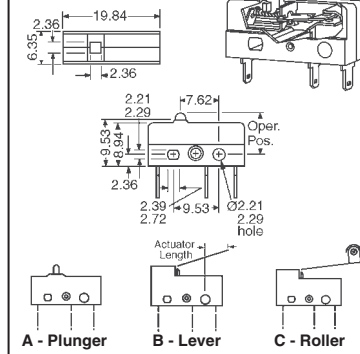


Fig. 3 DA3 Series

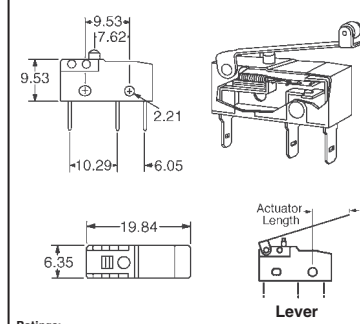
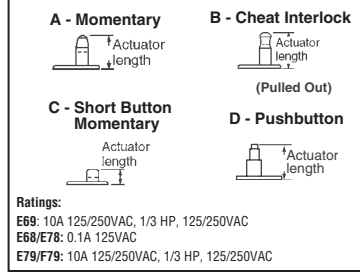
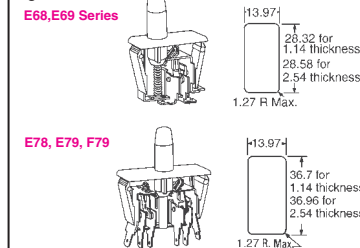


Fig. 4



Free shipping on orders over £50! All prices are in British pound sterling and include duties.

2066 (UK091) uk.digikey.com — FREEPHONE: 0-800-587-0991 • 0-800-904-7786 — FREEFAX: 0-800-587-0992 • 0-800-904-7783



Snap and Lever Type Switches (Cont.)

Fig. 5 E72 Series

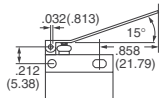


Fig. 6 F80 Series

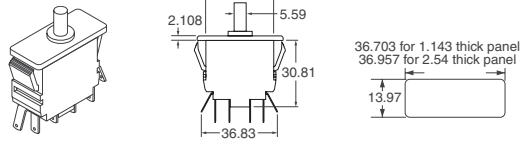
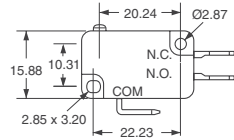


Fig. 7 E Series



| Fig. | Circuitry | Current | Terminal Inch (mm) | Actuator | Actuator Length Inch (mm) | Oper. Force (Max. gms.) | Digi-Key Part No. | Price Each | 1 | 10 | 50 | Cherry Part No. |
|--|-----------|---------|--------------------|-----------------------------|---------------------------|-------------------------|-------------------|------------|------|------|----|-----------------|
| Line Interrupt Switches - F80 - RoHS Compliant | | | | | | | | | | | | |
| 6 | SPST/SPDT | 10A | .250 QC (6.35) | Plunger Only | .238 (6.05) | 866 | CH626-ND | 9.37 | 8.33 | 6.95 | | F81J-A120 |
| | SPST | 16A | .250 QC (6.35) | Plunger Only | — | 866 | CH307-ND | 9.68 | 8.61 | 7.18 | | F82A-A120 |
| Light Force and Standard Force Switches - E Series | | | | | | | | | | | | |
| 7A | SPDT | 0.1A | .187 QC (4.75) | Plunger Only | — | 75 | CH331-ND | 2.98 | 2.65 | 2.21 | | E21-00A |
| 7B | SPDT | 0.1A | .187 QC (4.75) | Long Lever | 1.40 (35.56) | 35 | CH333-ND | 4.68 | 4.17 | 3.48 | | E21-50H |
| 7C | SPDT | 0.1A | .187 QC (4.75) | Light Force - Roller | 1.34 (34.04) | 8 | CH507-ND | 5.17 | 4.60 | 3.83 | | E21-50KX |
| 7D | SPDT | 0.1A | .187 QC (4.75) | Short Roller | .810 (20.57) | 75 | CH332-ND | 5.07 | 4.52 | 3.77 | | E21-00K |
| 7A | SPDT | 3A | .187 QC (4.75) | Light Force - Plunger Only | — | 15 | CH335-ND | 2.77 | 2.46 | 2.05 | | E22-00AX |
| 7B | SPDT | 3A | .187 QC (4.75) | Light Force - Long Lever | 1.40 (35.56) | 8 | CH337-ND | 3.10 | 2.76 | 2.30 | | E22-50HX |
| 7B | SPDT | 3A | .187 QC (4.75) | Light Force - Long Lever | 2.757 (70.03) | 4 | CH340-ND | 3.10 | 2.76 | 2.30 | | E22-55HX |
| 7B | SPDT | 3A | .187 QC (4.75) | Light Force - Long Lever | 2.932 (74.47) | 2 | CH341-ND | 3.24 | 2.88 | 2.40 | | E22-85HX |
| 7C | SPDT | 3A | .187 QC (4.75) | Long Roller | 1.34 (34.04) | 35 | CH339-ND | 3.39 | 3.02 | 2.52 | | E22-50K |
| 7D | SPDT | 3A | .187 QC (4.75) | Short Roller | .810 (20.57) | 75 | CH336-ND | 3.39 | 3.02 | 2.52 | | E22-00K |
| 7A | SPDT | 5A | .187 QC (4.75) | Plunger Only | — | 45 | CH342-ND | 2.53 | 2.25 | 1.88 | | E23-00AX |
| 7A | SPDT | 5A | .187 QC (4.75) | Plunger Only | — | 170 | CH343-ND | 2.45 | 2.18 | 1.82 | | E23-00A |
| 7B | SPDT | 5A | .187 QC (4.75) | Standard Force - Long Lever | 1.40 (35.56) | 86 | CH519-ND | 2.92 | 2.60 | 2.17 | | E23-50H |
| 7B | SPDT | 5A | .187 QC (4.75) | Light Force - Long Lever | 2.757 (70.03) | 10 | CH347-ND | 3.17 | 2.83 | 2.36 | | E23-55HX |
| 7C | SPDT | 5A | .187 QC (4.75) | Long Roller | 1.34 (34.04) | 86 | CH346-ND | 3.47 | 3.09 | 2.57 | | E23-50K |
| 7D | SPDT | 5A | .187 QC (4.75) | Short Roller | .81 (20.57) | 170 | CH344-ND | 3.47 | 3.09 | 2.57 | | E23-00K |
| 7A | SPDT | 10A | Solder Term. | Screw Term. | — | 75 | CH526-ND | 5.11 | 4.55 | 3.78 | | E33-10A |
| 7A | SPDT | 10A | Solder Term. | Plunger Only | — | 75 | CH527-ND | 2.47 | 2.20 | 1.83 | | E33-20A |
| 7B | SPDT | 10A | .187 QC (4.75) | Standard Force - Long Lever | 1.58 (40.13) | 86 | CH528-ND | 2.80 | 2.50 | 2.08 | | E33-50HL |
| 7B | SPDT | 10A | .187 QC (4.75) | Long Lever | 1.40 (35.56) | 144 | CH351-ND | 2.58 | 2.30 | 1.92 | | E33-50H |
| 7B | SPDT | 10A | .187 QC (4.75) | Light Force - Long Lever | 2.932 (74.47) | 10 | CH355-ND | 3.16 | 2.81 | 2.34 | | E33-85HX |
| 7C | SPDT | 10A | .187 QC (4.75) | Long Roller | 1.34 (34.04) | 144 | CH352-ND | 3.00 | 2.67 | 2.23 | | E33-50K |
| 7C | SPDT | 10A | .187 QC (4.75) | Long Lever | 1.58 (40.13) | 22 | CH354-ND | 2.43 | 2.17 | 1.81 | | E33-75HX |
| 7D | SPDT | 10A | .187 QC (4.75) | Short Roller | .81 (20.57) | 285 | CH350-ND | 2.90 | 2.58 | 2.15 | | E33-00K |
| 7A | SPDT | 15A | Solder Term. | Standard Force - Button | — | 400 | CH534-ND | 2.35 | 2.10 | 1.75 | | E34-20A |
| 7B | SPDT | 15A | .187 QC (4.75) | Standard Force - Lever | 1.58 (40.13) | 120 | CH535-ND | 3.04 | 2.71 | 2.26 | | E34-50HL |
| 7B | SPDT | 15A | .187 QC (4.75) | Light Force - Long Lever | 1.40 (35.56) | 50 | CH358-ND | 2.86 | 2.55 | 2.12 | | E34-50HX |
| 7B | SPDT | 15A | .187 QC (4.75) | Light Force - Long Lever | 2.757 (70.03) | 22 | CH362-ND | 2.90 | 2.58 | 2.15 | | E34-55HX |
| 7C | SPDT | 15A | .187 QC (4.75) | Long Roller | 1.34 (34.04) | 200 | CH360-ND | 3.27 | 2.91 | 2.43 | | E34-50K |
| 7E | SPDT | 15A | .187 QC (4.75) | Plastic Lever | 1.382 (35.10) | 200 | CH361-ND | 2.77 | 2.46 | 2.05 | | E34-50N |
| Standard Size Insulator for E34 Series | | | | | | | CH663-ND | .25 | .23 | .19 | | 0015-005 |
| Small Size Insulator for E62 Series | | | | | | | CH664-ND | .25 | .23 | .19 | | 0015-0052 |
| Large Black Plastic Insulator for E34 Series | | | | | | | CH665-ND | .31 | .28 | .24 | | 0015-0054 |
| Miniature International - D4 Series - RoHS Compliant | | | | | | | | | | | | |
| 8A | SPDT | 0.1A | .187 QC (4.75) | Button | — | 75 | CH115-ND | 3.47 | 3.09 | 2.57 | | D41C-R1AA |
| 8B | SPDT | 0.1A | .187 QC (4.75) | Lever, Standard Ratio | 1.40 (35.56) | 35 | CH297-ND | 3.78 | 3.37 | 2.81 | | D41C-R1LD |
| 8B | SPDT | 0.1A | .187 QC (4.75) | Lever, High Ratio | 2.93 (74.47) | 2 | CH118-ND | 3.78 | 3.37 | 2.81 | | D41L-R1XL |
| 8C | SPDT | 0.1A | .187 QC (4.75) | Roller, Standard Ratio | .81 (20.57) | 75 | CH117-ND | 3.96 | 3.52 | 2.94 | | D41C-R1RA |
| 8A | SPDT | 3A | .187 QC (4.75) | Button | — | 15 | CH124-ND | 2.24 | 1.99 | 1.66 | | D42L-R1AA |
| 8B | SPDT | 3A | .187 QC (4.75) | Lever, High Ratio | 2.93 (74.47) | 2 | CH123-ND | 3.35 | 2.98 | 2.49 | | D42L-R1XL |
| 8A | SPDT | 5A | .187 QC (4.75) | Button | — | 170 | CH125-ND | 1.88 | 1.68 | 1.40 | | D43C-R1AA |
| 8A | SPDT | 5A | .187 QC (4.75) | Button | — | 45 | CH129-ND | 2.12 | 1.89 | 1.57 | | D43L-R1AA |
| 8C | SPDT | 5A | .187 QC (4.75) | Roller, Standard Ratio | .810 (20.57) | 170 | CH127-ND | 2.72 | 2.43 | 2.02 | | D43C-R1RA |
| 8A | SPDT | 10A | .187 QC (4.75) | Button | — | 285 | CH130-ND | 2.00 | 1.78 | 1.49 | | D44C-R1AA |
| 8A | SPDT | 10A | .187 QC (4.75) | Button | — | 75 | CH134-ND | 2.08 | 1.85 | 1.54 | | D44L-R1AA |
| 8B | SPDT | 10A | .187 QC (4.75) | Lever, Standard Ratio | 1.40 (35.56) | 35 | CH299-ND | 2.29 | 2.04 | 1.70 | | D44L-R1LD |
| 8B | SPDT | 10A | .187 QC (4.75) | Lever, High Ratio | 2.93 (74.47) | 10 | CH133-ND | 2.47 | 2.20 | 1.83 | | D44L-R1ML |
| 8C | SPDT | 10A | .187 QC (4.75) | Lever, Standard Ratio | .810 (20.57) | 75 | CH301-ND | 2.78 | 2.48 | 2.07 | | D44L-R1RA |
| 8A | SPDT | 15A | .187 QC (4.75) | Button | — | 400 | CH135-ND | 2.27 | 2.03 | 1.69 | | D45C-R1AA |
| 8A | SPDT | 15A | .187 QC (4.75) | Button | — | 100 | CH139-ND | 2.27 | 2.03 | 1.69 | | D45L-R1AA |
| 8B | SPDT | 15A | .187 QC (4.75) | Lever, Standard Ratio | .865 (21.97) | 400 | CH136-ND | 2.49 | 2.22 | 1.85 | | D45C-R1LA |
| 8B | SPDT | 15A | .187 QC (4.75) | Lever, High Ratio | 2.93 (74.47) | 13 | CH138-ND | 2.57 | 2.29 | 1.91 | | D45L-R1ML |
| Miniature International - D4 Series - U.S. Version - RoHS Compliant | | | | | | | | | | | | |
| 8B | SPDT | 0.1A | .187 QC (4.75) | Alum. Lever, Standard Ratio | 1.40 (35.56) | 8 | CH578-ND | 3.78 | 3.37 | 2.81 | | D41L-R1YD |
| | SPDT | 3A | .187 QC (4.75) | Lever, Standard Ratio | 1.40 (35.56) | 35 | CH579-ND | 2.19 | 1.96 | 1.63 | | D42C-R1LD |
| | SPDT | 3A | .187 QC (4.75) | Alum. Lever, Standard Ratio | 1.40 (35.56) | 8 | CH581-ND | 3.35 | 2.98 | 2.49 | | D42L-R1YD |
| | SPDT | 3A | .187 QC (4.75) | Alum. Lever, Standard Ratio | 2.757 (70.03) | 3.5 | CH582-ND | 3.43 | 3.04 | 2.54 | | D42L-R1YL |
| | SPDT | 5A | .187 QC (4.75) | Lever, High Ratio | 1.58 (40.13) | 51 | CH583-ND | 2.39 | 2.13 | 1.78 | | D43C-R1MD |
| | SPDT | 5A | .187 QC (4.75) | Lever, High Ratio | 1.58 (40.13) | 20 | CH587-ND | 2.57 | 2.29 | 1.91 | | D43L-R1MD |
| 8A | SPDT | 10A | .187 QC (4.75) | Lever, Standard Ratio | 1.40 (35.56) | 144 | CH589-ND | 2.27 | 2.03 | 1.69 | | D44C-R1LD |
| 8A | SPDT | 15A | .250 QC (6.35) | Button | — | 400 | CH594-ND | 2.24 | 1.99 | 1.66 | | D45C-V1AA |
| 8B | SPDT | 15A | .187 QC (4.75) | Lever, Standard Ratio | .865 (21.97) | 100 | CH595-ND | 2.51 | 2.23 | 1.86 | | D45L-R1LA |

| Fig. | Circuitry | Current | Terminal Inch (mm) | Actuator | Oper. Force (Max. gms.) | Digi-Key Part No. | Price Each | 1 | 10 | 50 | Cherry Part No. | |
|---|-----------|---------|--------------------------|------------------------|-------------------------|-------------------|------------|------|------|----|-----------------|--|
| High Performance Miniature Snap Switches - K Series - RoHS Compliant | | | | | | | | | | | | |
| 9 | SPDT | 3A | .187 (4.75), QC Straight | Button, Standard Temp. | 25 | CH631-ND | 2.26 | 2.01 | 1.67 | | KWEA-QACA | |

◆ RoHS Compliant

A - Plunger



B - Lever



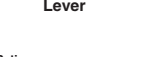
C - Long Roller



D - Short Roller



E - Thermoplastic Lever

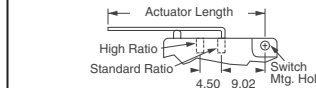
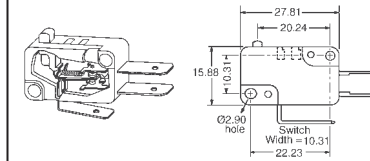


Ratings:

E21: 0.1A 125VAC, Gold contacts
E22: 3A 250VAC

E23: 5A 250VAC
E33: 10A 250VAC
E34: 15A 250VAC, UL 94HB

Fig. 8 D4 Series



A - Plunger



B - Lever



C - Roller



Ratings: 187 QC terminals.

D41: 1A 125VAC, Gold crosspoint contacts
D42: 3A 125/250VAC
D43: 5A, 1/4 H.P., 125/250VAC
D44: 10A, 1/2 H.P., 125/250VAC
D45: 15A, 1/2 H.P., 125/250VAC.

Fig. 9 K Series

Features:

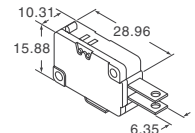
Centrally located common terminal, wiping contact action, standard temperature ratings up to 150° C

Flammability Ratings: UL94V-0

Electrical Life: 100,000 cycles

Temperature Ratings: • Standard Temperature: -40° ~ 85° C
• High Temperature: -40° ~ 150° C

UL and CUL Ratings: KWB: 50mA, 28VDC KWE/KWF: 3A, 125/250VAC, 1/10 HP KWH: 5A, 1/4 HP, 125/250VAC



Free shipping on orders over £50! All prices are in British pound sterling and include duties.

uk.digikey.com — FREEPHONE: 0-800-587-0991 • 0-800-904-7786 — FREEFAX: 0-800-587-0992 • 0-800-904-7783

(UK091) 2067