

C&K Keylock Switches



Dimensions in Inches (mm)

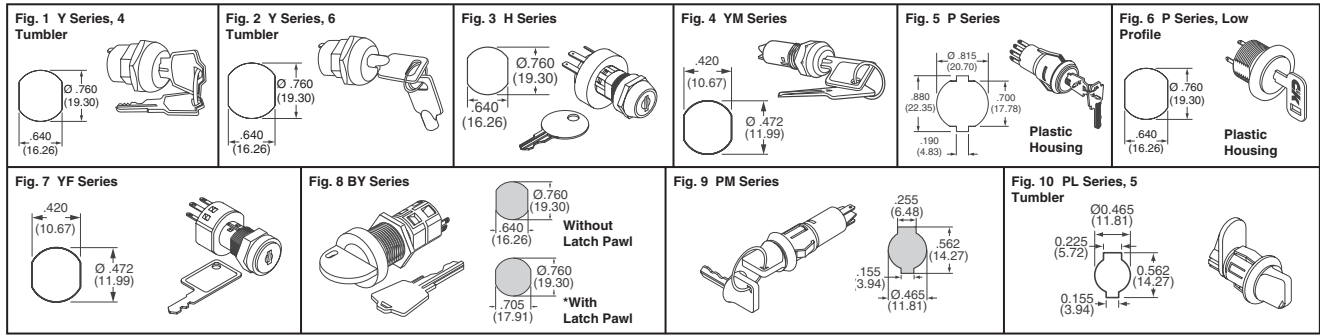
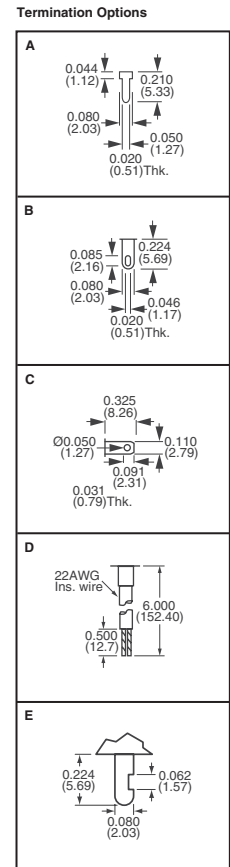


Fig.	No. Poles	Keypull Possible	Switch Type	Amp Rtg. @ 125 VAC	Termination	Connected Terminals (Position)				Digi-Key Part No.	Price Each			C&K Components Part No.
						1	2	3	4		1	10	100	
1	SP	1,2	On-On	4	B	8-1	1-3	—	—	CKC8000-ND	7.08	6.12	5.15	Y1011U2C203NQ
	DP	1,2	On-On	4	B	8-1, 4-5	1-3, 5-7	—	—	CKC8001-ND	8.23	7.11	5.99	Y2011U2C203NQ
	DP	1,2	On-On	4	A	8-1, 4-5	1-3, 5-7	—	—	CKC8003-ND	8.23	7.11	5.99	Y2011U2C202NQ
	SP	1,2,3	On-Off-On	4	D	7-1	1-3	—	—	CKC8026-ND	9.09	7.85	6.62	Y1417U2C2WCNOE
	SP	1 only	On-Mom	4	B	8-1	1-2	—	—	CKC1230-ND	9.01	7.78	6.56	Y108122A203NQ
	DP	1 only	On-Mom	4	B	8-1, 4-5	1-2, 5-6	—	—	CKC1231-ND	9.60	8.29	6.98	Y208122A203NQ
	SP	1,2,3	On-On-On	4	B	8-1	1-2	7-8	—	CKC8036-ND	7.53	6.51	5.48	Y100AA2C203NQ
	SP	1,2,3,4	On-On-On-On	4	B	8-1	1-2	2-3	3-4	CKC8037-ND	8.47	7.32	6.17	Y100AB2C203NQ
	SP	1 only	On-On	4	E	8-1	1-3	—	—	CKC8038-ND	7.08	6.12	5.15	Y101132C201NQ
	SP	1 only	On-On	4	B	8-1	1-3	—	—	CKC8039-ND	7.08	6.12	5.15	Y101132C203NQ
2	SP	1,2	On-On	4	B	8-1	1-3	—	—	CKC8042-ND	7.89	6.82	5.75	Y1011U2R203NQ
	DP	1 only	On-On-On	4	B	8-1, 4-5	1-2, 5-6	7-8, 3-4	—	CKC8043-ND	8.65	7.48	6.30	Y200822C203NQ
	DP	1,2,3	On-On-On	4	B	8-1, 4-5	1-2, 5-6	7-8, 3-4	—	CKC8044-ND	8.65	7.48	6.30	Y200AA2C203NQ
	DP	1 only	On-On	4	E	8-1, 4-5	1-3, 5-7	—	—	CKC8045-ND	8.23	7.11	5.99	Y201132C201NQ
	DP	1 only	On-On	4	B	8-1, 4-5	1-3, 5-7	—	—	CKC8046-ND	8.23	7.11	5.99	Y201132C203NQ
	DP	1 only	On-On	4	B	8-1	1-3	—	—	CKC8040-ND	9.69	8.37	7.05	Y101132V203NQ
3	SP	1,2	On-On	12	C	7-8	8-2	—	—	CKC8004-ND	9.50	8.21	6.92	H1011U2F205NQ
	DP	1,2	On-On	12	C	7-8, 3-4	8-2, 4-6	—	—	CKC8005-ND	7.89	6.82	5.75	H2011U2F205NQ
Replacement Key for Y Series 4 Tumbler A126 Code, Nylon Molded Head.....										CKC8028-ND	1.25	1.08	.91	115140126
Replacement Key for P Series Snap-In Version.....										CKC8029-ND	2.08	1.80	1.52	11599112602
Series 6 Tumbler AAAA Code.....										CKC8027-ND	2.35	2.04	1.72	1110801
4	SP	1,2	On-Off	4	B	—	1-2	—	—	CKC8008-ND	7.91	6.84	5.76	YM061U2C205NQ
	SP	1,2	On-Off	4	D	—	1-2	—	—	CKC8009-ND	8.84	7.64	6.43	YM061U2C2WCNQ
	SP	1 only	On-Off	4	B	—	1-2	—	—	CKC8010-ND	7.91	6.84	5.76	YM06132C205NQ
	SP	1 only	On-Off	4	D	—	1-2	—	—	CKC8011-ND	8.84	7.64	6.43	YM06132C2WCNQ
	Replacement Key for YM Series 4 Tumbler 0029 Code.....										401-2021-ND	1.63	1.31	1.04
5	SP	1 only	On-On	4	B	8-1	1-3	—	—	CKC8012-ND	8.55	7.38	6.22	P10113TCM03Q22
	DP	1 only	On-On	4	B	8-1, 4-5	1-3, 5-7	—	—	CKC8013-ND	9.84	8.50	7.16	P20113TCM03Q22
	SP	1,2	On-On	4	B	8-1	1-3	—	—	CKC8014-ND	8.55	7.38	6.22	P1011UTC03Q22
6	SP	1,2	On-On	4	B	8-1	1-3	—	—	CKC8016-ND	3.94	3.41	2.87	P1011U2WM03N02
	DP	1,2	On-On	4	B	8-1, 4-5	1-3, 5-7	—	—	CKC8017-ND	4.42	3.82	3.22	P2011U2WM03N02
	SP	1 only	On-On	4	B	8-1	1-3	—	—	CKC8018-ND	3.94	3.41	2.87	P101132WM03N02
	DP	1 only	On-On	4	B	8-1, 4-5	1-3, 5-7	—	—	CKC8019-ND	4.54	3.93	3.31	P201132WM03N02
	SP	1 only	On-On	4	B	8-1	1-3	—	—	CKC8033-ND	3.75	3.24	2.73	P101133WM03N02
	DP	1,2	On-On	4	B	8-1, 4-5	1-3, 5-7	—	—	CKC8034-ND	4.35	3.76	3.17	P2011U33WM03N02
7	SP	1 only	On-On	4	B	8-1	1-3	—	—	CKC8035-ND	4.42	3.82	3.22	P2011U33WM03N02
	DP	1 only	On-On	4	B	8-1, 4-5	1-3, 5-7	—	—	CKC1234-ND	7.48	6.46	5.44	YF01132C203NQ
	SP	1,2	On-On	4	B	8-1, 4-5	1-3, 5-7	—	—	CKC1235-ND	8.19	7.08	5.96	YF21132C203NQ
8	SP	1,2	On-On	4	B	8-1	1-3	—	—	CKC1236-ND	7.62	6.59	5.55	YF011U2C203NQ
	SP	1,2	On-On	4	B	8-1	1-3	—	—	CKC8023-ND	8.61	7.44	6.26	BY011UJC03NQ22
	SP	1,2,3	On-On-On	4	B	8-1	1-3	—	—	CKC8024-ND†	9.26	8.00	6.74	BY011UJC03LQ22
9	SP	1,2,3	On-On-On	4	B	8-1	1-2	7-8	—	CKC8025-ND†	9.59	8.29	6.98	BY01AFJC03LQ22
	SP	1 only	Off-On	4	B	1-2	—	—	—	CKC8021-ND	10.06	8.69	7.32	PM0613EBM05KQ22
	SP	1,2	On-Off	4	B	1-2	—	—	—	CKC8022-ND	10.25	8.85	7.46	PM061UEBM05KQ22
5 Tumbler Miniature Camlocks														
10	Miniature Camlock with 90 Index.....									CKC8048-ND	4.12	3.56	3.00	PL001UEBMA1K22



† With Latch Pawl Note: All switches come with hardware and 2 keys.

Honeywell Hobbs Key and Push/Pull Switches

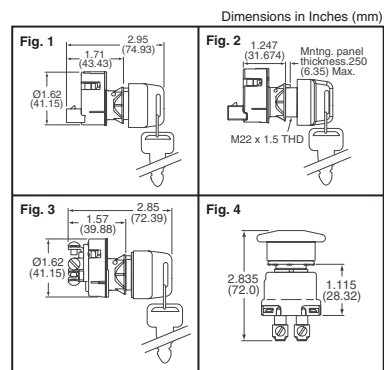
The Hobbs key switch is a custom-engineered, environmentally sealed, sliding contact switch. The stainless steel keyhole shroud and the keyhole dust shutter contribute to the durability of the key tumbler assembly while o-rings protect the contact and rotor assembly from moisture and contamination.

Specifications: • Electrical Rating: 20A @ 12VDC, 8A @ 24VDC (084830 07), 4A @ 48VDC • Cycle Life at Design Electrical Load: 25,000 Cycles

The Hobbs push/pull switch is a robust, environmentally sealed, sliding contact switch incorporating two circuits with multiple combinations. The sliding contacts provide positive contact closure and opening when the switch knob is operated.

Specifications: • Electrical Rating: 20A @ 12 - 14VDC, 10A @ 24VDC • Cycle Life at Design Electrical Load: 25,000 Cycles

Fig.	Circuitry	Switch Function	Operating Temperature (°C)	Digi-Key Part No.	1	50	100	Honeywell Part No.
Key Switches								
1	—	On-Off	-40 - 85	480-2086-ND	17.18	12.46	12.03	084825 02
	—	Off-On-Start	-40 - 85	480-2087-ND	15.41	11.17	10.79	084826 01
	—	Off-On-Start	-40 - 85	700-1001-ND	16.04	11.64	11.24	089477 01
3	—	Off-On	-40 - 85	480-2083-ND	16.14	11.01	10.46	084828 07
	—	Off-On-Start	-40 - 85	480-2084-ND	15.59	11.31	10.92	084829 07
	—	On-Off-On	-40 - 85	480-2085-ND	17.18	12.46	12.03	084830 02
	—	On-Off-On	-40 - 85	700-1002-ND	14.85	10.78	10.40	084830 07
Push/Pull Switches								
4	2 NO	—	-40 - 100	480-2081-ND	13.94	9.96	9.47	087941 08
	1 NO, 1 NC	—	-40 - 100	480-2082-ND	13.36	9.54	9.07	087943 08



Free shipping on orders over £50! All prices are in British pound sterling and include duties.

2052 (UK091) uk.digikey.com — FREEPHONE: 0-800-587-0991 • 0-800-904-7786 — FREEFAX: 0-800-587-0992 • 0-800-904-7783