

CHERRY Rocker Switches

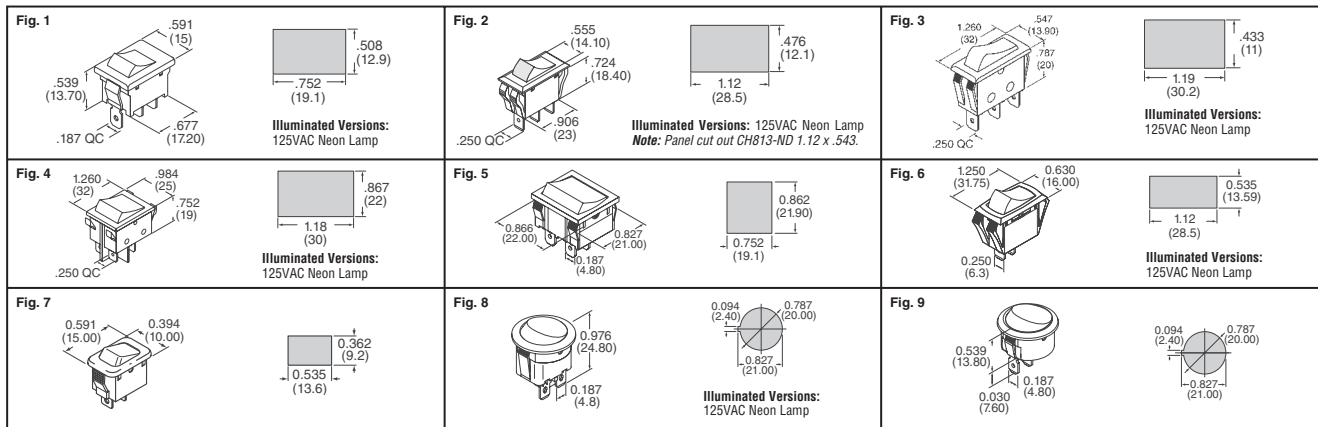
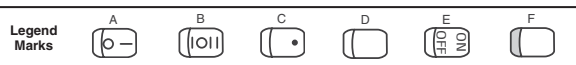


Fig.	Body Color	Actuator Color	Circuit Function	Switch Type	Legend Marking	Digi-Key Part No.	Price Each	1	10	50	Cherry Part No.		
SR Series — 10 Amp Miniature Rocker Switches													
1	Black	Black	On/Off	SPST	A	CH755-ND	.62	.56	.47		SRB22A2FBBNN		
		Black	On/On	SPDT	D	CH756-ND	.67	.60	.50		SRB23A2BBBNN		
		Black	On/Off/On	SPDT	B	CH757-ND	.78	.70	.59		SRB24A2HBBNN		
		Black	On/Off	SPST	D	CH758-ND	.61	.54	.46		SRB22A2BBBNN		
		Black	On/Off	SPST	C	CH759-ND	.61	.54	.46		SRB22A2CBNN		
		Black	On/Off	SPST	E	CH760-ND	.61	.54	.46		SRB22A2EBNN		
1	Black	Red	On/Off	SPST	A	CH761-ND	.62	.56	.47		SRB22A2FBRNN		
		White	On/Off	SPST	D	CH762-ND	.62	.56	.47		SRB22A2BWBNN		
		LR Series — 10 Amp Multi-pole Rocker Switches											
		Black	Black	On/Off	SPST	D	CH763-ND	.73	.65	.54		LRA22H2BBBNN	
			Black	On/On	SPST	A	CH764-ND	.73	.65	.54		LRA22H2FBNN	
			Black	On/Off	SPST	E	CH765-ND	.73	.65	.54		LRA22H2DBNN	
Grey	Grey	On/Off	SPST	A	CH768-ND	.78	.70	.59		LRA22H2FYNN			
	Black	On/Off	DPST	A	CH770-ND	.81	.72	.60		LRA32H2FBNN			
	Black	On/Off	DPST	E	CH771-ND	.81	.72	.60		LRA32H2DBNN			
	Red-Illuminated	On/Off	DPST	D	CH773-ND	.98	.88	.73		LRA32H2BRNN			
	Red-Illuminated	On/Off	SPST	A	CH774-ND	.90	.81	.67		LRA32H2FRNN			
	Red-Illuminated	On/Off	DPST	A	CH775-ND	.98	.88	.73		LRA32H2BRNN			
Black	Green-Illuminated	On/Off	SPST	D	CH776-ND	.90	.81	.67		LRA32H2BGLN			
	Green-Illuminated	On/Off	DPST	A	CH779-ND	.98	.88	.73		LRA32H2FBGLN			
	Amber-Illuminated	On/Off	SPST	D	CH780-ND	.87	.77	.64		LRA32H2BBALN			
	Amber-Illuminated	On/Off	DPST	D	CH781-ND	.98	.88	.73		LRA32H2BBALN			
	CR Series — 20 Amp Standard Rocker Switches												
	Black	Black	On/Off	SPST	D	CH798-ND	.76	.68	.57		CRE22F2BBNE		
Black		On/Off	SPST	A	CH799-ND	.76	.68	.57		CRE22F2BBNE			
Black/Red Shade		On/Off	SPST	F	CH800-ND	.78	.70	.59		CRE22F4BBNE			
Black/Red Shade		On/Off	SPST	E/F	CH801-ND	.78	.70	.59		CRE22F4BBNE			
Black/Red Shade		On/Off	SPST	A/F	CH840-ND	.78	.70	.59		CRE22F4BBNE			
Black		On/Off	SPST	E	CH802-ND	.76	.68	.57		CRE22F2BBNE			
White	Red	On/Off	SPST	A	CH803-ND	.78	.70	.59		CRE22F2FBNE			
	White/Red Shade	On/Off	SPST	F	CH804-ND	.81	.72	.60		CRE22F4BWBNE			
	Grey/Red Shade	On/Off	SPST	F	CH805-ND	.81	.72	.60		CRE22F4BYNE			
	Black	On/On	SPDT	D	CH806-ND	.82	.74	.61		CRE22F2BBNE			
	Black	On/Off/On	SPDT	B	CH807-ND	.89	.79	.66		CRE24F2HBBNE			
	Black	On/Off/On	SPDT	D	CH808-ND	.89	.79	.66		CRE24F2HBBNE			
Black	Red-Illuminated	On/Off	SPST	D	CH809-ND	.96	.86	.72		CRE22F2BBRALE			
	Amber-Illuminated	On/Off	SPST	D	CH810-ND	.96	.86	.72		CRE22F2BBRALE			
	Green-Illuminated	On/Off	SPST	D	CH811-ND	1.02	.91	.76		CRE22F2BBGLN			
	Black/Red Shade	On/Off	SPST	F	CH813-ND	1.10	.98	.82		CRE22F4BBNNW			
	TR Series — 16 Amp Thin Power Rocker Switches												
	3	Black	Black	On/Off	SPST	A	CH792-ND	.84	.75	.63		TRG22F2FBNN	
Black			On/Off	SPST	E	CH793-ND	.84	.75	.63		TRG22F2DBNN		

Fig.	Body Color	Actuator Color	Circuit Function	Switch Type	Legend Marking	Digi-Key Part No.	Price Each	1	10	50	Cherry Part No.		
3	Black	Red	On/Off	SPST	A	CH794-ND	.86	.77	.64		TRG22F2FBRNN		
		Red-Illuminated	On/Off	SPST	D	CH795-ND	1.02	.91	.76		TRG22F2BBRLN		
		Green-Illuminated	On/Off	SPST	D	CH796-ND	1.02	.91	.76		TRG22F2BBGLN		
WR Series — 16 Amp Double-Pole Large Rocker Switches													
4	Black	Black	On/Off	DPST	A	CH784-ND	1.10	.98	.82		WRG32F2BBNN		
		Black	On/Off/On	DPST	B	CH785-ND	1.10	.98	.82		WRG32F5BBNN		
		Black	On/Off/On	DPST	B	CH786-ND	1.34	1.19	.99		WRG34F2HBBNN		
		Red-Illuminated	On/Off	DPST	D	CH787-ND	1.37	1.22	1.02		WRG32F2BBRLN		
		Red-Illuminated	On/Off	DPST	A	CH788-ND	1.37	1.22	1.02		WRG32F2BRNN		
		Red-Illuminated	On/Off	DPST	D	CH789-ND	1.37	1.22	1.02		WRG32F5BBRLN		
4	Black	Green-Illuminated	On/Off	DPST	D	CH790-ND	1.41	1.26	1.05		WRG32F2BBGLN		
		Green-Illuminated	On/Off	DPST	A	CH791-ND	1.45	1.29	1.08		WRG32F2BBGLN		
		YR Series — 20 Amp Double-Pole Power Rocker Switches											
		Black	Black	On/Off	DPST	A	CH905-ND	1.49	1.33	1.11		YRM32F2FBNN	
			Black	On/Off	DPST	D	CH906-ND	1.45	1.29	1.08		YRM32F2BBNN	
			Black	On/Off	DPST	D	CH907-ND	1.84	1.64	1.37		YRM32F2BBRLN	
FR Series — 12 Amp Double-Pole Rocker Switches													
5	Black	Black	On/Off	DPST	D	CH856-ND	1.26	1.12	.93		FRH32A2BBNN		
		Black	On/On	DPST	D	CH857-ND	1.31	1.17	.98		FRH33A2BBNN		
		Black	On/Off	DPST	E	CH859-ND	1.26	1.12	.93		FRH32A2DBNN		
GR Series — 15 Amp Compact Rocker Switches													
6	Black	Black	On/Off	SPST	D	CH860-ND	.76	.68	.57		GRF22N2BBNN		
		Black	On/Off	SPST	A	CH861-ND	.76	.68	.57		GRF22N2FBNN		
		Black	On/On	SPDT	D	CH862-ND	.90	.81	.67		GRF23A2BBNN		
7	Black	Black	On/Off	SPST	D	CH863-ND	1.06	.95	.79		GRF22N2BBRLN		
		Black	On/Off	SPST	E	CH864-ND	.84	.75	.63		PRK22J5BBNN		
		Black	On/Off	SPST	E	CH865-ND	.84	.75	.63		PRK22J5DBNN		
RR Series — 10 Amp Round Rocker Switches													
8	Black	Black	On/Off	SPST	D	CH866-ND	.81	.72	.60		RRA22H3BBNN		
		Black	On/Off	SPST	A	CH869-ND	.81	.72	.60		RRA22H3FBNN		
		Black	On/Off	DPST	A	CH867-ND	1.20	1.07	.89		RRA32A3FBNN		
		Black	Red-Illuminated	On/Off	SPST	D	CH870-ND	1.08	.96	.80		RRA22H3BBRLN	
		Black	Red-Illuminated	On/Off	SPST	D	CH873-ND†	1.08	.96	.80		RRA22H3BBRRH	
		Black	Red-Illuminated	On/Off	DPST	D	CH871-ND	1.43	1.28	1.06		RRA32H3BBRLN	
		Black	Amber-Illuminated	On/Off	SPST	D	CH872-ND	1.08	.96	.80		RRA22H3BBBALN	
		White	White	On/Off	SPST	D	CH868-ND	.81	.72	.60		RRA22H3BWBNN	
		White	Red	On/Off	SPST	D	CH874-ND	.81	.72	.60		RRA22H3BWBNN	
SR Series — 20 Amp Miniature Round Rocker Switches													
9	Black	Black	On/Off	SPST	D	CH875-ND	.90	.81	.67		SRJ22A3BBNN		
		Black	On/On	SPDT	D	CH876-ND	1.06	.95	.79		SRJ23A3BBNN		
		Black	On/Off/On	SPDT	D	CH877-ND	1.14	1.02	.85		SRJ24A3BBNN		
		Black	On/Off/On	SPDT	B	CH878-ND	1.14	1.02	.85		SRJ24A3BBNN		

† 12 VDC Incandescent

NKK SWITCHES

Internationally Approved Rocker Switches High Inrush TV Rated



JW Series: Industry's first molded rockers with TV rating (JWM and JWMW: TV-5; JWL: TV-8). UL, CSA, VDE, SEMKO and SEV approved. Silver contacts, epoxy sealed solder lug terminals. **Electrical Capacity:** JWM and JWMW: 10A @ 125/250VAC; JWMW: 10A @ 30VDC; JWL: 16A @ 125/250VAC. **Dielectric Strength:** 2,000VAC minimum between contacts; 4,000VAC minimum between contacts and case. **Electrical Life:** 25,000 operations minimum **Operating Temperature:** -25°C - 70°C. **Angle of Throw:** 26° **Terminals:** JWM and JWMW: Solder lugs, JWL: .187" QC All switches are black body with black actuator. IP67 Panel Seal Option available.

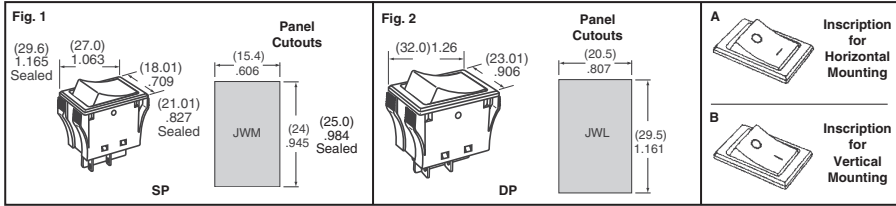


Fig.	Switching Circuit	Function	Marking	Digi-Key Part No.	1	25	100	NKK Part No.
1	SPST	On-Off	A	360-1483-ND	4.90	3.40	3.00	JWM11RA1A
	SPST	On-Off	B	360-1484-ND	4.90	3.40	3.00	JWM11RA2A
	SPST	On-Off	A	360-1715-ND†	5.77	3.93	3.47	JWMW11RA1A
	SPST	On-Off	B	360-1716-ND†	5.77	3.93	3.47	JWMW11RA2A
	DPST	On-Off	A	360-1487-ND	6.15	4.36	3.85	JWM21RA1A
	DPST	On-Off	B	360-1488-ND	6.15	4.36	3.85	JWM21RA2A
	DPST	On-Off	A	360-1717-ND†	6.97	4.74	4.36	JWMW21RA1A

Fig.	Switching Circuit	Function	Marking	Digi-Key Part No.	1	Price Each	25	100	NKK Part No.
1	DPST	On-Off	B	360-1718-ND†	6.97	4.74	4.36	JWMW21RA2A	
	SPST	On-Off	A	360-1481-ND	6.10	4.32	3.82	JWL11RA1A	
	SPST	On-Off	B	360-1492-ND	6.10	4.32	3.82	JWL11RA2A	
2	DPST	On-Off	A	360-1495-ND	7.94	5.63	5.18	JWL21RA1A	
	DPST	On-Off	B	360-1496-ND	7.94	5.63	5.18	JWL21RA2A	
— Switch Boot Waterproof JWL Series					360-1011-ND	2.57	1.59	1.40	AT4126

† Panel Sealed

Free shipping on orders over £50! All prices are in British pound sterling and include duties.

uk.digikey.com — FREEPHONE: 0-800-587-0991 • 0-800-904-7786 — FREEFAX: 0-800-587-0992 • 0-800-904-7783 (UK091) 2013