

General purpose workhorses with options tailored to meet most any need. International approvals, and circuit choices easily integrates into a variety of different applications. The F-Series has a storied history in the Marine, Food Service, Generator, Industrial Control, and Office Automation markets and is appropriate for usage in low voltage DC applications as well. Hardware included.

Operating Temperature: 0°F - 150°F (G-Series 85°C) **Thread:** 15/32 - 32UNS - 2A

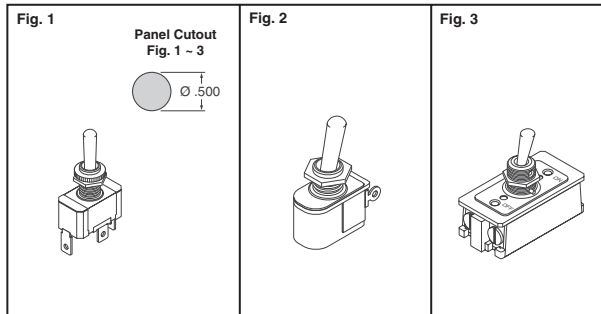
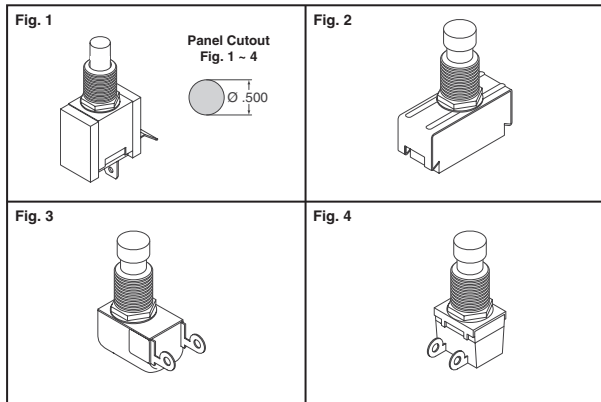


Fig.	Circuit	Function	Terminals	Switch Current (125VAC)	Digi-Key Part No.	Price Each			Carling Tech. Part No.
						1	25	50	
1	SPST	On-Off	.250" QC	15A	432-1074-ND	3.23	1.75	1.25	2FA53-73/TABS
	SPST	On-Off	Screw	15A	432-1075-ND	3.70	2.00	1.43	2FA54-73
	SPDT	On-On	.250" QC	15A	432-1076-ND	3.99	2.15	1.54	2FB53-73/TABS
	SPDT	On-Off-On	.250" QC	15A	432-1077-ND	3.99	2.15	1.54	2FC53-73/TABS
	SPDT	On-Off-On	Screw	15A	432-1078-ND	4.68	2.52	1.80	2FC54-73
	SPDT	Mom-Off-Mom	Screw	15A	432-1079-ND	6.49	3.50	2.50	6FC54-73
	DPST	On-Off	.250" QC	15A	432-1080-ND	5.12	2.76	1.97	2GK51-73
	DPST	On-Off	Screw	15A	432-1081-ND	5.50	2.97	2.12	2GK54-73
	DPDT	On-On	Screw	15A	432-1082-ND	7.51	4.05	2.89	2GL54-73
	DPDT	On-Off-On	.250" QC	15A	432-1083-ND	6.13	3.31	2.36	2GM51-73
	DPDT	On-Off-On	Screw	15A	432-1084-ND	7.51	4.05	2.89	2GM54-73
	3PST	On-Off	Screw	15A	432-1085-ND	11.12	5.99	4.28	HK254-73
2	SPST	On-Off	Solder Lug	6A	432-1216-ND	4.81	2.60	1.86	110-73
	SPST	On-Off	Screw	6A	432-1217-ND	4.81	2.60	1.86	110-S-73
	SPST	On-Off	6" Wire Lead	6A	432-1086-ND	4.81	2.60	1.86	111-16-73
3	DPST	On-Off	Screw	16A	432-1087-ND	7.70	4.15	2.96	DK284-73

◆ RoHS Compliant

Power Pushbutton Switches



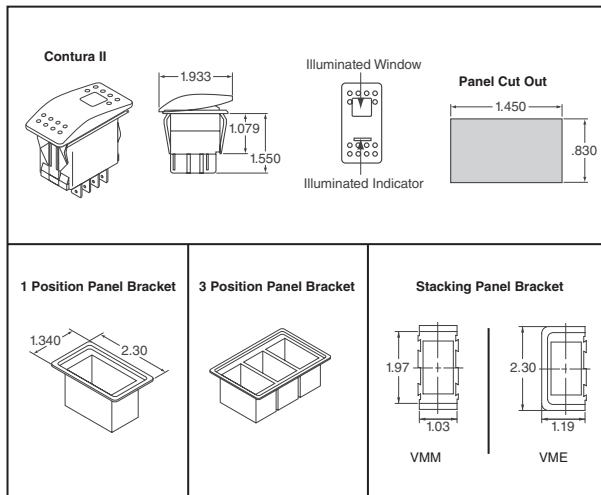
Rugged metal construction, self cleaning contacts and stiff actuation force have made these switches a pillar in the music industry and audiovisual markets. High amperage combined with a low profile makes these switches ideal for "foot-pedal" applications. Hardware included.

Operating Temperature: 32°F - 185°F (0°C - 85°C) **Thread:** 15/32 - 32UNS - 2A

Fig.	Circuit	Function	Terminals	Switch Current (125VAC)	Digi-Key Part No.	Price Each			Carling Tech. Part No.
						1	25	50	
1	SPST	On-Off	.250" QC	20A	432-1205-ND	7.72	4.16	2.97	PA301
	SPST	On-Off	Screw	20A	432-1206-ND	7.74	4.17	2.98	PA304
2	SPST	On-Mom	Screw	15A	432-1207-ND	7.10	3.83	2.74	170
	SPST	Off-Mom	Screw	15A	432-1208-ND	7.10	3.83	2.74	172
3	SPST	On-Off	Solder Lug	6A	432-1209-ND	6.42	3.46	2.47	110-P
	SPST	On-Off	Screw	6A	432-1210-ND	6.66	3.59	2.56	110-SP
	SPDT	On-On	Solder Lug	3A	432-1211-ND	10.15	5.47	3.91	112-P
4	SPST	On-Off	Solder Lug	5A	432-1212-ND	2.90	2.18	1.94	64111210
	SPDT	On-On	Solder Lug	5A	432-1213-ND	6.87	3.70	2.65	64111220
	DPST	On-Off	Solder Lug	5A	432-1214-ND	8.02	4.32	3.09	64112210
	DPDT	On-On	Solder Lug	5A	432-1215-ND	11.44	6.17	4.41	64112220

◆ RoHS Compliant

Contura II Sealed Rocker Switches



The V Series Contura II switches have been the benchmark sealed rocker switch for years. The Contura II is constructed of thermoplastic polycarbonate with a nylon 66 surface overlay and dual seal protection out to IP66/IP68 standards. Illuminated versions are superbright 12V LED for long life, .250" QC terminals for easy wiring to switch.

Specifications: • Actuator Type: Contour Rocker • Rating: 20A @ 12VDC • Contacts: Silver Cad-Oxide • Dielectric Strength: 1500V RMS • Life: 50-100K cycles depending on circuit • Terminals: .250"QC • Lighting: LED-Rated for 100K hours for half life

Terminals to be used with connector housing are 14-18AWG 42100-1, 18-22AWG 60295-2

Circuit	Function	Features	Actuator Color	Digi-Key Part No.	Price Each			Carling Tech. Part No.
					1	25	50	
SPST	On-Off	Illum. Grn. 12V/Amber 12V	Black	432-1088-ND	9.15	4.93	3.53	V1D2GHNB-AAC00-000
SPST	Off-Mom	Illum. Grn. 12V/Amber 12V	Black	432-1089-ND	9.60	5.18	3.70	V2D2GHNB-AAC00-000
SPDT	On-On-Off	Illum. Grn. 12V/Amber 12V	Black	432-1090-ND	12.10	6.52	4.66	VGD2GHNB-AAC00-000
SPDT	On-On	Illum. Grn. 12V/Amber 12V	Black	432-1091-ND	10.17	5.23	3.73	V4D2GHNB-AAC00-000
SPDT	On-Off-On	Illum. Grn. 12V/Amber 12V	Black	432-1092-ND	9.70	5.23	3.73	V6D2GHNB-AAC00-000
SP3T	On-On-On	Illum. Grn. 12V/Amber 12V	Black	432-1093-ND	12.89	6.94	4.96	VED2GHNB-AAC00-000
SPDT	Mom-Off-Mom	Illum. Grn. 12V/Amber 12V	Black	432-1094-ND	10.17	5.48	3.92	V8D2UHNB-AAC00-000
SPST	On-Off	Illuminated Incan 12V	Black	432-1095-ND	5.74	3.09	2.21	V1D2B60B-A9C00-000
SPST	Off-Mom	No Led or Lamp	Black	432-1096-ND	4.68	2.52	1.80	V2D2S00B-AZC00-000
SPDT	On-Off-On	Illuminated Incan 12V	Black	432-1097-ND	7.72	4.16	2.97	V6D2D66B-AAC00-000
DPDT	Mom-Off-Mom	Illum. Grn. 12V/Amber 12V	Black	432-1098-ND	11.87	6.40	4.57	VLD2GHNB-AAC00-000

◆ RoHS Compliant

Accessories

Description	Digi-Key Part No.	Price Each			Carling Tech. Part No.
		1	25	50	
Removal Tool, for removing Contura Actuators	432-1100-ND	2.85	1.54	1.10	VRT
Gasket Seal for Waterproofing Switch to Panel	432-1101-ND	.81	.44	.31	VPS-01
Connector Housing for Contura, Uses Amp 60295-2 Terminals	432-1102-ND	.97	.53	.38	VC1-01
Hole Plug for Filling Panel Punch Holes Not Used, Black	432-1103-ND	1.18	.64	.46	VH2-01
Panel Bracket, Stacking Type Center Panel, Black	432-1104-ND	1.18	.64	.46	VMM-01
Panel Bracket, Stacking Type End Panel, Black	432-1105-ND	1.18	.64	.46	VME-01
Panel Bracket, 1 Position Switch Panel Mount, Black	432-1106-ND	1.47	.79	.57	VMS-01
Panel Bracket, 3 Position Switch Panel Mount, Black	432-1107-ND	3.59	1.94	1.38	VM3-01
Panel Bracket, 6 Position Switch Panel Mount, Black	432-1108-ND	7.19	3.88	2.77	VM6-01

◆ RoHS Compliant

Free shipping on orders over £50! All prices are in British pound sterling and include duties.