

Fig.	Circuit	Function	Switch Current (125VAC)	Digi-Key Part No.	Price Each			NKK Part No.
					1	25	100	
5	SPDT	On-Mom	15A	360-1926-ND	7.73	5.48	5.05	S5AW-RO
	SPDT	Mom-Off-Mom	15A	360-1933-ND★	8.15	5.78	5.32	S8AW-RO
	SPDT	On-Off-Mom	15A	360-1934-ND	8.15	5.78	5.32	S9AW-RO
	DPDT	On-On	20A	360-1928-ND	10.06	7.32	6.64	S6AW-RO
	DPDT	On-Off-On	20A	360-1931-ND	10.11	7.36	6.67	S7AW-RO
	DPST	On-Off	15A	360-1888-ND	9.12	6.61	5.88	S21AW-RO
	DPDT	On-Mom	15A	360-1890-ND	10.11	7.36	6.67	S25AW-RO
	DPDT	Mom-Off-Mom	15A	360-1891-ND	10.51	7.65	6.93	S28AW-RO
	DPDT	On-Off-Mom	15A	360-1892-ND	10.51	7.65	6.93	S29AW-RO
	High Capacity, Screw Lug							
6	DPST	On-Off	30A	360-2096-ND*	16.70	12.78	11.69	S821-RO
	DPDT	On-On	30A	360-2097-ND*	17.32	13.26	12.13	S822-RO
	DPDT	On-Off-On	30A	360-2098-ND*	17.50	13.13	12.25	S823-RO

Fig.	Circuit	Function	Switch Current (125VAC)	Digi-Key Part No.	Price Each			NKK Part No.
					1	25	100	
6	3PST	On-Off	30A	360-2099-ND*	23.97	18.44	17.21	S831-RO
	3PDT	On-On	30A	360-2100-ND*	28.14	21.48	20.37	S832-RO
	3PDT	On-Off-On	30A	360-2101-ND*	28.18	21.51	20.40	S833-RO
	DPDT	On-On	50A	360-2095-ND	37.18	29.14	27.13	S732-RO
Power Toggle Accessories								
7A	On-Off-Plate, 12mm, Nickel, Brass			360-1001-ND★	.76	.42	.35	AT201
	On-Off-Plate, 12mm, Red/Black			360-1003-ND★	1.86	1.11	.99	AT214
7B	On-Off-Plate, 12mm, Red/Black			360-1002-ND★	1.86	1.11	.99	AT202
8	Splashproof Half-Boot, Black			360-1605-ND★	2.53	1.56	1.38	AT401A
	Splashproof Full-Boot, Black			360-1606-ND★	3.11	1.94	1.76	AT402A

* UL/CSA † UL ‡ CSA

Environmentally Sealed Switches

For use in outdoor or harsh applications.



Features: • Sealing at front and back panel meets IP67 of IEC60529 and IP60 Standards • Single unit construction of bushing and case gives added protection from environmental elements • Anti-jamming design protects contacts from damage due to excessive downward force on the toggle • Specially designed contact mechanism for breaking light contact welds • Minimal contact bounce achieved with designed interlocked switching mechanism

Specifications: • **Electrical Capacity:** Toggle: 10A @ 125VAC; Rocker: 15A @ 125VAC • **Dielectric Strength:** Toggle: 1,500VAC minimum; Rocker: 3,750VAC minimum between contacts and case • **Mechanical Life:** 30,000 operations minimum • **Electrical Life:** 15,000 operations minimum • **Operating Temperature:** Toggle: -30°C ~ 70°C; Rocker: -25°C ~ 85°C • **Angle of Throw:** 24° • **Panel Thickness:** .157" (4.0mm) • **Standard Hardware:** Toggle: 1 hex nut, 1 lockwasher, 1 O-ring • **Color:** Black

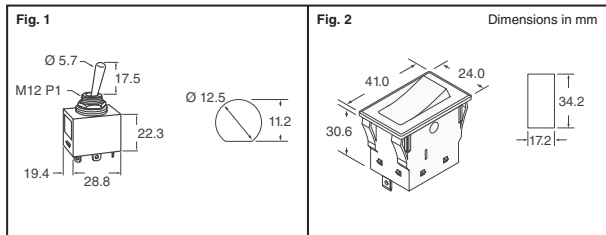


Fig.	Switching Circuit	Termination	Function	Digi-Key Part No.	Price Each			NKK Part No.
					1	25	100	
Sealed Toggle — 10A								
1	SPST	Solder Lug	On-Off	360-1951-ND	8.57	6.22	5.53	WT11S-RO
	SPST	Screw Lug	On-Off	360-1952-ND	9.20	6.67	5.93	WT11T-RO
	SPDT	Solder Lug	On-On	360-1953-ND	9.12	6.61	5.88	WT12S-RO
	SPDT	Screw Lug	On-On	360-1954-ND	9.72	7.05	6.27	WT12T-RO
	SPDT	Solder Lug	On-Off-On	360-1955-ND	9.55	6.93	6.16	WT13S-RO
	SPDT	Screw Lug	On-Off-On	360-1956-ND	9.95	7.24	6.56	WT13T-RO
	DPST	Solder Lug	On-Off	360-1957-ND	12.30	8.95	7.97	WT21S-RO
	DPST	Screw Lug	On-Off	360-1958-ND	12.85	9.49	8.73	WT21T-RO
	DPDT	Solder Lug	On-On	360-1959-ND	12.20	9.01	8.28	WT22S-RO
	DPDT	Screw Lug	On-On	360-1960-ND	13.31	9.83	9.04	WT22T-RO
DPDT	Solder Lug	On-Off-On	360-1961-ND	13.31	9.83	9.04	WT23S-RO	
DPDT	Screw Lug	On-Off-On	360-1962-ND	14.41	10.64	9.78	WT23T-RO	
Sealed Rocker — 15A								
2	SPST	.250" QC	On-Off	360-2277-ND	8.15	5.78	5.32	WR11AF
	SPST	Solder Lug	On-Off	360-1507-ND	8.15	5.78	5.32	WR11AS
	SPST	Solder Lug	On-Off	360-1510-NDΔ	8.15	5.78	5.32	WR11BS
	SPDT	.250" QC	On-On	360-2278-ND	8.38	6.08	5.41	WR12AF
	SPDT	Solder Lug	On-On	360-1513-ND	8.38	6.08	5.41	WR12AS
	SPDT	Solder Lug	On-On	360-1516-NDΔ	8.38	6.08	5.41	WR12BS
	SPDT	.250" QC	On-Off-On	360-2279-ND	8.82	6.40	5.69	WR13AF
	SPDT	Solder Lug	On-Off-On	360-1519-ND	8.82	6.40	5.69	WR13AS
	SPDT	Solder Lug	On-Off-On	360-1522-NDΔ	8.82	6.40	5.69	WR13BS
	SPDT	.250" QC	On-Mom	360-2280-ND	9.68	7.02	6.25	WR15AF
SPDT	.250" QC	Mom-Off-Mom	360-2281-ND	10.70	7.79	7.06	WR18AF	
SPDT	.250" QC	On-Off-Mom	360-2282-ND	10.70	7.79	7.06	WR19AF	

Δ Ivory

Fully Illuminated Toggle and Paddle Switches

TL Series: Interior O-ring protects contacts from oil, dust, water, and other contaminants **Specifications:** • **Power Level:** 6A @ 125VAC • **Electrical Life:** 25,000 operations minimum • **Sealing Ring:** Nitrile butadiene rubber • **Operating Temperature:** -10°C ~ 55°C • IP65 Panel seal when used with optional AT401P O-ring

G Series: Totally sealed body construction prevents contact contamination and allows time and money saving automated soldering and washing **Specifications:** • **Logic Level:** 0.4VA maximum @ 28V AC/DC

maximum • **Electrical Life:** 100,000 operations minimum • **Sealing Rings:** Nitrile butadiene rubber • Non-Illuminated • **Operating Temperature:** -25°C ~ 85°C • **Illuminated Operating Temperature:** -25°C ~ 55°C

GW Series: World's smallest fully illuminated paddles for highly visible status indication. Specially designed switching mechanism provides crisp actuation feedback to positively indicate circuit transfer. **Specifications:** • **Logic Level:** 0.4VA maximum @ 28V AC/DC maximum • **Electrical Life:** 50,000 operations minimum • **Sealing Rings:** Nitrile butadiene rubber • **Operating Temperature:** -25°C ~ 55°C

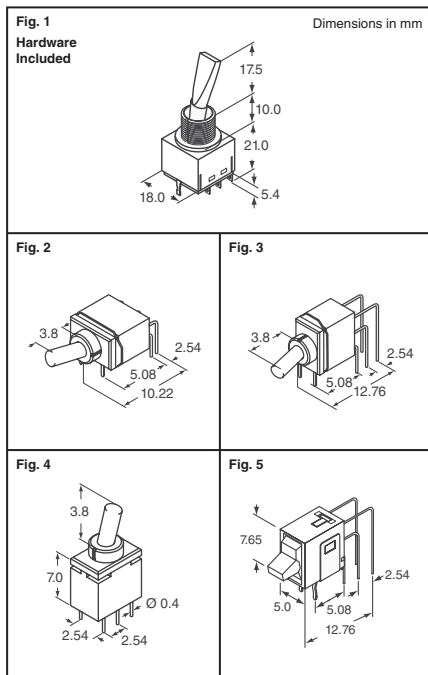


Fig.	Switch Circuit	Actuator Function	Illumination Color	Color	Digi-Key Part No.	Price Each			NKK Part No.
						1	25	100	
Fully Illuminated Toggle Switches									
1	DPDT	On-On	Red	Bright Red	360-1939-ND◆	9.16	6.64	5.91	TL22DAW015C-RO
	DPDT	On-On	Amber	Bright Amber	360-1940-ND◆	9.16	6.64	5.91	TL22DAW015D-RO
	DPDT	On-On	Green	Bright Green	360-1941-ND◆	9.16	6.64	5.91	TL22FAW015F-RO
	DPDT	On-On	Clear	Super Bright White	360-1713-ND	10.54	7.67	6.95	TL22DNAW016B
	DPDT	On-On	Clear	Super Bright White	360-1942-ND◆	10.99	8.00	7.25	TL22DNAW016B-RO
	DPDT	On-On	Clear	Super Bright Blue	360-1944-ND◆	10.99	8.00	7.25	TL22DNAW016F-RO
—	Panel Seal O-Ring for TL Toggles			Super Bright Green	360-1943-ND◆	10.99	8.00	7.25	TL22DNAW016F-RO
—					360-1719-ND◆	.71	.38	.32	AT401P
Ultra-Miniature Fully Illuminated Toggle Switches Process Sealed									
2	SPDT	On-On	Clear	Red	360-1760-ND◆	5.54	3.77	3.33	G12JHC-RO
	SPDT	On-On	Clear	Amber	360-1688-ND	5.26	3.58	3.23	G12JHD
	SPDT	On-On	Clear	Amber	360-1762-ND◆	5.54	3.77	3.33	G12JHD-RO
	SPDT	On-On	Clear	Green	360-1691-ND	5.26	3.58	3.23	G12JHF
	SPDT	On-On	Clear	Green	360-1763-ND◆	5.54	3.77	3.33	G12JHF-RO
	SPDT	On-Off-On	Clear	Red/Green	360-1761-ND◆	6.24	4.42	3.90	G12JHCF-RO
	SPDT	On-Off-On	Clear	Red/Green	360-1771-ND◆	6.46	4.45	4.05	G13JHCF-RO
	SPDT	On-On	Clear	Red	360-1764-ND◆	5.54	3.77	3.33	G12JVC-RO
	SPDT	On-On	Clear	Amber	360-1690-ND	5.26	3.58	3.23	G12JVD
	SPDT	On-On	Clear	Amber	360-1766-ND◆	5.54	3.77	3.33	G12JVD-RO
3	SPDT	On-On	Clear	Green	360-1767-ND◆	5.54	3.77	3.33	G12JVF-RO
	SPDT	On-On	Clear	Red/Green	360-1765-ND◆	6.24	4.42	3.90	G12JVCF-RO
	SPDT	On-Off-On	Clear	Red/Green	360-1772-ND◆	6.46	4.45	4.05	G13JVCF-RO
	SPDT	On-On	Clear	Red	360-1686-ND◆	4.94	3.42	3.03	G12JPC
4	SPDT	On-On	Clear	Amber	360-1689-ND◆	4.94	3.42	3.03	G12JPD
	SPDT	On-On	Clear	Green	360-1692-ND◆	4.94	3.42	3.03	G12JPF
	SPDT	On-On	Clear	Red/Green	360-1695-ND◆	5.66	4.02	3.54	G12JPCF
	SPDT	On-Off-On	Clear	Red/Green	360-1698-ND◆	5.89	4.18	3.69	G13JPCF
Ultra-Miniature Non-Illuminated Toggle Switches Process Sealed — RoHS Compliant									
2	SPDT	On-On	Gray	—	360-1757-ND	3.67	2.34	2.14	G12AH-RO
	SPDT	On-Off-On	Gray	—	360-1768-ND	3.76	2.44	2.24	G13AH-RO
3	SPDT	On-Off-On	Gray	—	360-1759-ND	3.67	2.34	2.14	G12AV-RO
	SPDT	On-Off-On	Gray	—	360-1770-ND	3.76	2.44	2.24	G13AV-RO
4	SPDT	On-On	Gray	—	360-1758-ND	3.25	2.04	1.86	G12AP-RO
	SPDT	On-Off-On	Gray	—	360-1769-ND	3.41	2.14	1.96	G13AP-RO
Ultra Thin Fully Illuminated Paddles — RoHS Compliant									
5	SPDT	On-On	Clear	Red	360-2117-ND	4.74	3.28	2.90	GW12LJVC-RO
	SPDT	On-On	Clear	Amber	360-2118-ND	4.74	3.28	2.90	GW12LJVD-RO
	SPDT	On-On	Clear	Green	360-2119-ND	4.74	3.28	2.90	GW12LJVF-RO

◆ RoHS Compliant

Free shipping on orders over £50! All prices are in British pound sterling and include duties.

uk.digikey.com — FREEPHONE: 0-800-587-0991 • 0-800-904-7786 — FREEFAX: 0-800-587-0992 • 0-800-904-7783

(UK091) 2009