

Circuit	Switching Function	Options		Digi-Key Part No.	Price Each			NKK Part No.
		Actuator	Bush-ing		1	25	100	
3PDT	On-On	S	S1	360-1866-ND\$	6.69	4.60	4.19	M2032SS1W03-RO
4PDT	On-On	S	S1	360-1875-ND\$	8.60	6.23	5.54	M2042SS1W03-RO
SPDT	On-On	S2	A1	360-1789-ND\$	3.13	2.02	1.79	M2012S2A1W03-RO
Fig. 1 - PC Terminal .4VA Gold Contacts - RoHS Compliant								
SPDT	On-Off-On	S	S1	360-1800-ND	3.51	2.24	2.05	M2012SS1G03-RO
SPDT	On-Off-On	S	S1	360-1815-ND	3.78	2.52	2.26	M2013SS1G03-RO
SPDT	On-Mom	S	S1	360-1820-ND	4.19	2.79	2.50	M2015SS1G03-RO
SPDT	Mom-Off-Mom	S	S1	360-1824-ND	4.27	2.84	2.55	M2018SS1G03-RO
SPDT	On-Off-Mom	S	S1	360-1827-ND	4.27	2.84	2.55	M2019SS1G03-RO
SP3T	On-On-On	S	S1	360-1857-ND	6.48	4.46	4.06	M2024SS1G03-RO
DPDT	On-On	S	S1	360-1842-ND	5.01	3.47	3.07	M2022SS1G03-RO
DPDT	On-Off-On	S	S1	360-1851-ND	5.66	3.86	3.40	M2023SS1G03-RO
3PDT	On-On	S	S1	360-1864-ND	7.55	5.35	4.93	M2032SS1G03-RO
4PDT	On-On	S	S1	360-1873-ND	9.84	7.16	6.49	M2042SS1G03-RO
Fig. 2 - Right Angle PC Terminal 6A Silver Contacts - RoHS Compliant								
SPDT	On-On	S2	A2	360-1794-ND	3.51	2.24	2.05	M2012S2A2W30-RO
DPDT	On-On	S2	A2	360-1838-ND	4.97	3.45	3.05	M2022S2A2W30-RO
Fig. 2 - Right Angle PC Terminal .4VA Gold Contacts - RoHS Compliant								
SPDT	On-On	S	A2	360-1796-ND	3.88	2.52	2.30	M2012SA2G30-RO
SPDT	On-On	S2	A2	360-1791-ND	3.88	2.52	2.30	M2012SA2G30-RO
SPDT	On-Off-On	S2	A2	360-1810-ND	4.19	2.79	2.50	M2013S2A2G30-RO
SPDT	Mom-Off-Mom	S2	A2	360-1821-ND\$	4.68	3.12	2.80	M2018S2A2G30-RO
DPDT	On-On	S2	A2	360-1836-ND	5.81	3.95	3.49	M2022S2A2G30-RO
3PDT	On-On	S2	A2	360-1862-ND	8.49	6.16	5.48	M2032S2A2G30-RO
Fig. 3 - Vertical Right Angle PC Terminal .4VA Gold Contacts - RoHS Compliant								
SPDT	On-On	S2	A2	360-1792-ND	3.93	2.62	2.35	M2012S2A2G40-RO
SPDT	On-Off-On	S2	A2	360-1811-ND\$	4.38	2.92	2.62	M2013S2A2G40-RO
SPDT	On-Off-Mom	S2	A2	360-1825-ND	4.68	3.25	2.87	M2019S2A2G40-RO
DPDT	On-On	S2	A2	360-1837-ND	6.00	4.25	3.75	M2022S2A2G40-RO

Circuit	Switching Function	Options		Digi-Key Part No.	Price Each			NKK Part No.
		Actuator	Bush-ing		1	25	100	
SPDT	On-On	S2	A2	360-1793-ND	3.33	2.09	1.91	M2012S2A2W13-RO
Fig. 4 - Vertical Bracket PC Terminal 6A Silver Contacts - RoHS Compliant								
SPDT	On-On	S2	A2	360-1790-ND\$	3.72	2.37	2.17	M2012S2A2G13-RO

Circuit	Switching Function	Options		LED Color	Digi-Key Part No.	Price Each			NKK Part No.
		Actuator	Bush-ing			1	25	100	
Fig. 1 - Solder Lug 6A Silver Contacts - RoHS Compliant									
SPDT	On-On	T	S1	Red/Green	360-2311-ND	7.14	4.86	4.47	M2112TCFW01-RO
				Red	360-2312-ND	6.50	4.47	4.07	M2112TCW01-RO
				Green	360-2313-ND	6.50	4.47	4.07	M2112TFW01-RO
SPDT	On-Off-On	T	S1	Red/Green	360-2314-ND	7.73	5.48	5.05	M2113TCFW01-RO
				Red	360-2315-ND	7.10	5.03	4.63	M2113TCW01-RO
				Green	360-2316-ND	7.10	5.03	4.63	M2113TFW01-RO
DPDT	On-On	T	S1	Red/Green	360-2317-ND	10.06	7.32	6.84	M2122TCFW01-RO
				Red	360-2318-ND	9.68	7.02	6.25	M2122TCW01-RO
				Green	360-2319-ND	9.68	7.02	6.25	M2122TFW01-RO
DPDT	On-Off-On	T	S1	Red	360-2310-ND	10.27	7.47	6.77	M2123TCW01-RO
				Red/Green	360-2320-ND	10.86	7.90	7.16	M2123TCFW01-RO
				Green	360-2321-ND	10.27	7.47	6.77	M2123TFW01-RO

◆ RoHS Compliant † SP3T uses a Dp Body †† DP3T uses a 4p Body

Splashproof Boots



Description	Digi-Key Part No.	Price Each			NKK Part No.
		1	25	100	
Black for 1/4-40 Thd Bushing and .413" (10.49mm) Bat Height	360-1750-ND	2.53	1.56	1.38	AT428H
Gray for M12 Bushing and .689" (17.50mm) Bat Height	360-1706-ND	3.11	1.94	1.76	AT402H
Red for M12 Bushing and .689" (17.50mm) Bat Height	360-1707-ND	3.11	1.94	1.76	AT402C
Yellow for M12 Bushing and .689" (17.50mm) Bat Height	360-1708-ND	3.11	1.94	1.76	AT402E

Power Toggle Switches

Features:

• NKK offers one of the most extensive lines of power toggle switches • Standard switching currents of 15, 25 and 30 Amps • Locking lever type is ideal for preventing accidental switching, lever must be pulled out then switched • All toggles come complete with mounting hardware

Specifications: • Dielectric Strength: 2000V AV minimum • Mechanical Life: 50,000 operations minimum • Operating Temperature: -10°C - 70°C



S Series Toggle Sample Kit

Kit includes 1 each of switches denoted except 360-1001-ND, 360-1002-ND and 360-1003-ND which have 2 each.

Also includes plastic storage case, bin storage guide and hardware.

★ 360-2309-ND 17 Pieces Total - RoHS Compliant 45.74

Fig. 1 - Solder Terminal

Fig. 2 - QC Terminal

Fig. 3 - Locking Lever

Fig. 4 - Screw Terminal

Fig. 5

Fig. 6 - HD Screw Terminal

Fig. 7

Fig. 8

Red/Black Background with "ON" and "OFF" in White Lettering

Dimensions in mm

Fig.	Circuit	Function	Switch Current (125VAC)	Digi-Key Part No.	Price Each			NKK Part No.	
Medium and High Capacity, Solder Lug									
1	SPST	On-Off	15A	360-1896-ND*	3.83	2.55	2.29	S301-RO	
	SPDT	On-On	15A	360-1898-ND*	3.83	2.55	2.29	S302-RO	
	SPDT	On-Off-On	15A	360-1900-ND*	4.17	2.78	2.49	S303-RO	
	SPDT	On-Mom	15A	360-1902-ND†	4.25	2.83	2.54	S305-RO	
	SPDT	Mom-Off-Mom	15A	360-1904-ND†	4.34	2.89	2.59	S308-RO	
	SPDT	On-Off-Mom	15A	360-1906-ND†*	4.51	3.01	2.69	S309-RO	
	DPST	On-Off	25A	360-2087-ND*	5.55	3.78	3.34	S331-RO	
	DPDT	On-On	25A	360-2089-ND*	5.55	3.78	3.34	S332-RO	
	DPDT	On-Off-On	25A	360-1909-ND*	6.27	4.32	3.93	S333-RO	
	DPDT	On-Mom	15A	360-1911-ND*	6.31	4.34	3.95	S335-RO	
	DPDT	Mom-Off-Mom	15A	360-1913-ND†	6.87	4.72	4.30	S338-RO	
	DPDT	On-Off-Mom	15A	360-1915-ND†	6.87	4.72	4.30	S339-RO	
2	3PST	On-Off	25A	360-2083-ND†	7.25	5.14	4.73	S31-RO	
	3PDT	On-On	25A	360-2085-ND†	7.45	5.28	4.86	S32-RO	
	3PDT	On-Off-On	25A	360-1908-ND†	8.00	5.67	5.22	S33-RO	
	3PDT	On-Mom	15A	360-1918-ND*	8.00	5.67	5.22	S35-RO	
	3PDT	Mom-Off-Mom	15A	360-1919-ND*	8.00	5.67	5.22	S38-RO	
	4PST	On-Off	25A	360-2091-ND†*	8.38	6.08	5.41	S41-RO	
	4PDT	On-On	25A	360-2093-ND†	8.38	6.08	5.41	S42-RO	
	4PDT	On-Off-On	25A	360-1923-ND†	9.00	6.53	5.81	S43-RO	
	4PDT	On-Mom	15A	360-1925-ND†	9.00	6.53	5.81	S45-RO	
	Medium and High Capacity, .250" (6.35mm) Quick Connect								
	2	SPST	On-Off	15A	360-1887-ND	3.51	2.24	2.05	S1F-RO
		SPDT	On-On	15A	360-1895-ND	3.87	2.58	2.31	S2F-RO
SPDT		On-Off-On	15A	360-1922-ND*	4.04	2.69	2.41	S3F-RO	
DPST		On-Off	15A	360-1889-ND	4.67	3.23	2.86	S21F-RO	
DPDT		On-On	20A	360-1929-ND	5.72	3.89	3.44	S6F-RO	
DPDT		On-Off-On	20A	360-1932-ND	5.76	3.92	3.46	S7F-RO	
3PST		On-Off	25A	360-2084-ND*	7.81	5.54	5.10	S31F-RO	
3PDT		On-On	25A	360-2086-ND*	8.00	5.67	5.22	S32F-RO	

Fig.	Circuit	Function	Switch Current (125VAC)	Digi-Key Part No.	Price Each			NKK Part No.
2	3PDT	On-Off-On	25A	360-1917-ND*	8.41	6.10	5.43	S33F-RO
	4PST	On-Off	25A	360-2092-ND*	8.86	6.42	5.71	S41F-RO
	4PDT	On-On	25A	360-2094-ND*	9.12	6.61	5.88	S42F-RO
	4PDT	On-Off-On	25A	360-1924-ND*	9.74	7.06	6.28	S43F-RO
Medium Capacity, Solder Lug, Locking Lever with Panel Seal								
3	SPST	On-Off	15A	360-1885-ND	9.23	6.69	5.95	S1AL-RO
	SPDT	On-On	15A	360-1893-ND*	9.98	7.26	6.58	S2AL-RO
	SPDT	On-Off-On	15A	360-1920-ND*	10.19	7.42	6.72	S3AL-RO
	DPDT	On-On	20A	360-1927-ND	11.95	8.69	7.88	S6AL-RO
	DPDT	On-Off-On	20A	360-1930-ND	12.03	8.75	7.80	S7AL-RO
Medium Capacity, Screw Lug								
4	SPST	On-Off	15A	360-1897-ND*	4.21	2.81	2.51	S301T-RO
	SPDT	On-On	15A	360-1899-ND*	4.34	2.89	2.59	S302T-RO
	SPDT	On-Off-On	15A	360-1901-ND*	4.59	3.06	2.74	S303T-RO
	SPDT	On-Mom	15A	360-1903-ND†	4.51	3.01	2.69	S305T-RO
	SPDT	Mom-Off-Mom	15A	360-1905-ND†	4.78	3.31	2.93	S308T-RO
	DPST	On-Off-Mom	15A	360-1907-ND†	4.78	3.31	2.93	S309T-RO
	DPST	On-Off	15A	360-2088-ND*	5.96	4.23	3.73	S331T-RO
	DPDT	On-On	15A	360-2090-ND*	6.27	4.32	3.93	S332T-RO
	DPDT	On-Off-On	15A	360-1910-ND*	7.02	4.77	4.39	S333T-RO
	DPDT	On-Mom	15A	360-1912-ND*	7.22	4.90	4.51	S335T-RO
	DPDT	Mom-Off-Mom	15A	360-1914-ND*	7.25	5.14	4.73	S338T-RO
	DPDT	On-Off-Mom	15A	360-1916-ND*	7.45	5.28	4.86	S339T-RO
Medium Capacity, Solder Lug with Panel Seal								
5	SPDT	On-Off	15A	360-1886-ND	7.43	5.27	4.85	S1AW-RO
	SPDT	On-On	15A	360-1894-ND	8.10	5.74	5.29	S2AW-RO
	SPDT	On-Off-On	15A	360-1921-ND	8.33	6.04	5.37	S3AW-RO

* UL/CSA † UL ‡ CSA

(Continued)

Free shipping on orders over £50! All prices are in British pound sterling and include duties.
 2008 (UK091) uk.digikey.com - FREEPHONE: 0-800-587-0991 • 0-800-904-7786 - FREEFAX: 0-800-587-0992 • 0-800-904-7783

Fig.	Circuit	Function	Switch Current (125VAC)	Digi-Key Part No.	Price Each			NKK Part No.
					1	25	100	
5	SPDT	On-Mom	15A	360-1926-ND	7.73	5.48	5.05	S5AW-RO
	SPDT	Mom-Off-Mom	15A	360-1933-ND★	8.15	5.78	5.32	S8AW-RO
	SPDT	On-Off-Mom	15A	360-1934-ND	8.15	5.78	5.32	S9AW-RO
	DPDT	On-On	20A	360-1928-ND	10.06	7.32	6.64	S6AW-RO
	DPDT	On-Off-On	20A	360-1931-ND	10.11	7.36	6.67	S7AW-RO
	DPST	On-Off	15A	360-1888-ND	9.12	6.61	5.88	S21AW-RO
	DPDT	On-Mom	15A	360-1890-ND	10.11	7.36	6.67	S25AW-RO
	DPDT	Mom-Off-Mom	15A	360-1891-ND	10.51	7.65	6.93	S28AW-RO
	DPDT	On-Off-Mom	15A	360-1892-ND	10.51	7.65	6.93	S29AW-RO
	High Capacity, Screw Lug							
6	DPST	On-Off	30A	360-2096-ND*	16.70	12.78	11.69	S821-RO
	DPDT	On-On	30A	360-2097-ND*	17.32	13.26	12.13	S822-RO
	DPDT	On-Off-On	30A	360-2098-ND*	17.50	13.13	12.25	S823-RO

Fig.	Circuit	Function	Switch Current (125VAC)	Digi-Key Part No.	Price Each			NKK Part No.
					1	25	100	
6	3PST	On-Off	30A	360-2099-ND*	23.97	18.44	17.21	S831-RO
	3PDT	On-On	30A	360-2100-ND*	28.14	21.48	20.37	S832-RO
	3PDT	On-Off-On	30A	360-2101-ND*	28.18	21.51	20.40	S833-RO
	DPDT	On-On	50A	360-2095-ND	37.18	29.14	27.13	S732-RO
Power Toggle Accessories								
7A	On-Off-Plate, 12mm, Nickel, Brass			360-1001-ND★	.76	.42	.35	AT201
	On-Off-Plate, 12mm, Red/Black			360-1003-ND★	1.86	1.11	.99	AT214
7B	On-Off-Plate, 12mm, Red/Black			360-1002-ND★	1.86	1.11	.99	AT202
8	Splashproof Half-Boot, Black			360-1605-ND★	2.53	1.56	1.38	AT401A
	Splashproof Full-Boot, Black			360-1606-ND★	3.11	1.94	1.76	AT402A

* UL/CSA † UL ‡ CSA

Environmentally Sealed Switches

For use in outdoor or harsh applications.



Features: • Sealing at front and back panel meets IP67 of IEC60529 and IP60 Standards • Single unit construction of bushing and case gives added protection from environmental elements • Anti-jamming design protects contacts from damage due to excessive downward force on the toggle • Specially designed contact mechanism for breaking light contact welds • Minimal contact bounce achieved with designed interlocked switching mechanism

Specifications: • **Electrical Capacity:** Toggle: 10A @ 125VAC; Rocker: 15A @ 125VAC • **Dielectric Strength:** Toggle: 1,500VAC minimum; Rocker: 3,750VAC minimum between contacts and case • **Mechanical Life:** 30,000 operations minimum • **Electrical Life:** 15,000 operations minimum • **Operating Temperature:** Toggle: -30°C ~ 70°C; Rocker: -25°C ~ 85°C • **Angle of Throw:** 24° • **Panel Thickness:** .157" (4.0mm) • **Standard Hardware:** Toggle: 1 hex nut, 1 lockwasher, 1 O-ring • **Color:** Black

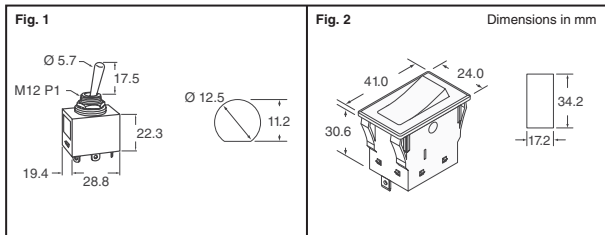


Fig.	Switching Circuit	Termination	Function	Digi-Key Part No.	Price Each			NKK Part No.
					1	25	100	
Sealed Toggle — 10A								
1	SPST	Solder Lug	On-Off	360-1951-ND	8.57	6.22	5.53	WT11S-RO
	SPST	Screw Lug	On-Off	360-1952-ND	9.20	6.67	5.93	WT11T-RO
	SPDT	Solder Lug	On-On	360-1953-ND	9.12	6.61	5.88	WT12S-RO
	SPDT	Screw Lug	On-On	360-1954-ND	9.72	7.05	6.27	WT12T-RO
	SPDT	Solder Lug	On-Off-On	360-1955-ND	9.55	6.93	6.16	WT13S-RO
	SPDT	Screw Lug	On-Off-On	360-1956-ND	9.95	7.24	6.56	WT13T-RO
	DPST	Solder Lug	On-Off	360-1957-ND	12.30	8.95	7.97	WT21S-RO
	DPST	Screw Lug	On-Off	360-1958-ND	12.85	9.49	8.73	WT21T-RO
	DPDT	Solder Lug	On-On	360-1959-ND	12.20	9.01	8.28	WT22S-RO
	DPDT	Screw Lug	On-On	360-1960-ND	13.31	9.83	9.04	WT22T-RO
DPDT	Solder Lug	On-Off-On	360-1961-ND	13.31	9.83	9.04	WT23S-RO	
DPDT	Screw Lug	On-Off-On	360-1962-ND	14.41	10.64	9.78	WT23T-RO	
Sealed Rocker — 15A								
2	SPST	.250" QC	On-Off	360-2277-ND	8.15	5.78	5.32	WR11AF
	SPST	Solder Lug	On-Off	360-1507-ND	8.15	5.78	5.32	WR11AS
	SPST	Solder Lug	On-Off	360-1510-NDΔ	8.15	5.78	5.32	WR11BS
	SPDT	.250" QC	On-On	360-2278-ND	8.38	6.08	5.41	WR12AF
	SPDT	Solder Lug	On-On	360-1513-ND	8.38	6.08	5.41	WR12AS
	SPDT	Solder Lug	On-On	360-1516-NDΔ	8.38	6.08	5.41	WR12BS
	SPDT	.250" QC	On-Off-On	360-2279-ND	8.82	6.40	5.69	WR13AF
	SPDT	Solder Lug	On-Off-On	360-1519-ND	8.82	6.40	5.69	WR13AS
	SPDT	Solder Lug	On-Off-On	360-1522-NDΔ	8.82	6.40	5.69	WR13BS
	SPDT	.250" QC	On-Mom	360-2280-ND	9.68	7.02	6.25	WR15AF
SPDT	.250" QC	Mom-Off-Mom	360-2281-ND	10.70	7.79	7.06	WR18AF	
SPDT	.250" QC	On-Off-Mom	360-2282-ND	10.70	7.79	7.06	WR19AF	

Δ Ivory

Fully Illuminated Toggle and Paddle Switches

TL Series: Interior O-ring protects contacts from oil, dust, water, and other contaminants **Specifications:** • **Power Level:** 6A @ 125VAC • **Electrical Life:** 25,000 operations minimum • **Sealing Ring:** Nitrile butadiene rubber • **Operating Temperature:** -10°C ~ 55°C • IP65 Panel seal when used with optional AT401P O-ring

G Series: Totally sealed body construction prevents contact contamination and allows time and money saving automated soldering and washing **Specifications:** • **Logic Level:** 0.4VA maximum @ 28V AC/DC

maximum • **Electrical Life:** 100,000 operations minimum • **Sealing Rings:** Nitrile butadiene rubber • Non-Illuminated • **Operating Temperature:** -25°C ~ 85°C • **Illuminated Operating Temperature:** -25°C ~ 55°C

GW Series: World's smallest fully illuminated paddles for highly visible status indication. Specially designed switching mechanism provides crisp actuation feedback to positively indicate circuit transfer. **Specifications:** • **Logic Level:** 0.4VA maximum @ 28V AC/DC maximum • **Electrical Life:** 50,000 operations minimum • **Sealing Rings:** Nitrile butadiene rubber • **Operating Temperature:** -25°C ~ 55°C

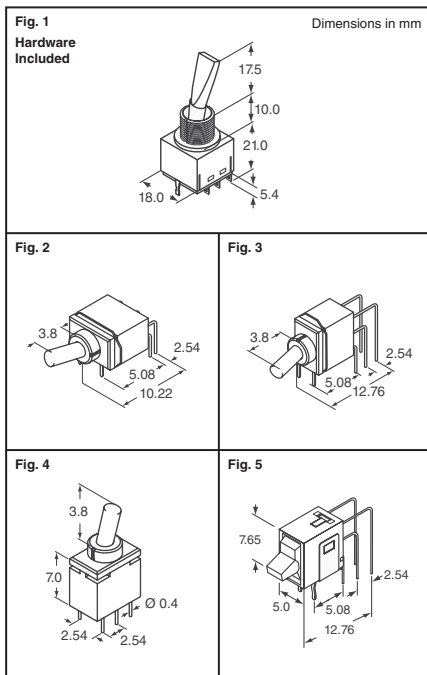


Fig.	Switch Circuit	Actuator Function	Illumination Color	Color	Digi-Key Part No.	Price Each			NKK Part No.
						1	25	100	
Fully Illuminated Toggle Switches									
1	DPDT	On-On	Red	Bright Red	360-1939-ND◆	9.16	6.64	5.91	TL22DAW015C-RO
	DPDT	On-On	Amber	Bright Amber	360-1940-ND◆	9.16	6.64	5.91	TL22DAW015D-RO
	DPDT	On-On	Green	Bright Green	360-1941-ND◆	9.16	6.64	5.91	TL22FAW015F-RO
	DPDT	On-On	Clear	Super Bright White	360-1713-ND	10.54	7.67	6.95	TL22DNAW016B
	DPDT	On-On	Clear	Super Bright White	360-1942-ND◆	10.99	8.00	7.25	TL22DNAW016B-RO
	DPDT	On-On	Clear	Super Bright Blue	360-1944-ND◆	10.99	8.00	7.25	TL22DNAW016F-RO
—	Panel Seal O-Ring for TL Toggles			Super Bright Green	360-1943-ND◆	10.99	8.00	7.25	TL22DNAW016F-RO
—					360-1719-ND◆	.71	.38	.32	AT401P
Ultra-Miniature Fully Illuminated Toggle Switches Process Sealed									
2	SPDT	On-On	Clear	Red	360-1760-ND◆	5.54	3.77	3.33	G12JHC-RO
	SPDT	On-On	Clear	Amber	360-1688-ND	5.26	3.58	3.23	G12JHD
	SPDT	On-On	Clear	Amber	360-1762-ND◆	5.54	3.77	3.33	G12JHD-RO
	SPDT	On-On	Clear	Green	360-1691-ND	5.26	3.58	3.23	G12JHF
	SPDT	On-On	Clear	Green	360-1763-ND◆	5.54	3.77	3.33	G12JHF-RO
	SPDT	On-Off-On	Clear	Red/Green	360-1761-ND◆	6.24	4.42	3.90	G12JHCF-RO
	SPDT	On-Off-On	Clear	Red/Green	360-1771-ND◆	6.46	4.45	4.05	G13JHCF-RO
	SPDT	On-On	Clear	Red	360-1764-ND◆	5.54	3.77	3.33	G12JVC-RO
	SPDT	On-On	Clear	Amber	360-1690-ND	5.26	3.58	3.23	G12JVD
	SPDT	On-On	Clear	Amber	360-1766-ND◆	5.54	3.77	3.33	G12JVD-RO
3	SPDT	On-On	Clear	Green	360-1767-ND◆	5.54	3.77	3.33	G12JVF-RO
	SPDT	On-On	Clear	Red/Green	360-1765-ND◆	6.24	4.42	3.90	G12JVF-RO
	SPDT	On-Off-On	Clear	Red/Green	360-1772-ND◆	6.46	4.45	4.05	G13JVF-RO
	SPDT	On-On	Clear	Red	360-1686-ND◆	4.94	3.42	3.03	G12JPC
4	SPDT	On-On	Clear	Amber	360-1689-ND◆	4.94	3.42	3.03	G12JPD
	SPDT	On-On	Clear	Green	360-1692-ND◆	4.94	3.42	3.03	G12JPF
	SPDT	On-On	Clear	Red/Green	360-1695-ND◆	5.66	4.02	3.54	G12JPCF
	SPDT	On-Off-On	Clear	Red/Green	360-1698-ND◆	5.89	4.18	3.69	G13JPCF
Ultra-Miniature Non-Illuminated Toggle Switches Process Sealed — RoHS Compliant									
2	SPDT	On-On	Gray	—	360-1757-ND	3.67	2.34	2.14	G12AH-RO
	SPDT	On-Off-On	Gray	—	360-1768-ND	3.76	2.44	2.24	G13AH-RO
3	SPDT	On-Off-On	Gray	—	360-1759-ND	3.67	2.34	2.14	G12AV-RO
	SPDT	On-Off-On	Gray	—	360-1770-ND	3.76	2.44	2.24	G13AV-RO
4	SPDT	On-On	Gray	—	360-1758-ND	3.25	2.04	1.86	G12AP-RO
	SPDT	On-Off-On	Gray	—	360-1769-ND	3.41	2.14	1.96	G13AP-RO
Ultra Thin Fully Illuminated Paddles — RoHS Compliant									
5	SPDT	On-On	Clear	Red	360-2117-ND	4.74	3.28	2.90	GW12LJVC-RO
	SPDT	On-On	Clear	Amber	360-2118-ND	4.74	3.28	2.90	GW12LJVD-RO
	SPDT	On-On	Clear	Green	360-2119-ND	4.74	3.28	2.90	GW12LJVF-RO

◆ RoHS Compliant

Free shipping on orders over £50! All prices are in British pound sterling and include duties.

uk.digikey.com — FREEPHONE: 0-800-587-0991 • 0-800-904-7786 — FREEFAX: 0-800-587-0992 • 0-800-904-7783

(UK091) 2009