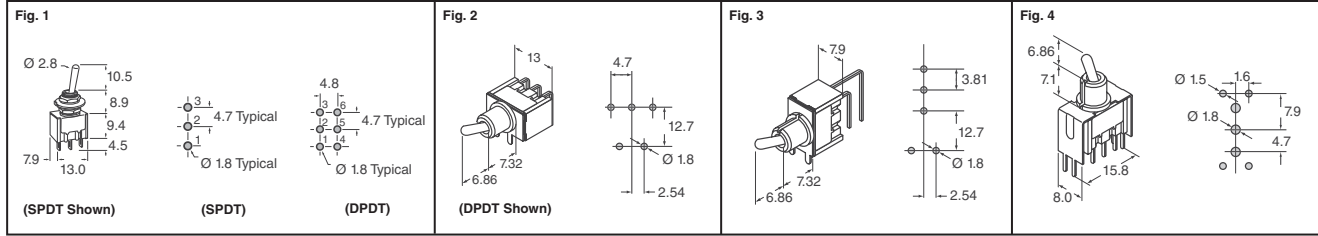


Kit includes 1 each of switches denoted. Also includes plastic storage case, bin storage guide and hardware.

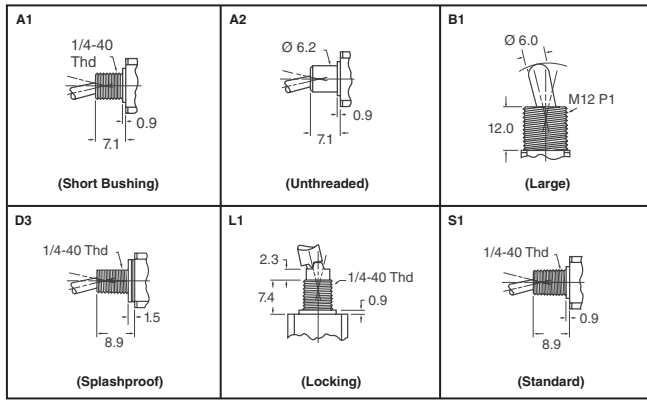
§ 360-2293-ND 18 Pieces Total — RoHS Compliant ... 25.41

M Series: Over 350,000 different configurations possible, with the most popular listed here. Epoxy sealed terminals, high torque bushings, anti-jamming levers. Available as PCB mount or solder lug terminal for ease of wiring. • **Dielectric strength:** 1,500VAC minimum • **Mechanical Life:** 100,000 operations minimum, 50,000 operations minimum for flat and locking lever • **Electrical Life:** 25,000 operations minimum • **Operating Temperature:** -30°C - 85°C • **Angle of Throw:** 25° • **Standard Hardware:** 2 hex nuts, 1 locking ring, 1 lockwasher

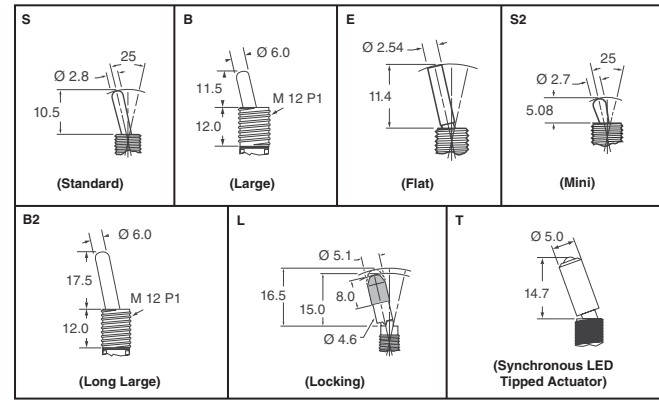
Dimensions in mm



Bushings



Actuators



Circuit	Switching Function	Options		Digi-Key Part No.	Price Each			NKK Part No.
		Actuator	Bushing		1	25	100	
Fig. 1 - Solder Lug 6A Silver Contacts								
SPDT	On-On	B	B1	360-1782-ND	4.53	3.02	2.71	M2012BB1W01-RO
SPDT	On-Off-On	B	B1	360-1804-ND	4.79	3.32	2.94	M2013BB1W01-RO
SPDT	On-Off-Mom	B	B1	360-2067-ND	5.26	3.58	3.23	M2019BB1W01-RO
DPDT	On-On	B	B1	360-1836-ND	5.66	3.86	3.40	M2022BB1W01-RO
DPDT	On-Off-On	B	B1	360-1846-ND	6.06	4.30	3.79	M2023BB1W01-RO
3PDT	On-On	B	B1	360-1858-ND	7.68	5.45	5.01	M2032BB1W01-RO
SPDT	On-On	B2	B1	360-1781-ND	4.68	3.12	2.80	M2012B2B1W01-RO
SPDT	On-Off-On	B2	B1	360-1803-ND	4.94	3.42	3.03	M2013B2B1W01-RO
SPDT	Mom-Off-Mom	B2	B1	360-2061-ND	5.41	3.68	3.32	M2018B2B1W01-RO
DPDT	On-On	B2	B1	360-1829-ND	5.81	3.95	3.49	M2022B2B1W01-RO
DPDT	On-Off-On	B2	B1	360-1845-ND	6.20	4.40	3.88	M2023B2B1W01-RO
SPDT	On-On	E	S1	360-1784-ND	3.72	2.42	2.21	M2012ES1W01-RO
SPDT	On-Off-On	E	S1	360-1806-ND	4.04	2.69	2.41	M2013ES1W01-RO
SPDT	On-Mom	E	S1	360-2056-ND	4.46	2.97	2.66	M2015ES1W01-RO
SPDT	Mom-Off-Mom	E	S1	360-2062-ND	4.53	3.02	2.71	M2019ES1W01-RO
SPDT	On-Off-Mom	E	S1	360-2068-ND	4.53	3.02	2.71	M2019ES1W01-RO
SP3T	On-On-On	E	S1	360-2072-ND	6.24	4.42	3.90	M2024ES1W01-RO
DPDT	On-On	E	S1	360-1832-ND	4.76	3.30	2.92	M2022ES1W01-RO
DPDT	On-Off-On	E	S1	360-1848-ND	5.41	3.68	3.32	M2023ES1W01-RO
DPDT	On-Mom	E	S1	360-2075-ND	5.85	4.15	3.66	M2025ES1W01-RO
DPDT	On-Off-On	E	S1	360-2308-ND	6.06	4.30	3.79	M2028ES1W01-RO
DPDT	On-Off-Mom	E	S1	360-2079-ND	6.06	4.30	3.79	M2029ES1W01-RO
3PDT	On-On	E	S1	360-1860-ND	7.14	4.86	4.47	M2032ES1W01-RO
3PDT	On-Off-On	E	S1	360-1867-ND	8.23	5.97	5.31	M2033ES1W01-RO
4PDT	On-On	E	S1	360-1870-ND	8.95	6.49	5.77	M2042ES1W01-RO
SPDT	On-On	L	L1	360-1787-ND	4.65	3.22	2.85	M2012LL1W01-RO
SPDT	On-Off-On	L	L1	360-1809-ND	5.08	3.46	3.12	M2013LL1W01-RO
SPDT	On-Mom	L	L1	360-2057-ND	5.48	3.73	3.29	M2015LL1W01-RO
DPDT	On-On	L	L1	360-1834-ND	5.71	4.05	3.58	M2022LL1W01-RO
DPDT	On-Off-On	L	L1	360-1849-ND	6.35	4.37	3.97	M2023LL1W01-RO
3PDT	On-On	L	L1	360-1861-ND	7.95	5.64	5.19	M2032LL1W01-RO
3PDT	On-Off-On	L	L1	360-1868-ND	9.31	6.75	6.01	M2033LL1W01-RO
4PDT	On-On	L	L1	360-1871-ND	9.81	7.14	6.47	M2042LL1W01-RO
SPDT	On-On	S	S1	360-1801-ND	3.11	1.94	1.76	M2012SS1W01-RO
SPDT	On-Off-On	S	S1	360-1816-ND	3.50	2.19	2.00	M2013SS1W01-RO
SPDT	On-Mom	S	S1	360-2059-ND	3.80	2.47	2.26	M2015SS1W01-RO
SPDT	Mom-Off-Mom	S	S1	360-2065-ND	3.88	2.52	2.30	M2018SS1W01-RO
SPDT	On-Off-Mom	S	S1	360-2070-ND	3.88	2.52	2.30	M2019SS1W01-RO
SP3T	On-On-On	S	S1	360-2073-ND	5.74	3.90	3.45	M2024SS1W01-RO
DPDT	On-On	S	S1	360-1843-ND	4.15	2.77	2.48	M2022SS1W01-RO
DPDT	On-Off-On	S	S1	360-1852-ND	4.65	3.22	2.85	M2023SS1W01-RO
DPDT	On-Mom	S	S1	360-2076-ND	5.34	3.63	3.27	M2025SS1W01-RO
DPDT	Mom-Off-Mom	S	S1	360-2078-ND	5.55	3.78	3.34	M2028SS1W01-RO
DPDT	On-Off-Mom	S	S1	360-2080-ND	5.55	3.78	3.34	M2029SS1W01-RO
DP3T	On-On-On	S	S1	360-2082-ND	11.75	8.55	7.75	M2044SS1W01-RO
3PDT	On-On	S	S1	360-1865-ND	6.41	4.41	4.01	M2032SS1W01-RO
3PDT	On-Off-On	S	S1	360-1869-ND	7.72	5.47	5.04	M2033SS1W01-RO
3PDT	Mom-Off-Mom	S	S1	360-2081-ND	9.28	6.73	5.98	M2038SS1W01-RO
4PDT	On-On	S	S1	360-1874-ND	8.27	5.99	5.33	M2042SS1W01-RO
4PDT	On-Off-On	S	S1	360-1876-ND	9.65	7.02	6.36	M2043SS1W01-RO
SPDT	On-On	S	D3	360-1088-ND	3.72	2.42	2.21	M2012SD3W01-RO
SPDT	On-Off-On	S	D3	360-1089-ND	4.04	2.69	2.41	M2013SD3W01-RO

Circuit	Switching Function	Options		Digi-Key Part No.	Price Each			NKK Part No.
		Actuator	Bushing		1	25	100	
Fig. 1 - Solder Lug .4VA Gold Contacts - RoHS Compliant								
SPDT	On-Mom	S	D3	360-1090-ND	4.46	2.97	2.66	M2015SD3W01-RO
SPDT	Mom-Off-Mom	S	D3	360-1091-ND	4.53	3.02	2.71	M2018SD3W01-RO
SPDT	On-Off-Mom	S	D3	360-1092-ND	4.53	3.02	2.71	M2019SD3W01-RO
DPDT	On-On	S	D3	360-1093-ND	4.76	3.30	2.92	M2022SD3W01-RO
DPDT	On-Off-On	S	D3	360-1094-ND	5.41	3.68	3.32	M2023SD3W01-RO
DPDT	Mom-Off-Mom	S	D3	360-1095-ND	6.06	4.30	3.79	M2028SD3W01-RO
SPDT	On-On	S2	A1	360-1788-ND	3.11	1.94	1.76	M2012S2A1W01-RO
DPDT	On-On	S2	A1	360-1835-ND	4.15	2.77	2.48	M2022S2A1W01-RO
SPDT	On-On	S2	S1	360-1795-ND	3.11	1.94	1.76	M2012S2S1W01-RO
Fig. 1 - Solder Lug .4VA Gold Contacts - RoHS Compliant								
SPDT	On-On	B2	B1	360-1780-ND	4.90	3.40	3.00	M2012B2B1G01-RO
DPDT	On-On	B2	B1	360-1828-ND	6.37	4.39	3.99	M2022B2B1G01-RO
SPDT	On-On	E	S1	360-1783-ND	4.00	2.67	2.39	M2012ES1G01-RO
SPDT	On-Off-On	E	S1	360-1805-ND	4.46	2.97	2.66	M2013ES1G01-RO
SP3T	On-On-On	E	S1	360-1855-ND	7.04	4.79	4.40	M2024ES1G01-RO
DPDT	On-On	E	S1	360-1831-ND	5.59	3.81	3.36	M2022ES1G01-RO
DPDT	On-Off-On	E	S1	360-1847-ND	6.00	4.25	3.75	M2023ES1G01-RO
3PDT	On-On	E	S1	360-1859-ND	7.98	5.66	5.21	M2032ES1G01-RO
SPDT	On-On	L	L1	360-1786-ND	5.05	3.50	3.09	M2012LL1G01-RO
SPDT	On-Off-On	L	L1	360-1808-ND	5.48	3.73	3.29	M2013LL1G01-RO
SPDT	On-Mom	L	L1	360-1818-ND	5.88	4.00	3.53	M2015LL1G01-RO
DPDT	On-On	L	L1	360-1833-ND	6.52	4.49	4.08	M2022LL1G01-RO
SPDT	On-On	S	D3	360-1140-ND	4.00	2.67	2.39	M2012SD3G01
SPDT	On-Off-On	S	D3	360-1141-ND	4.46	2.97	2.66	M2013SD3G01
SPDT	Mom-Off-Mom	S	D3	360-1143-ND	4.76	3.30	2.92	M2018SD3G01
DPDT	On-On	S	D3	360-1144-ND	5.59	3.81	3.36	M2022SD3G01
SPDT	On-On	S	S1	360-1799-ND	3.46	2.16	1.98	M2012SS1G01-RO
SPDT	On-Off-On	S	S1	360-1814-ND	3.80	2.47	2.26	M2013SS1G01-RO
SPDT	On-Mom	S	S1	360-1819-ND	4.08	2.72	2.44	M2015SS1G01-RO
SPDT	Mom-Off-Mom	S	S1	360-1823-ND	4.15	2.77	2.48	M2018SS1G01-RO
SPDT	On-Off-Mom	S	S1	360-1826-ND	4.15	2.77	2.48	M2019SS1G01-RO
DPDT	On-On	S	S1	360-1841-ND	4.83	3.35	2.96	M2022SS1G01-RO
SP3T	On-On-On	S	S1	360-1856-ND	6.31	4.34	3.95	M2032SS1G01-RO
3PDT	On-On	S	S1	360-1863-ND	7.28	5.16	4.75	M2038SS1G01-RO
4PDT	On-On	S	S1	360-1872-ND	9.74	7.06	6.28	M2042SS1G01-RO
Fig. 1 - PC Terminal 6A Silver Contacts								
SPDT	On-On	E	S1	360-1785-ND	3.84	2.49	2.28	M2012ES1W03-RO
SPDT	On-Off-On	E	S1	360-1151-ND	3.94	2.63	2.36	M2013ES1W03
SPDT	On-Off-On	E	S1	360-1807-ND	4.15	2.77	2.48	M2013ES1W03-RO
SPDT	Mom-Off-Mom	E	S1	360-2063-ND	4.65	3.09	2.77	M2018ES1W03-RO
SPDT	On-On	S	S1	360-1802-ND	3.13	2.02	1.79	M2012SS1W03-RO
SPDT	On-Off-On	S	S1	360-1817-ND	3.56	2.27	2.07	M2013SS1W03-RO
SPDT	On-Mom	S	S1	360-2060-ND	3.78	2.52	2.26	M2015SS1W03-RO
SPDT	On-Off-Mom	S	S1	360-2071-ND	3.85	2.57	2.30	M2018SS1W03-RO
SPDT	Mom-Off-Mom	S	S1	360-1081-ND	4.20	3.37	2.67	M2018SS1W03
SPDT	Mom-Off-Mom	S	S1	360-2066-ND	3.85	2.57	2.30	M2018SS1W03-RO
SP3T	On-Off-On	S	S1	360-2074-ND	5.68	4.03	3.56	M2024SS1W03-RO
DPDT	On-On	S	S1	360-1844-ND	4.34	2.89	2.59	M2022SS1W03-RO
DPDT	On-Off-On	S	S1	360-1853-ND	4.83	3.35	2.96	M2023SS1W03-RO

• RoHS Compliant † SP3T uses a Dp Body †† DP3T uses a 4p Body

(Continued)

Free shipping on orders over £50! All prices are in British pound sterling and include duties.

uk.digikey.com — FREEPHONE: 0-800-587-0991 • 0-800-904-7786 — FREEFAX: 0-800-587-0992 • 0-800-904-7783

(UK091) 2007

Circuit	Switching Function	Options		Digi-Key Part No.	Price Each			NKK Part No.
		Actuator	Bush-ing		1	25	100	
3PDT	On-On	S	S1	360-1866-ND\$	6.69	4.60	4.19	M2032SS1W03-RO
4PDT	On-On	S	S1	360-1875-ND\$	8.60	6.23	5.54	M2042SS1W03-RO
SPDT	On-On	S2	A1	360-1789-ND\$	3.13	2.02	1.79	M2012S2A1W03-RO

Fig. 1 - PC Terminal .4VA Gold Contacts - RoHS Compliant

Circuit	Switching Function	Options		Digi-Key Part No.	Price Each			NKK Part No.
		Actuator	Bush-ing		1	25	100	
SPDT	On-Off	S	S1	360-1800-ND	3.51	2.24	2.05	M2012SS1G03-RO
SPDT	On-Off-On	S	S1	360-1815-ND	3.78	2.52	2.26	M2013SS1G03-RO
SPDT	On-Mom	S	S1	360-1820-ND	4.19	2.79	2.50	M2015SS1G03-RO
SPDT	Mom-Off-Mom	S	S1	360-1824-ND	4.27	2.84	2.55	M2018SS1G03-RO
SPDT	On-Off-Mom	S	S1	360-1827-ND	4.27	2.84	2.55	M2019SS1G03-RO
SP3T	On-On-On	S	S1	360-1857-ND	6.48	4.46	4.07	M2024SS1G03-RO
DPDT	On-On	S	S1	360-1842-ND	5.01	3.47	3.07	M2022SS1G03-RO
DPDT	On-Off-On	S	S1	360-1851-ND	5.66	3.86	3.40	M2023SS1G03-RO
3PDT	On-On	S	S1	360-1864-ND	7.55	5.35	4.93	M2032SS1G03-RO
4PDT	On-On	S	S1	360-1873-ND	9.84	7.16	6.49	M2042SS1G03-RO

Fig. 2 - Right Angle PC Terminal 6A Silver Contacts - RoHS Compliant

Circuit	Switching Function	Options		Digi-Key Part No.	Price Each			NKK Part No.
		Actuator	Bush-ing		1	25	100	
SPDT	On-On	S2	A2	360-1794-ND	3.51	2.24	2.05	M2012S2A2W30-RO
DPDT	On-On	S2	A2	360-1838-ND	4.97	3.45	3.05	M2022S2A2W30-RO

Fig. 2 - Right Angle PC Terminal .4VA Gold Contacts - RoHS Compliant

Circuit	Switching Function	Options		Digi-Key Part No.	Price Each			NKK Part No.
		Actuator	Bush-ing		1	25	100	
SPDT	On-On	S	A2	360-1796-ND	3.88	2.52	2.30	M2012SA2G30-RO
SPDT	On-On	S2	A2	360-1791-ND	3.88	2.52	2.30	M2012SA2G30-RO
SPDT	On-Off-On	S2	A2	360-1810-ND	4.19	2.79	2.50	M2013SA2G30-RO
SPDT	Mom-Off-Mom	S2	A2	360-1821-ND\$	4.68	3.12	2.80	M2018SA2G30-RO
DPDT	On-On	S2	A2	360-1836-ND	5.81	3.95	3.49	M2022SA2G30-RO
3PDT	On-On	S2	A2	360-1862-ND	8.49	6.16	5.48	M2032SA2G30-RO

Fig. 3 - Vertical Right Angle PC Terminal .4VA Gold Contacts - RoHS Compliant

Circuit	Switching Function	Options		Digi-Key Part No.	Price Each			NKK Part No.
		Actuator	Bush-ing		1	25	100	
SPDT	On-On	S2	A2	360-1792-ND	3.93	2.62	2.35	M2012S2A2G40-RO
SPDT	On-Off-On	S2	A2	360-1811-ND\$	4.38	2.92	2.62	M2013S2A2G40-RO
SPDT	On-Off-Mom	S2	A2	360-1825-ND	4.68	3.25	2.87	M2019S2A2G40-RO
DPDT	On-On	S2	A2	360-1837-ND	6.00	4.25	3.75	M2022S2A2G40-RO

Circuit	Switching Function	Options		Digi-Key Part No.	Price Each			NKK Part No.
		Actuator	Bush-ing		1	25	100	
SPDT	On-On	S2	A2	360-1793-ND	3.33	2.09	1.91	M2012S2A2W13-RO

Fig. 4 - Vertical Bracket PC Terminal 6A Silver Contacts - RoHS Compliant

Circuit	Switching Function	Options		Digi-Key Part No.	Price Each			NKK Part No.
		Actuator	Bush-ing		1	25	100	
SPDT	On-On	S2	A2	360-1790-ND\$	3.72	2.37	2.17	M2012S2A2G13-RO

Fig. 4 - Vertical Bracket PC Terminal .4VA Gold Contacts - RoHS Compliant

Circuit	Switching Function	Options		Digi-Key Part No.	Price Each			NKK Part No.
		Actuator	Bush-ing		1	25	100	
SPDT	On-On	T	S1	360-2311-ND	7.14	4.86	4.47	M2112TCFW01-RO
SPDT	On-Off	T	S1	360-2312-ND	6.50	4.47	4.07	M2112TCFW01-RO
			S1	360-2313-ND	6.50	4.47	4.07	M2112TFW01-RO
SPDT	On-Off-On	T	S1	360-2314-ND	7.73	5.48	5.05	M2113TCFW01-RO
			S1	360-2315-ND	7.10	5.03	4.63	M2113TCFW01-RO
DPDT	On-On	T	S1	360-2316-ND	10.06	7.32	6.84	M2122TCFW01-RO
			S1	360-2317-ND	9.68	7.02	6.25	M2122TCFW01-RO
DPDT	On-Off-On	T	S1	360-2318-ND	10.27	7.47	6.77	M2123TCFW01-RO
			S1	360-2319-ND	10.86	7.90	7.16	M2123TCFW01-RO

Fig. 1 - Solder Lug 6A Silver Contacts - RoHS Compliant

Circuit	Switching Function	Options		LED Color	Digi-Key Part No.	Price Each			NKK Part No.
		Actuator	Bush-ing			1	25	100	
SPDT	On-On	T	S1	Red/Green	360-2311-ND	7.14	4.86	4.47	M2112TCFW01-RO
			S1	Red	360-2312-ND	6.50	4.47	4.07	M2112TCFW01-RO
			S1	Green	360-2313-ND	6.50	4.47	4.07	M2112TFW01-RO
SPDT	On-Off-On	T	S1	Red/Green	360-2314-ND	7.73	5.48	5.05	M2113TCFW01-RO
			S1	Red	360-2315-ND	7.10	5.03	4.63	M2113TCFW01-RO
			S1	Green	360-2316-ND	7.10	5.03	4.63	M2113TFW01-RO
DPDT	On-On	T	S1	Red/Green	360-2317-ND	10.06	7.32	6.84	M2122TCFW01-RO
			S1	Red	360-2318-ND	9.68	7.02	6.25	M2122TCFW01-RO
			S1	Green	360-2319-ND	9.68	7.02	6.25	M2122TFW01-RO
DPDT	On-Off-On	T	S1	Red	360-2310-ND	10.27	7.47	6.77	M2123TCFW01-RO
			S1	Red/Green	360-2320-ND	10.86	7.90	7.16	M2123TCFW01-RO
			S1	Green	360-2321-ND	10.27	7.47	6.77	M2123TFW01-RO

♦ RoHS Compliant † SP3T uses a Dp Body †† DP3T uses a 4p Body

Splashproof Boots



Description	Digi-Key Part No.	Price Each			NKK Part No.
		1	25	100	
Black for 1/4-40 Thd Bushing and .413" (10.49mm) Bat Height	360-1750-ND	2.53	1.56	1.38	AT428H
Gray for M12 Bushing and .689" (17.50mm) Bat Height	360-1706-ND	3.11	1.94	1.76	AT402H
Red for M12 Bushing and .689" (17.50mm) Bat Height	360-1707-ND	3.11	1.94	1.76	AT402C
Yellow for M12 Bushing and .689" (17.50mm) Bat Height	360-1708-ND	3.11	1.94	1.76	AT402E

Power Toggle Switches

Features:

• NKK offers one of the most extensive lines of power toggle switches • Standard switching currents of 15, 25 and 30 Amps • Locking lever type is ideal for preventing accidental switching, lever must be pulled out then switched • All toggles come complete with mounting hardware

Specifications: • Dielectric Strength: 2000V AV minimum • Mechanical Life: 50,000 operations minimum • Operating Temperature: -10°C - 70°C



S Series Toggle Sample Kit

Kit includes 1 each of switches denoted except 360-1001-ND, 360-1002-ND and 360-1003-ND which have 2 each.

Also includes plastic storage case, bin storage guide and hardware.

★ 360-2309-ND 17 Pieces Total - RoHS Compliant 45.74

Fig. 1 - Solder Terminal

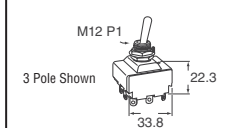


Fig. 2 - QC Terminal

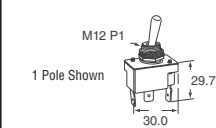


Fig. 3 - Locking Lever

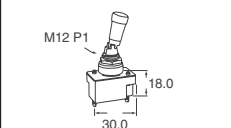


Fig. 4 - Screw Terminal

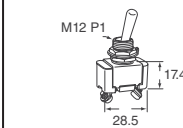


Fig. 5 Dimensions in mm

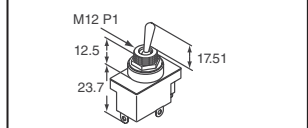


Fig. 6 - HD Screw Terminal

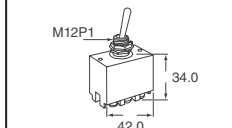


Fig. 7

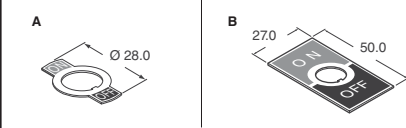


Fig. 8

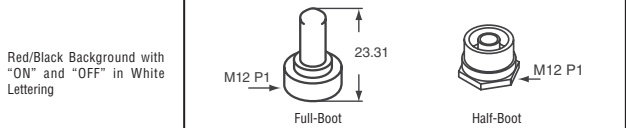


Fig.	Circuit	Function	Switch Current (125VAC)	Digi-Key Part No.	Price Each			NKK Part No.	
Medium and High Capacity, Solder Lug									
1	SPST	On-Off	15A	360-1896-ND*	3.83	2.55	2.29	S301-RO	
	SPDT	On-On	15A	360-1898-ND*	3.83	2.55	2.29	S302-RO	
	SPDT	On-Off-On	15A	360-1900-ND*	4.17	2.78	2.49	S303-RO	
	SPDT	On-Mom	15A	360-1902-ND†	4.25	2.83	2.54	S305-RO	
	SPDT	Mom-Off-Mom	15A	360-1904-ND†	4.34	2.89	2.59	S308-RO	
	SPDT	On-Off-Mom	15A	360-1906-ND†*	4.51	3.01	2.69	S309-RO	
	DPST	On-Off	25A	360-2087-ND*	5.55	3.78	3.34	S331-RO	
	DPDT	On-On	25A	360-2089-ND*	5.55	3.78	3.34	S332-RO	
	DPDT	On-Off-On	25A	360-1909-ND*	6.27	4.32	3.93	S333-RO	
	DPDT	On-Mom	15A	360-1911-ND*	6.31	4.34	3.95	S335-RO	
	DPDT	Mom-Off-Mom	15A	360-1913-ND†	6.87	4.72	4.30	S338-RO	
	2	DPDT	On-Off-Mom	15A	360-1915-ND†	6.87	4.72	4.30	S339-RO
3PST		On-Off	25A	360-2083-ND†	7.25	5.14	4.73	S31-RO	
3PDT		On-On	25A	360-2085-ND†	7.45	5.28	4.86	S32-RO	
3PDT		On-Off-On	25A	360-1908-ND†	8.00	5.67	5.22	S33-RO	
3PDT		On-Mom	15A	360-1918-ND*	8.00	5.67	5.22	S35-RO	
3PDT		Mom-Off-Mom	15A	360-1919-ND*	8.00	5.67	5.22	S38-RO	
4PST		On-Off	25A	360-2091-ND†*	8.38	6.08	5.41	S41-RO	
4PDT		On-On	25A	360-2093-ND†	8.38	6.08	5.41	S42-RO	
4PDT		On-Off-On	25A	360-1923-ND†	9.00	6.53	5.81	S43-RO	
4PDT		On-Mom	15A	360-1925-ND†	9.00	6.53	5.81	S45-RO	
Medium and High Capacity, .250" (6.35mm) Quick Connect									
2		SPST	On-Off	15A	360-1887-ND	3.51	2.24	2.05	S1F-RO
	SPDT	On-On	15A	360-1895-ND	3.87	2.58	2.31	S2F-RO	
	SPDT	On-Off-On	15A	360-1922-ND*	4.04	2.69	2.41	S3F-RO	
	DPST	On-Off	15A	360-1889-ND	4.67	3.23	2.86	S21F-RO	
	DPDT	On-On	20A	360-1929-ND	5.72	3.89	3.44	S6F-RO	
	DPDT	On-Off-On	20A	360-1932-ND	5.76	3.92	3.46	S7F-RO	
3	3PST	On-Off	25A	360-2084-ND*	7.81	5.54	5.10	S31F-RO	
	3PDT	On-On	25A	360-2086-ND*	8.00	5.67	5.22	S32F-RO	

Fig.	Circuit	Function	Switch Current (125VAC)	Digi-Key Part No.	Price Each			NKK Part No.
2	3PDT	On-Off-On	25A	360-1917-ND*	8.41	6.10	5.43	S33F-RO
	4PST	On-Off	25A	360-2092-ND*	8.86	6.42	5.71	S41F-RO
	4PDT	On-On	25A	360-2094-ND*	9.12	6.61	5.88	S42F-RO
	4PDT	On-Off-On	25A	360-1924-ND*				