



Momentary Tact Switches KT11 Series

Dim. in mm

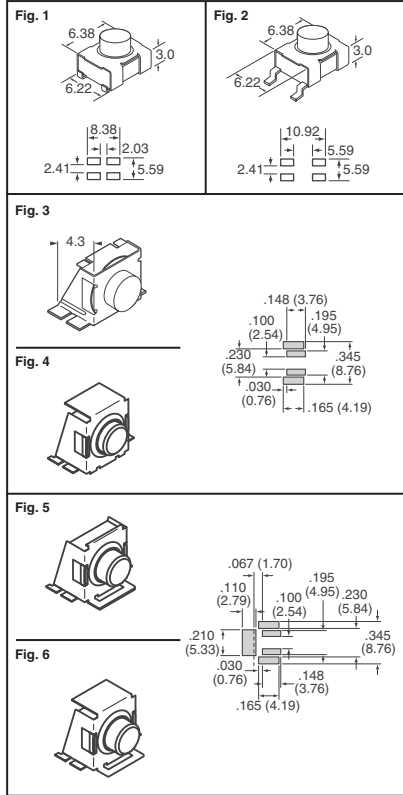


Fig.	Actuator Height	Termination	Contact Material	Digi-Key Part No.	Cut Tape Price Each			Digi-Key Part No.	Tape and Reel		C&K Components Part No.
					1	25	100		Qty.	Pricing	
1	Flush	J-Lead	Silver	CKN1831CT-ND	1.71	1.58	1.45	CKN1831TR-ND	1,100	946.13/M	KT11B0JM34LFS
	.025"	J-Lead	Silver	CKN1835CT-ND	1.86	1.72	1.58	CKN1835TR-ND	1,100	1029.76/M	KT11B1JM34LFS
	.088"	J-Lead	Silver	CKN1864CT-ND	1.89	1.76	1.61	CKN1864TR-ND	1,100	1050.67/M	KT11B2JM34LFS
	.093"	J-Lead	Silver	CKN1842CT-ND	1.76	1.63	1.50	CKN1842TR-ND	1,100	976.19/M	KT11P2JM34LFS
	.044"	J-Lead	Silver	CKN1849CT-ND	1.74	1.61	1.48	CKN1849TR-ND	1,100	965.73/M	KT11P3JM34LFS
	.156"	J-Lead	Silver	CKN1855CT-ND	1.79	1.65	1.52	CKN1855TR-ND	800	791.40	KT11P4JM34LFS
2	Flush	Gullwing	Silver	CKN1834CT-ND	1.98	1.83	1.68	CKN1834TR-ND	1,100	1097.71/M	KT11B0SM34LFS
	.025"	Gullwing	Silver	CKN1838CT-ND	2.16	1.99	1.83	CKN1838TR-ND	1,100	1193.11/M	KT11B1SM34LFS
	.088"	Gullwing	Silver	CKN1841CT-ND	2.16	2.00	1.83	CKN1841TR-ND	1,100	1197.03/M	KT11B2SM34LFS
	.093"	Gullwing	Silver	CKN1848CT-ND	2.02	1.87	1.71	CKN1848TR-ND	1,100	1117.32/M	KT11P2SM34LFS
	.044"	Gullwing	Silver	CKN1854CT-ND	2.00	1.85	1.69	CKN1854TR-ND	1,100	1105.56/M	KT11P3SM34LFS
	.156"	Gullwing	Silver	CKN1860CT-ND	2.04	1.89	1.73	CKN1860TR-ND	800	903.26	KT11P4SM34LFS
3	Flush	Gullwing	Silver	CKN1832CT-ND	1.88	1.74	1.60	CKN1832TR-ND	800	834.26	KT11B0SAM34LFS
	Flush	Gullwing	Gold	CKN1804CT-ND	2.00	1.86	1.70	—	—	—	KT11B0SAM33
	.025"	Gullwing	Silver	CKN1836CT-ND	1.89	1.76	1.61	CKN1836TR-ND	800	840.53	KT11B1SAM34LFS
	.025"	Gullwing	Gold	CKN1805CT-ND	2.34	2.17	1.99	—	—	—	KT11B1SAM33
	.025"	Gullwing	Gold	CKN1837CT-ND	2.94	2.72	2.49	CKN1837TR-ND	800	1302.62	KT11B1SAM35LFG
	.088"	Gullwing	Silver	CKN1839CT-ND	1.92	1.77	1.63	CKN1839TR-ND	800	848.90	KT11B2SAM34LFS
	.088"	Gullwing	Gold	CKN1806CT-ND	2.05	1.90	1.74	—	—	—	KT11B2SAM33
	.088"	Gullwing	Gold	CKN1840CT-ND	2.94	2.72	2.49	CKN1840TR-ND	800	1302.62	KT11B2SAM35LFG
4	Press Fit	Gullwing	Silver	CKN1862CT-ND	2.13	1.97	1.80	CKN1862TR-ND	500	588.06	KT11S1SA3M34LFS
	.093"	Gullwing	Gold	CKN1803CT-ND	1.59	1.47	1.35	—	—	—	KT11P2SA3M33
	.093"	Gullwing	Gold	CKN1847CT-ND	2.47	2.28	2.09	CKN1847TR-ND	500	683.46	KT11P2SA3M35LFG
	.093"	Gullwing	Silver	CKN1846CT-ND	2.47	2.28	2.09	CKN1846TR-ND	500	683.46	KT11P2SA3M33
	.044"	Gullwing	Gold	CKN1785CT-ND	2.14	1.98	1.82	—	—	—	KT11P3SA3M33
	.044"	Gullwing	Gold	CKN1853CT-ND	2.91	2.69	2.47	CKN1853TR-ND	500	806.95	KT11P3SA3M35LFG
	.156"	Gullwing	Gold	CKN1859CT-ND	4.83	4.46	4.09	CKN1859TR-ND	500	1337.51	KT11P4SA3M35LFG
5	.093"	Gullwing	Gold	CKN1807CT-ND	2.00	1.86	1.70	—	—	—	KT11P2SA1M33
	.093"	Gullwing	Gold	CKN1843CT-ND	2.52	2.33	2.14	CKN1843TR-ND	800	1115.48	KT11P2SA1M35LFG
	.044"	Gullwing	Silver	CKN1850CT-ND	1.88	1.74	1.60	CKN1850TR-ND	800	834.26	KT11P3SA1M34LFS
	.044"	Gullwing	Gold	CKN1808CT-ND	2.00	1.86	1.70	—	—	—	KT11P3SA1M33
	.156"	Gullwing	Silver	CKN1856CT-ND	1.92	1.77	1.63	CKN1856TR-ND	800	848.90	KT11P4SA1M34LFS
	.156"	Gullwing	Gold	CKN1857CT-ND	2.47	2.28	2.09	CKN1857TR-ND	800	1093.53	KT11P4SA1M35LFG
6	Press Fit	Gullwing	Gold	CKN1861CT-ND	2.63	2.43	2.23	CKN1861TR-ND	600	874.25	KT11S1SA2M35LFG
	Snap Fit	Gullwing	Gold	CKN1863CT-ND	2.63	2.43	2.23	CKN1863TR-ND	600	874.25	KT11S2SA2M35LFG
	.093"	Gullwing	Silver	CKN1844CT-ND	1.89	1.76	1.61	CKN1844TR-ND	600	630.40	KT11P2SA2M34LFS
	.093"	Gullwing	Gold	CKN1810CT-ND	2.00	1.86	1.70	—	—	—	KT11P2SA2M33
	.093"	Gullwing	Gold	CKN1845CT-ND	2.64	2.44	2.24	CKN1845TR-ND	600	878.17	KT11P2SA2M35LFG
	.044"	Gullwing	Gold	CKN1802CT-ND	2.00	1.86	1.70	—	—	—	KT11P3SA2M33
	.044"	Gullwing	Gold	CKN1852CT-ND	2.34	2.17	1.99	CKN1852TR-ND	3,000	1082.47/M	KT11P3SA2M35LFG
	.156"	Gullwing	Gold	CKN1858CT-ND	2.53	2.34	2.15	CKN1858TR-ND	600	842.10	KT11P4SA2M35LFG

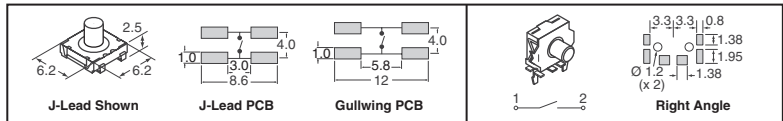
◆ RoHS Compliant

Sealed Surface Mount Tact Switches KSC Series — Washable, Totally Sealed (IP67)



Dim. in mm

• Circuit: SPST-NO • Switching: Maximum Voltage: 32VDC; Maximum Current: Silver: 50mA; Gold: 10mA • Contact Resistance: <100mΩ • Operating Temperature: Silver: -40°C - 85°C; Gold: -40°C - 125°C



Operating Force	Actuator	Termination	Contact Material	Digi-Key Part No.	Cut Tape Price Each			Digi-Key Part No.	Tape and Reel		C&K Components Part No.
					1	25	100		Qty.	Pricing	
160gF	Flush	Gullwing	Silver	401-1749-1-ND	.30	.28	.25	—	—	—	KSC121GLFS
300gF	Flush	Gullwing	Silver	401-1071-1-ND	.34	.32	.30	—	—	—	KSC141G
300gF	Flush	Gullwing	Silver	401-1751-1-ND	.30	.28	.25	401-1751-2-ND	2,000	163.35/M	KSC141GLFS
300gF	Flush	J-Lead	Silver	401-1072-1-ND	.34	.32	.30	—	—	—	KSC141J
300gF	Flush	J-Lead	Silver	401-1752-1-ND	.30	.28	.25	—	—	—	KSC141JLFS
550gF	Flush	Gullwing	Silver	401-1073-1-ND	.36	.33	.30	—	—	—	KSC151G
550gF	Flush	Gullwing	Silver	401-1753-1-ND	.39	.37	.34	—	—	—	KSC151GLFS
550gF	Flush	J-Lead	Silver	401-1074-1-ND	.36	.33	.30	—	—	—	KSC151J
550gF	Flush	J-Lead	Silver	401-1754-1-ND	.39	.37	.34	401-1754-2-ND	2,000	218.24/M	KSC151JLFS
120gF	Soft 3.5mm	Gullwing	Silver	401-1457-1-ND	.34	.32	.30	—	—	—	KSC201G
120gF	Soft 3.5mm	Gullwing	Silver	401-1755-1-ND	.31	.29	.27	401-1755-2-ND	2,000	173.81/M	KSC201GLFS
120gF	Soft 3.5mm	J-Lead	Silver	401-1756-1-ND	.31	.29	.27	401-1756-2-ND	2,000	173.81/M	KSC201JLFS
160gF	Soft 3.5mm	J-Lead	Silver	CKN9195CT-ND	.30	.29	.26	CKN9195TR-ND	2,000	169.89/M	KSC222J LFS
160gF	Soft 3.5mm	Gullwing	Silver	CKN9194CT-ND	.30	.29	.26	CKN9194TR-ND	2,000	169.89/M	KSC222G LFS
200gF	Soft 3.5mm	Gullwing	Silver	401-1757-1-ND	.30	.28	.26	401-1757-2-ND	2,000	165.97/M	KSC221GLFS
200gF	Soft 3.5mm	J-Lead	Silver	401-1758-1-ND	.30	.28	.26	401-1758-2-ND	2,000	165.97/M	KSC221JLFS
160gF	Soft 3.5mm	Gullwing	Gold	401-1459-1-ND	.43	.40	.36	—	—	—	KSC223G
160gF	Soft 3.5mm	Gullwing	Gold	401-1759-1-ND	.42	.39	.36	401-1759-2-ND	2,000	232.61/M	KSC223GLFG
160gF	Soft 3.5mm	J-Lead	Gold	401-1460-1-ND	.43	.40	.36	—	—	—	KSC223J
300gF	Soft 3.5mm	J-Lead	Gold	401-1764-1-ND	.43	.40	.37	401-1764-2-ND	2,000	239.15/M	KSC243JLFG
350gF	Soft 3.5mm	Gullwing	Silver	401-1761-1-ND	.30	.29	.26	401-1761-2-ND	2,000	169.89/M	KSC241GLFS
350gF	Soft 3.5mm	J-Lead	Silver	401-1762-1-ND	.30	.29	.26	401-1762-2-ND	2,000	169.89/M	KSC241JLFS
160gF	Hard 3.5mm	Gullwing	Silver	401-1765-1-ND	.30	.29	.26	401-1765-2-ND	2,000	169.89/M	KSC321GLFS

◆ RoHS Compliant † Bulk ‡ Long Life Version † KSC5 Not Sealed

(Continued)

Digi-Reel® Most SMT cutdown parts are available on a Digi-Reel®. For Digi-Reel part number, change 1-ND to 6-ND or CT-ND to DKR-ND. See Digi-Key® Services on page 2 for additional information.

1988 (UK091) Free shipping on orders over £50! All prices are in British pound sterling and include duties. uk.digikey.com — FREEPHONE: 0-800-587-0991 • 0-800-904-7786 — FREEFAX: 0-800-587-0992 • 0-800-904-7783



Operating Force	Actuator	Termination	Contact Material	Digi-Key Part No.	Cut Tape Price Each			Digi-Key Part No.	Tape and Reel		C&K Components Part No.
					1	25	100		Qty.	Pricing	
160gF	Hard 3.5mm	J-Lead	Silver	401-1701-1-ND	.33	.30	.28	—	—	KSC321J	
160gF	Hard 3.5mm	J-Lead	Silver	401-1766-1-ND	.30	.29	.26	401-1766-2-ND	2,000	169.89/M	KSC321JLFS
160gF	Hard 3.5mm	Gulwing	Gold	401-1461-1-ND	.41	.38	.35	—	—	KSC323G	
160gF	Hard 3.5mm	Gulwing	Gold	401-1767-1-ND	.40	.37	.34	401-1767-2-ND	2,000	219.54/M	KSC323GLFG
160gF	Hard 3.5mm	J-Lead	Gold	401-1768-1-ND	.40	.37	.34	401-1768-2-ND	2,000	219.54/M	KSC323JLFG
300gF	Hard 3.5mm	Gulwing	Silver	401-1463-1-ND	.34	.32	.29	—	—	KSC341G	
300gF	Hard 3.5mm	Gulwing	Silver	401-1769-1-ND	.30	.29	.26	401-1769-2-ND	2,000	169.89/M	KSC341GLFS
300gF	Hard 3.5mm	J-Lead	Silver	401-1267-1-ND	.34	.32	.29	—	—	KSC341J	
300gF	Hard 3.5mm	J-Lead	Silver	401-1770-1-ND	.30	.29	.26	401-1770-2-ND	2,000	169.89/M	KSC341JLFS
300gF	Hard 3.5mm	Gulwing	Gold	401-1464-1-ND	.41	.39	.36	—	—	KSC343G	
300gF	Hard 3.5mm	Gulwing	Gold	401-1771-1-ND	.40	.37	.34	401-1771-2-ND	2,000	219.54/M	KSC343GLFG
300gF	Hard 3.5mm	J-Lead	Gold	401-1465-1-ND	.41	.39	.36	—	—	KSC343J	
300gF	Hard 3.5mm	J-Lead	Gold	401-1772-1-ND	.40	.37	.34	401-1772-2-ND	2,000	219.54/M	KSC343JLFG
550gF	Hard 3.5mm	Gulwing	Silver	401-1773-1-ND	.34	.32	.29	401-1773-2-ND	2,000	189.49/M	KSC351GLFS
550gF	Hard 3.5mm	J-Lead	Silver	401-1774-1-ND	.34	.32	.29	401-1774-2-ND	2,000	189.49/M	KSC351JLFS
120gF	Soft 5.2mm	J-Lead	Silver	401-1466-1-ND	.44	.41	.37	401-1466-2-ND	1,000	241.76	KSC401J50SH
120gF	Soft 5.2mm	J-Lead	Silver	401-1775-1-ND	.38	.35	.32	401-1775-2-ND	1,000	209.09	KSC401J 50SH LFS
120gF	Soft 5.2mm	J-Lead	Gold	401-1776-1-ND	.59	.55	.50	401-1776-2-ND	1,000	326.70	KSC403J 50SH LFG
140gF	Soft 5.2mm	Gulwing	Silver	401-1468-1-ND	.38	.36	.33	—	—	KSC411G70SH	
140gF	Soft 5.2mm	Gulwing	Silver	401-1777-1-ND	.37	.35	.32	401-1777-2-ND	1,000	205.17	KSC411G 70SH LFS
140gF	Soft 5.2mm	J-Lead	Silver	401-1469-1-ND	.38	.36	.33	—	—	KSC411J70SH	
140gF	Soft 5.2mm	J-Lead	Silver	401-1778-1-ND	.37	.35	.32	401-1778-2-ND	1,000	205.17	KSC411J 70SH LFS
160gF	Soft 5.2mm	Gulwing	Silver	CKN9198CT-ND	.36	.34	.31	CKN9198TR-ND	1,000	202.55	KSC422G 70SH LFS
160gF	Soft 5.2mm	Gulwing	Silver	401-1779-1-ND	.36	.33	.31	401-1779-2-ND	1,000	197.33	KSC421J 70SH LFS
160gF	Soft 5.2mm	J-Lead	Silver	401-1780-1-ND	.54	.51	.43	401-1780-2-ND	1,000	197.33	KSC421J 70SH LFS
160gF	Soft 5.2mm	J-Lead	Silver	CKN9199CT-ND	.33	.31	.29	CKN9199TR-ND	1,000	184.40	KSC422J 70SH LFS
170gF	Soft 5.2mm	Right Angle	Silver	401-1781-ND	.54	.51	.43	—	—	KSC421V30ACT2.95LFS	
300gF	Soft 5.2mm	Gulwing	Silver	401-1783-1-ND	.36	.34	.31	401-1783-2-ND	1,000	202.55	KSC441J 70SH LFS
300gF	Soft 5.2mm	J-Lead	Silver	401-1784-1-ND	.36	.34	.31	401-1784-2-ND	1,000	202.55	KSC441J 70SH LFS
300gF	Soft 5.2mm	J-Lead	Gold	401-1785-1-ND	.53	.49	.45	401-1785-2-ND	1,000	321.47	KSC443J 70SH LFG
320gF	Soft 5.2mm	J-Lead	Silver	CKN9197CT-ND	.38	.35	.32	CKN9197TR-ND	1,000	209.09	KSC442J 70SH LFS
320gF	Soft 5.2mm	Gulwing	Silver	CKN9196CT-ND	.38	.35	.32	CKN9196TR-ND	1,000	209.09	KSC442G 70SH LFS
160gF	Rocker 5.6mm	Gulwing	Silver	401-1907-1-ND	.38	.36	.33	401-1907-2-ND	1,000	214.32	KSC521G ROHS
160gF	Hard 7.7mm	Gulwing	Silver	401-1786-1-ND	.41	.38	.35	401-1786-2-ND	750	169.56	KSC621GLFS
160gF	Hard 7.7mm	J-Lead	Silver	401-1748-1-ND	.37	.35	.32	401-1748-2-ND	750	169.56	KSC621J LFS
300gF	Hard 7.7mm	Gulwing	Silver	401-1787-1-ND	.42	.39	.36	401-1787-2-ND	750	173.48	KSC641GLFS
300gF	Hard 7.7mm	J-Lead	Silver	401-1788-1-ND	.42	.39	.36	401-1788-2-ND	750	173.48	KSC641JLFS
Sound Tuneable Tact Switches — RoHS Compliant											
340gF	Soft 5.2mm	Gulwing	Silver	CKN9200CT-ND	.41	.38	.35	CKN9200TR-ND	1,000	225.06	KSC441G ST1 LFS
340gF	Soft 5.2mm	J-Lead	Silver	CKN9201CT-ND	.41	.38	.35	CKN9201TR-ND	1,000	225.06	KSC441J ST1 LFS
340gF	Soft 5.2mm	Gulwing	Silver	CKN9202CT-ND	.42	.39	.36	CKN9202TR-ND	1,000	232.32	KSC441G ST2 LFS
340gF	Soft 5.2mm	J-Lead	Silver	CKN9203CT-ND	.42	.39	.36	CKN9203TR-ND	1,000	232.32	KSC441J ST2 LFS
KSC4D Sealed Detect Switch for SMT — RoHS Compliant											
200gF	Soft 5.2mm	J-Lead	Silver	CKN9428CT-ND	.61	.57	.52	CKN9428TR-ND	1,000	337.15	KSC4D1J 50SH LFS
200gF	Soft 5.2mm	Gulwing	Silver	CKN9429CT-ND	.61	.57	.52	CKN9429TR-ND	1,000	337.15	KSC4D1G 50SH LFS

◆ RoHS Compliant † Bulk § Long Life Version ‡ KSC5 Not Sealed

RACON Short-Travel Keyswitches



RACON short-travel keyswitches offer an extremely high switching reliability while needing very little space. They can be arranged as single keys, in rows or key blocks. Specifications: • Operating Temperature: -40°C ~ 80°C • Operating Life: 1,000,000 cycles • Maximum Rated Voltage: 42V • Maximum Rated Current: 100mA

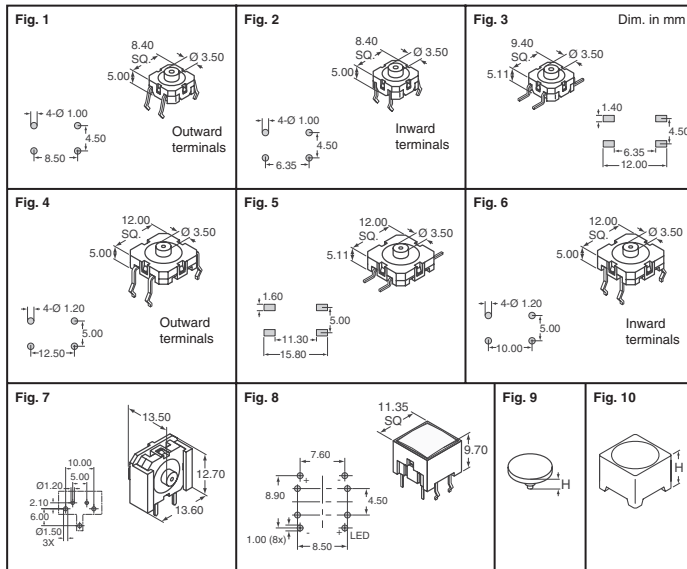


Fig.	Description	Digi-Key Part No.	Price Each			C&K Part No.
			1	25	100	
Switches						
1	RACON 8, 330gF, Outward Terminals	CKN9361-ND	1.94	1.56	1.23	1.14100.5010000
2	RACON 8, 330gF Inward Terminals	CKN9362-ND	2.05	1.65	1.31	1.14100.5020000
3	RACON 8, 330gF, Surface Mount	CKN9363CT-ND†	1.97	1.82	1.67	1.14100.5030000
4	RACON 8, 330gF, Surface Mount	CKN9363TR-ND‡	1088.27/1,000			1.14100.5030000
4	RACON 12, 360gF, Outward Terminals	CKN9364-ND	2.01	1.61	1.28	1.14001.5010000
5	RACON 12, 360gF Inward Terminals	CKN9365-ND	2.01	1.61	1.28	1.14001.5020000
6	RACON 12, 360gF, Surface Mount	CKN9366CT-ND†	2.16	1.99	1.83	1.14001.5030000
6	RACON 12, 360gF, Surface Mount	CKN9366TR-ND‡	894.83/750			1.14001.5030000
7	RACON 12V, 360gF, PCB Mount	CKN9367-ND	2.87	2.31	1.83	1.14001.5050000
8	RACON 121, 330gF, Red LED	CKN9368-ND	11.70	9.36	7.42	1.14001.5510000
8	RACON 121, 330gF, Green LED	CKN9205-ND	11.70	9.36	7.42	1.14001.5520000
8	RACON 121, 330gF, Yellow LED	CKN9206-ND	11.70	9.36	7.42	1.14001.5530000
Accessories						
9	Plunger, H=6.5mm x 8mm dia.	CKN9369-ND	.35	.28	.22	5.46167.3010209
	Plunger, H=7mm x 8mm dia.	CKN9207-ND	.35	.28	.22	5.46167.090209
	Plunger, H=6.5mm x 11.5mm dia.	CKN9208-ND	.35	.28	.22	5.46167.2270209
	Plunger, H=7mm x 11.5mm dia.	CKN9370-ND	.35	.28	.22	5.46167.0420209
	Plunger, H=7mm x 14.5 dia.	CKN9209-ND	.35	.28	.22	5.46168.0420209
	Plunger, H=9.7mm x 14.5mm dia.	CKN9371-ND	.35	.28	.22	5.46168.0430209
10	Plunger, H=7mm x 19mm dia.	CKN9210-ND	.23	.19	.15	5.46169.0420209
	Plunger, H=12.5mm x 19mm dia.	CKN9372-ND	.35	.28	.22	5.46169.0440209
	Plunger, H=7mm x 14mm square	CKN9211-ND	.35	.28	.22	5.46001.0570209
	Plunger, H=12.5mm x 14mm square	CKN9373-ND	.35	.28	.22	5.46001.0590209

† Cut Tape ‡ Tape and Reel

Digi-Reel® Most SMT cutdown parts are available on a Digi-Reel®. For Digi-Reel part number, change 1-ND to 6-ND or CT-ND to DKR-ND. See Digi-Key® Services on page 2 for additional information.

Free shipping on orders over £50! All prices are in British pound sterling and include duties.

uk.digikey.com — FREEPHONE: 0-800-587-0991 • 0-800-904-7786 — FREEFAX: 0-800-587-0992 • 0-800-904-7783

(UK091) 1989