

### W51 Series Rocker / Breaker Combination

**Features:**

- Compact, trip-free, rocker-actuated design
- Provides circuit protection and power switching in a single unit
- Snaps into the same cutout as many common power switches

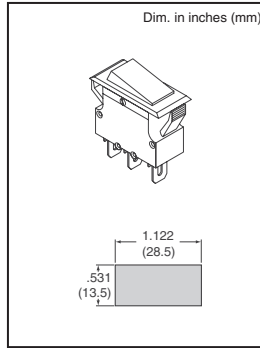
**Electrical Data @ 25°C:**

- Calibration: Will continuously carry 100% of rating. May trip between 101% and 134%, but must trip at 135% of rating within one hour at 25°C
- Maximum Operating Voltages: 50VDC; 125 or 250VAC 50/60Hz
- Reset Time: 60 Seconds

**Mechanical/Environmental Data:**

- Operating Temperature Range: 0°C - 60°C
- Termination: .250" quick connects
- Illumination Voltage: 120 or 230VAC

**Agency Approvals:** UL 1077 Recognized as Supplementary Protectors, File E69543, for Canada and the United States



Description	Current (A)	Digi-Key Part No.	Price Each			Potter & Brumfield Part No.
			1	25	50	
Black Body, Non-Illuminated Black Rocker	5.0	PB1036-ND	2.39	2.09	1.89	W51-A152A1-5
	10	PB1033-ND	2.39	2.09	1.89	W51-A152A1-10
	15	PB1034-ND	2.39	2.09	1.89	W51-A152A1-15
	20	PB1035-ND	2.39	2.09	1.89	W51-A152A1-20
Black Body, 120V Illum. Red Rocker	5.0	PB528-ND	2.49	2.19	1.98	W51-A121B1-5
	10	PB529-ND	2.49	2.19	1.98	W51-A121B1-10
	15	PB530-ND	2.49	2.19	1.98	W51-A121B1-15
	20	PB531-ND	2.49	2.19	1.98	W51-A121B1-20
Black Body, 230V Illum. Red Rocker	5.0	PB652-ND	2.49	2.19	1.98	W51-A122B1-5
	7.0	PB654-ND	3.36	2.95	2.67	W51-A122B1-7
	8.0	PB655-ND	2.49	2.19	1.98	W51-A122B1-8
	10	PB677-ND	2.49	2.19	1.98	W51-A122B1-10
	15	PB678-ND	2.49	2.19	1.98	W51-A122B1-15
	20	PB653-ND	2.49	2.19	1.98	W51-A122B1-20

RoHS Compliant

### ATR11 Thermal Circuit Breakers



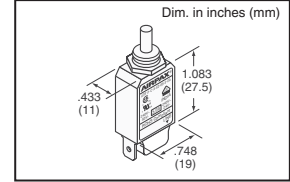
Thermal circuit breakers from Sensata Technologies, AIRPAX® brand features a trip mechanism of the circuit protector is designed to open the contacts in the event of a current flow in excess of the rated current and in accordance with the time/current characteristics of the device. A bimetal strip deflects and releases the latch mechanism when heated by an overload. The strip has the advantage of being immune to high inrush currents and line transients. **Includes mounting hardware.**

**Applications:**

- Power Strips
- Single-Phase Motors
- Transformers
- Solenoids
- UPS

**Specifications:**

- Rated Voltage: 240 VAC, 50/60HZ
- Operating Temperature: 60°C Maximum Ambient
- Dielectric Strength: 1.5 KV for 1 minute (per EN60934)
- Operational Life: 1,000 Cycles @ 2x1n



Current (A)	Digi-Key Part No.	Price Each			Sensata Part No.
		1	10	25	
0.5	723-1119-ND	5.04	4.85	4.66	ATR11-C-X-63-BB-0.5A
1	723-1120-ND	5.04	4.85	4.66	ATR11-C-X-63-BB-1.0A
2	723-1121-ND	5.04	4.85	4.66	ATR11-C-X-63-BB-2.0A
3	723-1122-ND	5.04	4.85	4.66	ATR11-C-X-63BB-3.0A
4	723-1123-ND	5.04	4.85	4.66	ATR11-C-X-63-BB-4.0A
5	723-1124-ND	5.04	4.85	4.66	ATR11-C-X-63-BB-5.0A
6	723-1125-ND	5.04	4.85	4.66	ATR11-C-X-63-BB-6.0A
7	723-1126-ND	5.04	4.85	4.66	ATR11-C-X-63-BB-7.0A
8	723-1127-ND	5.04	4.85	4.66	ATR11-C-X-63-BB-8.0A
10	723-1128-ND	5.04	4.85	4.66	ATR11-C-Y-63-BB-10.0A
12	723-1129-ND	5.04	4.85	4.66	ATR11-C-X-Y-63-BB-12.0A
15	723-1130-ND	5.04	4.85	4.66	ATR11-C-X-63-BB-15.0A
0.5	723-1131-ND	5.04	4.85	4.66	ATR11-D-X-63-WB-0.5A
1	723-1132-ND	5.04	4.85	4.66	ATR11-D-X-63-WB-1.0A
2	723-1133-ND	5.04	4.85	4.66	ATR11-D-X-63-WB-2.0A
3	723-1134-ND	5.04	4.85	4.66	ATR11-D-X-63-WB-3.0A
4	723-1135-ND	5.04	4.85	4.66	ATR11-D-X-63-WB-4.0A
5	723-1136-ND	5.04	4.85	4.66	ATR11-D-X-63-WB-5.0A
6	723-1137-ND	5.04	4.85	4.66	ATR11-D-X-63-WB-6.0A
7	723-1138-ND	5.04	4.85	4.66	ATR11-D-X-63-WB-7.0A
8	723-1139-ND	5.04	4.85	4.66	ATR11-D-X-63-WB-8.0A
10	723-1140-ND	5.04	4.85	4.66	ATR11-D-Y-63-WB-10.0A
12	723-1141-ND	5.04	4.85	4.66	ATR11-D-Y-63-WB-12.0A
15	723-1142-ND	5.04	4.85	4.66	ATR11-D-X-63-WB-15.0A

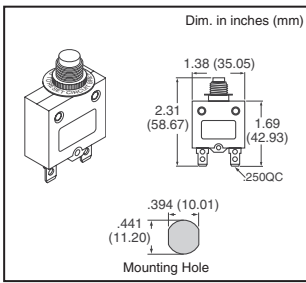


### Thermal Circuit Breakers

The CLB Series is a compact, single pole, push-to-reset thermal circuit breaker designed to protect equipment.

**Specifications:**

- Comes with push-to-reset disk
- Dielectric Strength: 1500 VAC/ 1 minute
- Interrupting capacity: 1000 amps
- Resettable overload capacity: 10 x rated current
- Insulation Resistance: 100MΩ
- Operating Temperature: -10°C - 60°C
- Voltage drop: <0.25V
- Mounting hardware included



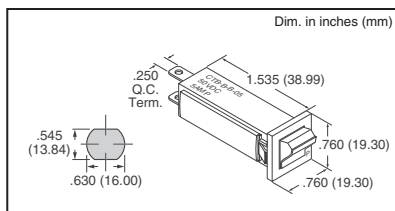
Current (A)	Digi-Key Part No.	Price Each			Carling Technologies Part No.
		1	10	25	
10	432-1053-ND	1.66	1.46	1.25	CLB-103-11-B-3-A-B-A

### Panel Mount Rocker Circuit Breakers



**Specifications:**

- Rating: 125-250VAC, 50VDC
- Interrupting Capacity: 1000 amps
- Insulation Resistance: 100MΩ



Current (A)	Digi-Key Part No.	Price Each			Carling Technologies Part No.
		1	10	25	
9.0	432-1129-ND	1.42	1.24	1.06	CTB-B-B-09

### ATR20 Thermal Circuit Breakers



Sensata Technologies, AIRPAX® brand of ATR20 series circuit protector is a single pole, thermally operated, snap-action overload protector, with a manual, push-to-reset mechanism providing reliable 'trip-free' operation on overloads and short-circuits within the maximum capacity specified.

**Specifications:**

- Rated Voltage: 125/250 VAC, 50/60 Hz, 50VDC
- Actuation: Reset button, type "R"
- Dielectric Strength: 1500VAC for 1 minute
- Housing Material: Thermoplastic/Thermoset
- Contact Material: Silver Alloy
- Terminal Material: Copper Alloy
- Applicable Approvals: UL1077, CSA 22.2 No. 235-04, TUV EN 60934

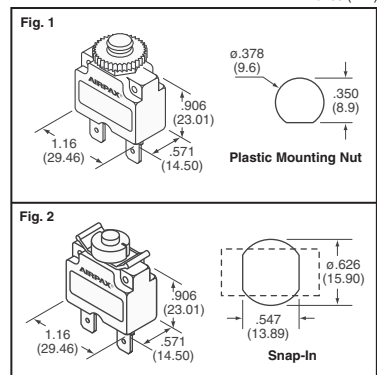


Fig.	Current (A)	Digi-Key Part No.	Price Each			Sensata Part No.
			1	10	25	
1	5	723-1143-ND	5.04	4.85	4.66	ATR20-A-63S-WB2-B-5.0A-2
	8	723-1144-ND	5.04	4.85	4.66	ATR20-A-63S-WB2-B-8.0A-2
	10	723-1145-ND	5.04	4.85	4.66	ATR20-A-63S-WB2-B-10.0A-2
	12	723-1146-ND	5.04	4.85	4.66	ATR20-A-63S-WB2-B-12.0A-2
	15	723-1147-ND	5.95	5.72	5.49	ATR20-A-63S-WB2-B-15.0A-2
2	20	723-1148-ND	5.04	4.85	4.66	ATR20-A-63S-WB2-B-20.0A-2
	5	723-1149-ND	3.86	3.66	3.32	ATR20-W-63S-B1-N-5.0A-0
	8	723-1150-ND	5.04	4.85	4.66	ATR20-W-63S-B1-N-8.0A-0
	10	723-1151-ND	3.86	3.66	3.32	ATR20-W-63S-B1-N-10.0A-0
	12	723-1152-ND	5.04	4.85	4.66	ATR20-W-63S-B1-N-12.0A-0
	15	723-1153-ND	3.86	3.66	3.32	ATR20-W-63S-B1-N-15.0A-0
	20	723-1154-ND	3.86	3.66	3.32	ATR20-W-63S-B1-N-20.0A-0