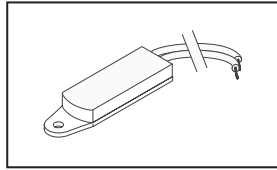


Control Thermostats

These thermostats were developed as a small, inexpensive, high performance bimetal thermostat which can be used as a controller. These thermostats use a sharp semipermanent, snap spring with a flat non-distorting bimetal.



ADVANTAGES:

- High precision • Snap action • Narrow differential • Water resistant • Extreme long life

APPLICATIONS:

- Heating appliance • Water bed heaters • Blanket heaters • Antifreeze sensors • Medical applications

Switch Temp. (°C)	Digi-Key Part No.	Price Each				Cantherm Part No.
		1	10	50	100	
Normally Closed						
15	317-1389-ND	68.24	59.72	39.76	34.13	MQT8K015XB
20	317-1388-ND	68.24	59.72	39.76	34.13	MQT8K020XB
37	317-1390-ND	68.24	59.72	39.76	34.13	MQT8K037XB
Normally Open						
0	317-1386-ND	68.24	59.72	39.76	34.13	MQT8K000XBARB
5	317-1387-ND	68.24	59.72	39.76	34.13	MQT8K005XBARB
20	317-1393-ND	68.24	59.72	39.76	34.13	MQT8K020YB
25	317-1391-ND	68.24	59.72	39.76	34.13	MQT8K025YB
35	317-1392-ND	68.24	59.72	39.76	34.13	MQT8K035YB

TS3 Series Moxie[®] Thermal Sensors

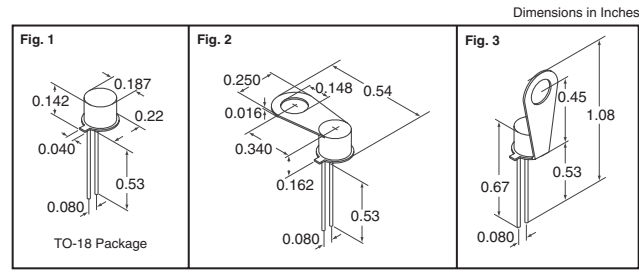
Moxies are variable resistance NTC thermal sensors having a highly specific "transition region". Within this transition region the devices exhibit a coefficient from -40%/°C - -200%/°C. Below the transition region they exhibit a linear "thermistor" characteristic of -2 - -4%/°C.

Technical Data: • Maximum Allowable Operating Temperature: 120°C • Minimum Allowable Operating Temperature: -40°C • Maximum Allowable Operating Voltage @ 25°C: 125VAC • Maximum Allowable Operating Power (Any Temperature): Normal use less or equal to 0.5mWatt • Insulation Strength (Between Leads and Cap): 600VDC • Conductors: Gold plated leads

Note: Please see data sheet for additional electrical characteristics.

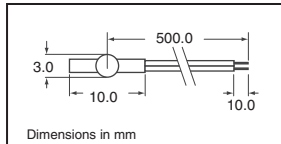
TYPICAL RESPONSE CHARACTERISTICS				
Temp. Coefficient (%/°C)	TS3-57	TS3-65	TS3-75	TS3-85
Pre-Transition	-2.0	-4.0	-3.5	-3.0
Transition	-100	-200	-70	-40
Post-Transition	-0.25	-0.5	-1.0	-1.5

Fig.	Switching Temperature	Digi-Key Part No.	Price Each			Cantherm Part No.
			1	10	50	
1	57°C	317-1098-ND	5.43	4.76	3.20	TS3-57
2	57°C	317-1099-ND	5.98	5.24	3.49	TS3-57B3
3	57°C	317-1100-ND	5.98	5.24	3.49	TS3-57C3
1	65°C	317-1101-ND	5.43	4.76	3.20	TS3-65
2	65°C	317-1102-ND	5.98	5.24	3.49	TS3-65B3
3	65°C	317-1103-ND	5.98	5.24	3.49	TS3-65C3
1	75°C	317-1104-ND	5.43	4.76	3.20	TS3-75
2	75°C	317-1105-ND	5.98	5.24	3.49	TS3-75B3
3	75°C	317-1106-ND	5.98	5.24	3.49	TS3-75C3
1	85°C	317-1107-ND	7.47	6.79	6.40	TS3-85
2	85°C	317-1108-ND	8.23	7.48	6.96	TS3-85B3
3	85°C	317-1109-ND	8.23	7.48	6.96	TS3-85C3



YGM Series PTC Thermistors

PTC thermistors act as thermal protection for electrical machines, and are well known particularly as motor-protectors. PTC thermistors have a non-linear resistance/temperature response, and at a specified temperature the resistance changes rapidly to a very high value.



Technical Data:

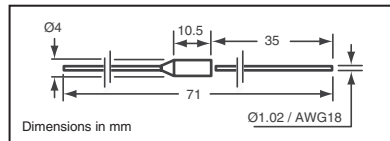
- Maximum Allowable Operating Temperature: 200°C
- Maximum Allowable Operating Voltage at 25°C: U maximum 25V
- Maximum Allowable Power Dissipation at 25°C: 690mW
- Insulation strength (between leads and outer insulation) also for threaded sensor: 2.5kV

Response Temperature	Wire Color Code	Digi-Key Part No.	Price Each			Cantherm Part No.
			1	10	50	
80°C	White - White	317-1110-ND	4.85	4.25	2.83	YGM1-C508
90°C	Green - Green	317-1111-ND	4.85	4.25	2.83	YGM1-C509
100°C	Red - Red	317-1112-ND	4.85	4.25	2.83	YGM1-C510
110°C	Brown - Brown	317-1113-ND	4.85	4.25	2.83	YGM1-C511
120°C	Grey - Grey	317-1114-ND	4.85	4.25	2.83	YGM1-C512
130°C	Blue - Blue	317-1115-ND	4.85	4.25	2.83	YGM1-C513
140°C	White - Blue	317-1116-ND	4.85	4.25	2.83	YGM1-C514
145°C	White - Black	317-1117-ND	4.85	4.25	2.83	YGM1-C545
150°C	Black - Black	317-1118-ND	4.85	4.25	2.83	YGM1-C515
155°C	Blue - Black	317-1119-ND	4.85	4.25	2.83	YGM1-C655
160°C	Blue - Red	317-1120-ND	4.85	4.25	2.83	YGM1-C516
170°C	White - Green	317-1121-ND	4.85	4.25	2.83	YGM1-C517
180°C	Red - White	317-1122-ND	4.85	4.25	2.83	YGM1-C518

Thermal Fuses

Description:

Thermal fuses are components which will automatically open a circuit and switch off an appliance, if the permissible operating temperature of the appliance is exceeded.

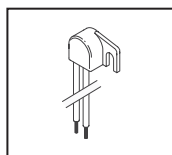


Temperature T _F	Temperature T _H	Digi-Key Part No.	Price Each			Cantherm Part No.
			1	10	50	
66°C	42°C	317-1123-ND	.71	.63	.42	SDJ1-DF066S
72°C	50°C	317-1124-ND	.71	.63	.42	SDJ1-DF072S
77°C	55°C	317-1125-ND	.71	.63	.42	SDJ1-DF077S
84°C	60°C	317-1126-ND	.71	.63	.42	SDJ1-DF084S
91°C	67°C	317-1127-ND	.71	.63	.42	SDJ1-DF091S

Temperature T _F	Temperature T _H	Digi-Key Part No.	Price Each			Cantherm Part No.
			1	10	50	
98°C	76°C	317-1128-ND	.71	.63	.42	SDJ1-DF098S
100°C	78°C	317-1129-ND	.71	.63	.42	SDJ1-DF100S
104°C	80°C	317-1130-ND	.71	.63	.42	SDJ1-DF104S
119°C	95°C	317-1132-ND	.71	.63	.42	SDJ1-DF119S
128°C	106°C	317-1133-ND	.71	.63	.42	SDJ1-DF128S
141°C	117°C	317-1134-ND	.71	.63	.42	SDJ1-DF141S
144°C	120°C	317-1135-ND	.71	.63	.42	SDJ1-DF144S
152°C	128°C	317-1136-ND	.71	.63	.42	SDJ1-DF152S
170°C	146°C	317-1137-ND	.71	.63	.42	SDJ1-DF170S
192°C	162°C	317-1139-ND	.71	.63	.42	SDJ1-DF192S
228°C	193°C	317-1141-ND	.71	.63	.42	SDJ1-DF228S
240°C	200°C	317-1142-ND	.71	.63	.42	SDJ1-DF240S

T_F = Functioning Temperature T_H = Holding Temperature

Thermal Protectors



Switching Temperature	Digi-Key Part No.	Price Each			Cantherm Part No.
		1	10	50	
60°C	317-1395-ND	5.26	4.60	3.07	B1206025AEDA0GE
70°C	317-1396-ND	5.26	4.60	3.07	B1207025AEDA0GE
75°C	317-1397-ND	5.26	4.60	3.07	B1207525AEDA0GE
85°C	317-1398-ND	5.26	4.60	3.07	B1208525AEDA0GE
95°C	317-1399-ND	5.26	4.60	3.07	B1209525AEDA0GE

Switching Temperature	Digi-Key Part No.	Price Each			Cantherm Part No.
		1	10	50	
105°C	317-1400-ND	5.26	4.60	3.07	B1210525AEDA0GE
115°C	317-1401-ND	5.26	4.60	3.07	B1211525AEDA0GE
125°C	317-1402-ND	5.26	4.60	3.07	B1212525AEDA0GE
135°C	317-1403-ND	5.26	4.60	3.07	B1213525AEDA0GE
150°C	317-1404-ND	5.26	4.60	3.07	B1215025AEDA0GE
160°C	317-1405-ND	5.26	4.60	3.07	B1216025AEDA0GE

Free shipping on orders over £50! All prices are in British pound sterling and include duties.

uk.digikey.com — FREEPHONE: 0-800-587-0991 • 0-800-904-7786 — FREEFAX: 0-800-587-0992 • 0-800-904-7783

(UK091) 1965

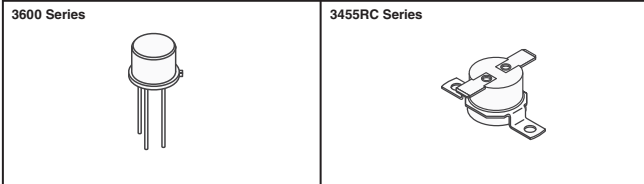
Honeywell Thermal Switches

The **3600 Series** consists of a single pole, single throw, bimetal snap-action switch available to open or close on temperature rise. These hermetically-sealed products have gold contacts for logic level switching. They have no power budget and are wave solderable.

- Specifications:**
- Reset Type: Automatic
 - Operating Temperature Range: 40°C - 120°C
 - Housing Material: Metal T0-5 package

The **3455RC Series** thermostats are often suitable for applications such as copy machines, power supplies, telecommunications and ovens.

- Specifications:**
- Operating Temperature Range: 0°C - 260°C
 - Dielectric Strength: MIL-STD-202, Method 301; 2000Vac 60 Hz - Terminal to Case

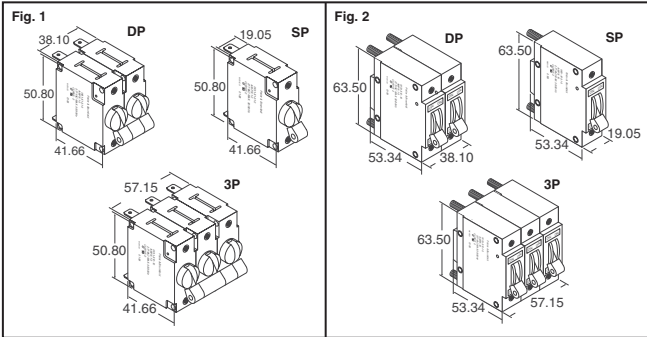


Switching Temp. (°C)	Contact Operation	Digi-Key Part No.	Price Each			Honeywell Sensing Part No.
		1		10	50	
3600 TO-5 Series						
50	SPST-NC	480-3221-ND	28.21	23.01	20.79	3600 050010001
60	SPST-NC	480-3222-ND	28.21	23.01	20.79	3600 060010001
65	SPST-NC	480-3223-ND	28.21	23.01	20.79	3600 065010001
70	SPST-NC	480-3224-ND	28.21	23.01	20.79	3600 070010001
85	SPST-NC	480-3225-ND	28.21	23.01	20.79	3600 085010001
90	SPST-NC	480-3226-ND	28.21	23.01	20.79	3600 090010001
100	SPST-NC	480-3227-ND	28.21	23.01	20.79	3600 100010001
3601 TO-5 Series						
40	SPST-NO	480-3228-ND	28.21	23.01	20.79	3601-040010001
45	SPST-NO	480-3229-ND	28.21	23.01	20.79	3601-045010001
50	SPST-NO	480-3230-ND	28.21	23.01	20.79	3601-050010001
3455RC Series						
29.4	SPST-NC	480-3231-ND	7.55	6.16	5.48	3455RC 01000222
35	SPST-NC	480-3232-ND	7.55	6.16	5.48	3455RC 01000223
40.6	SPST-NC	480-3233-ND	7.55	6.16	5.48	3455RC 01000224
46.1	SPST-NC	480-3234-ND	7.55	6.16	5.48	3455RC 01000225
51.7	SPST-NC	480-3235-ND	7.55	6.16	5.48	3455RC 01000226
57.2	SPST-NC	480-3236-ND	7.55	6.16	5.48	3455RC 01000227
62.8	SPST-NC	480-3237-ND	7.55	6.16	5.48	3455RC 01000228
68.3	SPST-NC	480-3238-ND	7.55	6.16	5.48	3455RC 01000229
73.9	SPST-NC	480-3239-ND	7.55	6.16	5.48	3455RC 01000230
79.4	SPST-NC	480-3240-ND	7.55	6.16	5.48	3455RC 01000231
85	SPST-NC	480-3241-ND	7.55	6.16	5.48	3455RC 01000232
90.6	SPST-NC	480-3242-ND	7.55	6.16	5.48	3455RC 01000233
21.1	SPST-NO	480-3243-ND	7.55	6.16	5.48	3455RC 01000243
32.2	SPST-NO	480-3244-ND	7.55	6.16	5.48	3455RC 01000244
43.3	SPST-NO	480-3245-ND	7.55	6.16	5.48	3455RC 01000245
54.4	SPST-NO	480-3246-ND	7.55	6.16	5.48	3455RC 01000246

Tyco Electronics

Authorized Distributor

P&B Magnetic Hydraulic Circuit Breakers



The W6/W9 series are designed for the international market. Magnetic hydraulic breakers are a proven design where the hydraulic delay provides tripping that is highly tolerant to changes in ambient temperatures. W9 units have ON/OFF molded into the area at the base of the toggle.

- FEATURES:**
- **Calibration:** Breakers will hold 100% of rated current. Breakers may trip between 101% and 124% of rated load. Breakers must trip at 125% of rated load and above.
 - **Operating Temperature:** -40°C - 85°C

Current (A)	Description	Digi-Key Part No.	Price Each			Potter & Brumfield Part No.
		1		25	50	
Fig. 1 — White Toggle Type Actuator						
5	SP, Instantaneous	PB426-ND	14.25	12.48	11.29	W67-X2Q10-5
10	SP, Std Delay, VDE	PB427-ND	14.25	12.48	11.29	W67-X2Q52-10
10	SP, Std Delay	PB592-ND	14.25	12.48	11.29	W67-X2Q12-10
15	SP, Std Delay	PB428-ND	14.25	12.48	11.29	W67-X2Q12-15
20	SP, Std Delay	PB593-ND	14.25	12.48	11.29	W67-X2Q12-20
10	DP, Std Delay	PB429-ND	33.07	28.94	26.19	W68-X2Q12-10
15	DP, Std Delay	PB430-ND	33.07	28.94	26.19	W68-X2Q12-15
20	DP, Std Delay	PB431-ND	33.07	28.94	26.19	W68-X2Q12-20
30	DP, Std Delay	PB594-ND	33.07	28.94	26.19	W68-X2Q12-30
10	3P, Std Delay	PB432-ND	44.94	39.32	35.58	W69-X2Q12-10
Fig. 2 — Black Toggle Type Actuator						
10	SP, Std Delay	PB433-ND	15.86	13.88	12.56	W91-X112-10
20	SP, Std Delay	PB434-ND	15.86	13.88	12.56	W91-X112-20
1	DP, Std Delay	PB435-ND	36.75	32.16	29.10	W92-X112-1
10	DP, Std Delay	PB595-ND	33.05	28.93	26.17	W92-X112-10
15	DP, Std Delay	PB436-ND	33.05	28.93	26.17	W92-X112-15
20	DP, Std Delay	PB437-ND	33.05	28.93	26.17	W92-X112-20
30	DP, Std Delay	PB438-ND	33.05	28.93	26.17	W92-X112-30
50	DP, Std Delay	PB439-ND	36.75	32.16	29.10	W92-X112-50
30	3P, Std Delay	PB596-ND	60.91	53.30	48.23	W93-X112-30
50	3P, Std Delay	PB440-ND	60.91	53.30	48.23	W93-X112-50
Kit — RoHS Compliant						
Hardware Toggle Kit for DP		PB817-ND	1.08	.95	.86	96-500A

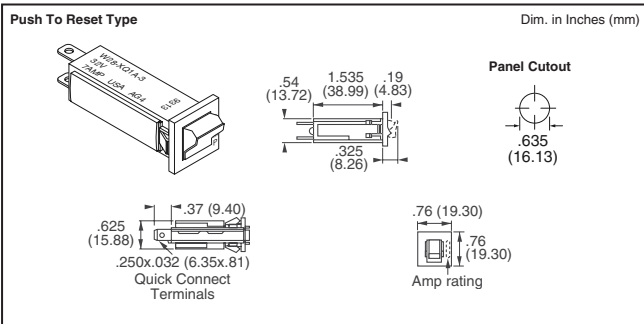
♦ RoHS Compliant

P&B Thermal Circuit Breakers

W28 Series

Replaces slow blow cartridge type fuses. Labor saving snap-in mounting. Button extends for visual trip indication on the push to reset versions. All breakers are black body with white rate marking. Panel thickness of .032" - .062" (.81mm - 1.57mm) except where noted. Optional push-on lockwasher for panel thickness greater than .105" (2.67mm).

- Specifications:**
- Maximum operating voltage: 32VDC; 250VAC
 - Will continuously carry 100% of rated current
 - **.25 - 2 Amp Model** may trip between 101% and 174% of rating within 1 hour, must trip at 175% of rating within 1 hour at 25°C
 - **3 - 20 Amp Model** may trip between 101% and 134% of rating within 1 hour, must trip at 135% of rating within 1 hour at 25°C



Current (A)	Digi-Key Part No.	Price Each			Potter & Brumfield Part No.	
		1	25	50		
Push To Reset Type						
0.25	PB180-ND	3.82	3.34	3.03	W28-XQ1A-0.25	
0.50	PB181-ND	3.82	3.34	3.03	W28-XQ1A-0.50	
0.75	PB1022-ND	3.82	3.34	3.03	W28-XQ1A-0.75	
1.0	PB182-ND	3.82	3.34	3.03	W28-XQ1A-1	
1.0	PB1025-ND	3.82	3.34	3.03	W28-XQ1A-1	
2.0	PB183-ND	3.82	3.34	3.03	W28-XQ1A-2	
3.0	PB184-ND	2.13	1.86	1.69	W28-XQ1A-3	
3.0	PB1028-ND	2.13	1.86	1.69	W28-XQ1A-3	
4.0	PB185-ND	2.13	1.86	1.69	W28-XQ1A-4	
5.0	PB186-ND	2.13	1.86	1.69	W28-XQ1A-5	
5.0	PB1029-ND	2.13	1.86	1.69	W28-XQ1A-5	
6.0	PB187-ND	2.13	1.86	1.69	W28-XQ1A-6	
7.0	PB188-ND	2.13	1.86	1.69	W28-XQ1A-7	
8.0	PB189-ND	2.13	1.86	1.69	W28-XQ1A-8	
8.0	PB1030-ND	2.13	1.86	1.69	W28-XQ1A-8	
9.0	PB1024-ND	2.13	1.86	1.69	W28-XQ1A-9	
10	PB190-ND	2.13	1.86	1.69	W28-XQ1A-10	
10	PB239-ND	2.13	1.86	1.69	W28-XQ1A-10	
12	PB191-ND	2.13	1.86	1.69	W28-XQ1A-12	
12	PB240-ND	2.13	1.86	1.69	W28-XQ1A-12	
15	PB192-ND	2.13	1.86	1.69	W28-XQ1A-15	
15	PB1026-ND	2.13	1.86	1.69	W28-XQ1A-15	
16	PB1023-ND	2.13	1.86	1.69	W28-XQ1A-16	
20	PB425-ND	2.13	1.86	1.69	W28-XQ1A-20	
20	PB1027-ND	2.13	1.86	1.69	W28-XQ1A-20	
Internal Lock Washer						
—		PB241-ND	.30	.26	.24	55-025B

♦ RoHS Compliant † Will mount in .075" - .105" (1.91mm - 2.67mm) thick panel, all others have std. panel thickness of .032" - .062" (.81mm - 1.57mm) * Optional Push-On Lock Washer for panels greater than .105" (2.67mm) thickness.

(Continued)

Free shipping on orders over £50! All prices are in British pound sterling and include duties.

1966 (UK091) uk.digikey.com — FREEPHONE: 0-800-587-0991 • 0-800-904-7786 — FREEFAX: 0-800-587-0992 • 0-800-904-7783