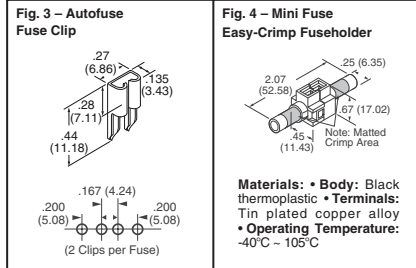
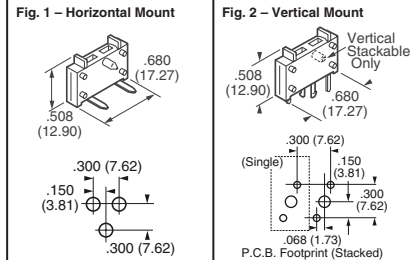


Automotive Fuseholders



Mini Fuse PC Board Fuseholder Specifications:

- **Terminals:** Copper alloy, tin-plated
- **Body:** Black thermoplastic (UL 94V0)
- **Electrical:** Recognized under the Components Program of Underwriters Laboratory for 15 Amperes and Certified by CSA for 10 Amperes. Three fuseholders can be mounted side by side (stacked) and operated at rated current. Contact factory for applications where more than three fuseholders will be stacked.
- **Voltage:** 32 VDC
- **Temperature Range:** -40°C - 85°C
- **PC Board Compatibility:** Designed for use with standard .062" (1.57mm) circuit board.

Fig.	Description	Digi-Key Part No.	1	10	100
1	Horizontal Mini Holder	F064-ND	1.82	1.69	1.27
1	Single or End Cap Mini Holder	F065-ND	1.80	1.67	1.25
2	Stackable Mini Holder	F066-ND	1.80	1.67	1.25
3	ATO Fuse Clip	F067-ND	.23	.21	.16
4	In-line Mini Holder	F068-ND*	1.11	1.03	.77

* 20 Amperes maximum rating, terminals accept #16 - 22AWG

Maxifuse Block:

- Rated to 60 Amperes at 32V
- Interlocking block feature
- Built-in mounting bracket

Description	Digi-Key Part No.	1	100	250
Maxi Fuse Block	F1085-ND	17.77	12.31	10.94

In-Line Fuseholders:

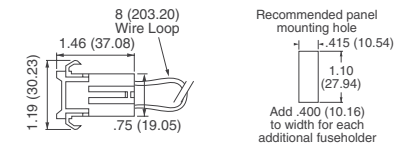
- Rated at 32V
- Protective cover included

Dim.	Fuse Type - Inch (mm)		
	MINI	ATO	MAXI
A	.52 (13.21)	.97 (24.64)	1.35 (34.29)
B	.97 (24.64)	1.00 (25.40)	3.36 (85.34)
C	4.0 (101.60)	4.0 (101.60)	6.0 (152.40)
D	.60 (15.24)	.67 (17.02)	1.39 (35.31)
E	.41 (10.41)	.43 (10.92)	1.12 (28.45)

Description	AWG Wire	Amp Rtg. (max.)	Digi-Key Part No.	1	100	250
In-line Mini Holder	14	20	F1057-ND	3.11	2.16	1.92
In-line Mini Holder	12	30	F1058-ND	3.32	2.30	2.04
In-line Maxi Holder	6	60	F1059-ND	17.48	12.11	10.76
In-line ATO Holder	16	20	F1086-ND	2.83	1.97	1.75
In-line ATO Holder	12	30	F1087-ND	3.27	2.27	2.02

Panel Mount ATO Fuseholder:

- Assembled with 8" (203.2mm) wire loop, no fuse
- #14 wire/terminals rated to 20A
- #10 wire/terminals rated to 30A
- Snap mounting to panel
- Fuseholders interlock for multiple mounting.



Description	AWG Wire	Amp Rtg. (max.)	Digi-Key Part No.	1	100	250
Panel Mount Holder	14	20	F1088-ND	1.36	.95	.84
Panel Mount Holder	10	30	F1089-ND	1.97	1.37	1.22

In-Line Fuseholder Bayonet Knob

Universal 150145 fuseholder supplied with 15" loop of #14AWG red vinyl wire and 3 springs to accommodate all SFE size and 3AG fuses. 20 Amperes, 32V rated.

F049-ND (Littelfuse # 150145) 2.67/1; 24.68/10; 185.08/100

The 150079 fuseholder is supplied with 19" loop of #14AWG red vinyl insulated wire intended for use with 3AG fuses up to 20 Amperes.

F1467-ND (Littelfuse # 150079) 2.56/1; 23.67/10; 177.57/100

2AG or 5 x 20mm In-Line Fuse-holder Screw Together

Specifications:
Use with 2AG and 5 x 20mm fuses. Maximum current ratings are 5 Amperes at 32V for 2AG, and 10 Amperes at 32V for the 5 x 20mm size fuses.
Wire: 16 AWG; color red. Molded parts: Black thermoplastic

F1466-ND (Littelfuse # 150274) 2.09/1; 19.30/10; 144.73/100

Universal In-Line Fuseholder Twist-Lock

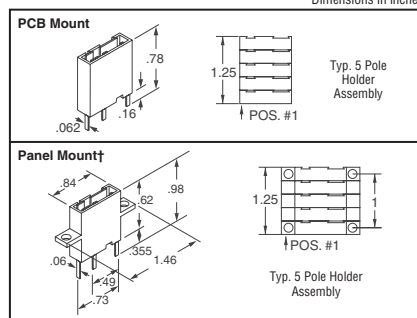
Supplied with 8" (20.32cm) loop of #14 AWG red vinyl insulated wire and two springs.

Electrical: Intended for use at 32V or less with fuses rated up to 20 Amperes when the proper spring is installed for fuse size.

Molded Parts: Black thermoplastic (UL 94V2). Body halves have a .14" (3.56mm) diameter hole for insulated wire.
Ambient Temperature: -40° - 75°C.

F062-ND (Littelfuse #155100) 2.02/1; 18.60/10; 139.50/100

Gangable Alarm Indicating Fuseholder



Specifications: • **Electrical:** Rated at 15 Amperes for any voltage up to 125VAC, 125 VDC • **Molded Bodies:** Black, Thermoplastic (UL 94V0) • **Terminals:** Alarm Terminal - Brass, tin-plated, wire-wrap type; Fuse Terminal - Beryllium copper, tin-plated

No. of Poles	Digi-Key Part No. PCB Mt.	Digi-Key Part No. Panel Mt.	Price Each		
			1	10	100
1	F1400-ND	F1420-ND	1.58	1.47	1.10
2	F1401-ND	F1421-ND	3.17	2.93	2.20

No. of Poles	Digi-Key Part No. PCB Mt.	Digi-Key Part No. Panel Mt.	Price Each		
			1	10	100
4	F1403-ND	F1423-ND	6.33	5.85	4.39
5	F1404-ND	F1424-ND	7.91	7.31	5.49
6	F1405-ND	F1425-ND	9.50	—	—
8	F1407-ND	F1427-ND	12.66	11.69	8.77
9	F1408-ND	F1428-ND	14.25	13.16	9.87
10	F1409-ND	F1429-ND	15.83	—	—
12	F1411-ND	F1431-ND	—	17.54	—
15	F1414-ND	F1434-ND	16.44	12.79	10.24
16	F1415-ND	F1435-ND	17.54	13.64	10.92
17	F1416-ND	F1436-ND	18.63	14.50	11.60
18	F1417-ND	F1437-ND	19.73	15.35	12.28
19	F1418-ND	F1438-ND	20.82	16.20	12.96
20	F1419-ND	F1439-ND	21.92	17.05	13.64

† On Panel Mount, first and last position have mounting holes only.

KEYSTONE Fuseholders

For 1/4" (6.35mm) Assembled with .125" (3.18mm) thick black phenolic

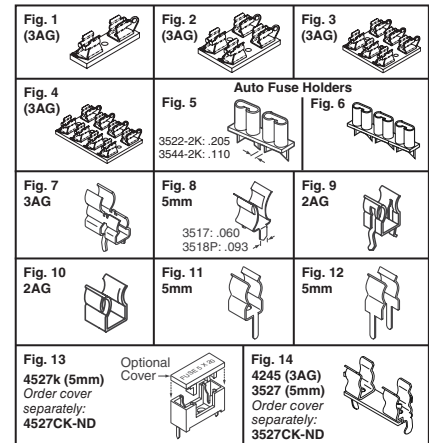


Fig.	Digi-Key Part No.	1	10	100	500
1	3536K-ND	1.17	10.82	102.71	337.15
2	3537K-ND	1.92	17.74	176.42	591.98
3	3538K-ND	3.03	28.15	261.10	886.01
4	3539K-ND	3.99	36.98	344.21	1144.76
5	3522-2K-ND	.71	6.21	50.73	169.75
6	3544-2K-ND	.75	6.53	38.22	—
6	3522-3K-ND	.94	8.25	67.23	226.01
7	3562K-ND	—	2.19	15.17	51.75
8	3517K-ND	—	1.66	11.72	41.16
8	3518PK-ND	—	1.66	11.72	41.16
9	3521K-ND	—	1.41	9.80	32.54
10	3561K-ND	—	1.41	9.80	32.54
11	3520K-ND	—	1.22	8.66	29.21
12	3519K-ND	—	1.21	8.20	28.23
13	4527K-ND	—	4.48	43.04	143.09
—	4527CK-ND	—	1.87	17.72	59.98
14	3527K-ND	1.08	9.47	76.06	266.59
14	4245K-ND	1.39	12.17	64.69	—
—	3527CK-ND	.35	3.22	24.11	—

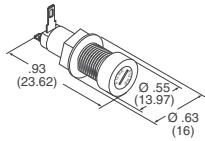
Richco 'Quick Fit' Fuse Covers

- For use on fuse terminal blocks or PCB-mounted fuse clips
- UL recognized E81260, rating 105°C, 600V
- Material: Flexible PVC, RMS-55
- Color: Transparent blue

Dim.	Digi-Key Part No.			
	RP613-ND	RP614-ND	RP615-ND	RP616-ND
A	.50 (12.70)	.50 (12.70)	.63 (16.00)	.50 (12.70)
B	.39 (9.91)	.39 (9.91)	.58 (14.73)	.39 (9.91)
C	.24 (6.10)	.28 (7.11)	.32 (8.13)	.32 (8.13)
D	.79 (20.07)	1.18 (29.97)	1.26 (32.00)	1.42 (36.07)

Fuse Type	Digi-Key Part No.	Price Each		Richco Part No.
		25	100	
Metric	RP613-ND	.45	.39	840620
Metric	RP614-ND	.73	.63	840730
Metric	RP615-ND	.77	.66	840832
Standard	RP616-ND	.98	.84	840836

2AG Shock-Safe Panel Mount Fuseholder

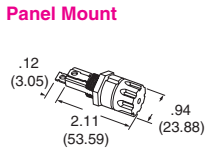


Specifications:

- **Terminals:** Brass, Tin-plated, .110" Solder/Q.C.
- **Current Rating:** 10 Amperes for any voltage up to 300V

F1469-ND (Littelfuse # 02450001) 3.17/1; 29.27/10; 219.54/100

Water Tight 3AG Fuseholder Panel Mount



Specifications:

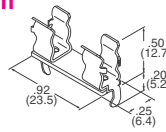
- **Electrical:** 20 Amperes, 250V
- **Knob:** Screw Type
- **Terminals:** Tin-plated, Solder Type
- **Seal:** O-Ring per MIL-PRF-19207

F1479-ND (Littelfuse # 03420006) 20.04/1; 185.00/10; 1387.49/100

Fuse Blocks 5 x 20mm PC Board Type

Specifications: • **Clip/Terminals:** Tin-plated spring brass • **Base:** phenolic laminate UL94V0 • **Current Rating:** 6.3 Amperes, 250V

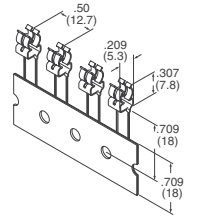
F1501-ND (Littelfuse # 05200002H)83/1; 7.69/10; 57.67/100



5 x 20mm Fuse Clip Automatic Insertion

Specification:

- **Clip Material:** Phosphor/Bronze
- **Finish:** Tin-plated
- **Style:** Ear



Digi-Key Part No.	Cut Tape Pricing			Digi-Key Part No.	Tape & Ammo	
	1	10	100		Qty.	Pricing
F043CT-ND	.23	2.08	17.47	F043TB-ND	1,000	87.12

Microfuse or PICO II Fuseholder

Fuseholder will accept Littelfuse Microfuses and PICO II™ fuses (rated to 5 Amperes) with .025" (.64mm) diameter leads.

Electrical: Rated at 5 Amperes for any voltage up to 125V.

Molded Parts: White thermoplastic, Black panel mount

Terminals: Copper alloy

Ambient Temperature: -40°C ~ 100°C, Silver terminal plating

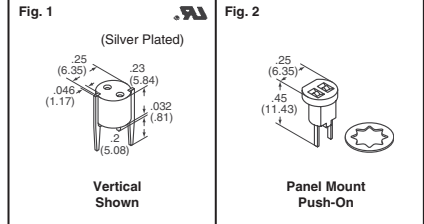


Fig.	Mounting	Digi-Key Part No.	Price Each		
			1	100	250
1	Vertical	F060-ND*	1.84	1.28	1.14
1	Horizontal	F061-ND*	1.84	1.28	1.14
1	Vertical	F1475-ND†	1.91	1.33	1.18
2	Panel	F1474-ND	2.06	1.43	1.27

† Plating: Tin • UL Recognized

Fuse Clips

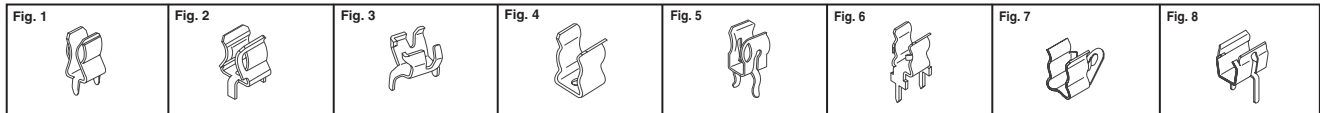


Fig.	Accepts Fuse Type	End Stops (Ears)	Lead Type	Clip Material	Finish	Digi-Key Part No.	10	Pricing 100	250	Littelfuse Part No.
1	3AG (.250" Diameter)	Yes	Straight	Spring Brass	Tin-Plated	F040-ND	1.63	12.25	27.23	01020071H
	3AG (.250" Diameter)	No	Straight	Spring Brass	Tin-Plated	F041-ND	1.63	12.25	27.23	01020074H
	3AG (.250" Diameter)	Yes	Straight	Beryllium Copper	Silver-Plated	F046-ND	4.75	35.61	79.13	01220083H
	3AG (.250" Diameter)	Yes	Straight	Beryllium Copper	Tin-Plated	F045-ND	3.92	29.40	65.34	01220088H
	3AG (.250" Diameter)	No	Straight	Beryllium Copper	Tin-Plated	F2777-ND	4.31	32.34	71.87	01220093H
2	3AG (.250" Diameter)	No	Angled-In	Spring Brass	Tin-Plated	F042-ND	2.44	18.30	40.66	01020078H
	3AG (.250" Diameter)	Yes	Angled-In	Spring Brass	Tin-Plated	F052-ND	2.44	18.30	40.66	01020079H
3	3AG (.250" Diameter)	Yes	Straight	Beryllium Copper	Silver-Plated	F048-ND	4.36	32.67	72.60	01220090N
4	3AG (.250" Diameter)	No	Rivet/Eyelet	Spring Brass	Nickel-Plated	F038-ND	1.66	12.41	27.59	01010002H
5	2AG/5 x 20mm	Yes	Straight	Spring Brass	Tin-Plated	F058-ND	1.66	12.41	27.59	01110501H
	2AG/5 x 20mm	Yes	Straight	Beryllium Copper	Tin-Plated	F044-ND	3.05	22.87	50.82	01110506H
6	5 x 20mm	Yes	Straight	Spring Brass	Tin-Plated	F063-ND	1.70	12.74	28.31	01000056H
7	3AG (.250" Diameter)	No	Rivet/Eyelet	Spring Brass	Nickel-Plated	F2776-ND	1.76	13.23	29.40	01010003H
8	3AG (.250" Diameter)	Yes	Straight	Spring Brass	Tin-Plated	F2775-ND	1.68	12.58	27.95	01000058M

Omni-Blok® Fuse Block

Specifications:

• **Clip/Terminals:** Tin-plated spring brass

• **Base:** Black thermoplastic glass reinforced UL 94V0 (except 3AG type which is grey)

Agency Approvals/Current Rating			
Series	U.L. (Amps)	CSA (Amps)	VDE/Semko (Amps)
0254	10	10	N/A
354000	30	30	N/A
354060	20	20	N/A
354080	20	20	N/A
354101	15	15	N/A
0520	10	10	6.3

Fig. 1 Solder/Q.C.

Fig. 2 P.C. Board Mount

Termination Options

Terminal	Dimensions	Mounting
Terminal 1	.07 x .13 Hole, .110" ref.	Solder Type P.C. Board Mount
Terminal 2	.110"	Solder/Q.C.
Terminal 3	.110"	NEMA/Q.C.
Terminal 4	.090 x .160 hole, .187"	Solder/Q.C.
Terminal 5	Ø .055 hole, .187"	NEMA/Q.C.
Terminal 6	Ø .070 hole, .250"	Q.C.

Fig.	Accepts Fuse Type	Terminal Type	Dimensions - Inch			Digi-Key Part No.	Price Each			Littelfuse Part No.
			A	B	C		1	10	100	
0254 Series (2AG)										
1	2AG	2	.70	.50	.35	F1470-ND	.99	.91	.69	02540001Z
1	2AG	3	.70	.50	.35	F1472-ND	.99	.91	.69	02540201Z
2	2AG	1	.70	.50	.35	F1471-ND	.85	.79	.59	02540101Z
0354 Series (3AG)										
1	1/4" 3AG	4	1.4	.53	.50	F1497-ND	.81	.75	.57	03540001ZXGY
1	1/4" 3AG	5	1.4	.53	.50	F1499-ND	.81	.75	.57	03540601ZXGY
1	1/4" 3AG	6	1.4	.53	.50	F1500-ND	.81	.75	.57	03540801ZXGY
2	1/4" 3AG	1	1.4	.53	.50	F1498-ND	.85	.79	.59	03540101ZXGY
0520 Series (5 x 20 mm)										
1	5 x 20mm	2	.92	.50	.40	F1503-ND	.83	.77	.58	05200004Z
1	5 x 20mm	3	.92	.50	.40	F1502-ND	.83	.77	.58	05200003Z
2	5 x 20mm	1	.92	.50	.40	F1504-ND	.88	.81	.61	05200101Z

Free shipping on orders over £50! All prices are in British pound sterling and include duties.

uk.digikey.com — FREEPHONE: 0-800-587-0991 • 0-800-904-7786 — FREEFAX: 0-800-587-0992 • 0-800-904-7783

(UK091) 1951

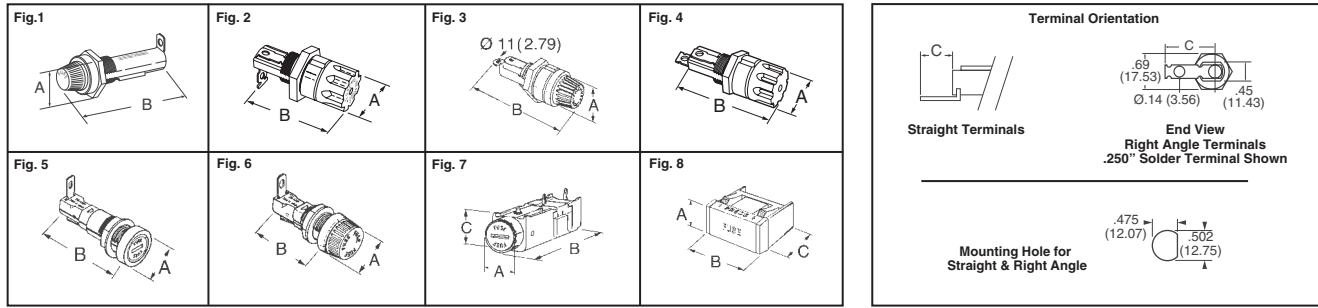


Fig.	Accepts Fuse Type	Terminal Orientation	Terminal Type	Knob Type	Accessories Included	Dimensions – Inch (mm)			Digi-Key Part No.	Price Each			Littelfuse Part No.
						A	B	C		1	10	100	
1	3AG (.250" Diameter)	Rt. Angle	Solder	Knurled	—	.69 (17.53)	1.78 (45.21)	.63 (16.00)	F007-ND	2.80	2.59	1.95	03420022H
2	3AG (.250" Diameter)	Rt. Angle	Solder	Fluted	—	.69 (17.53)	1.78 (45.21)	.63 (16.00)	F1478-ND	2.80	2.59	1.95	03420004H
2	3AG (.250" Diameter)	Rt. Angle	Solder	Fluted	Lockwasher	.69 (17.53)	1.78 (45.21)	.63 (16.00)	F004-ND	2.88	2.66	2.00	03420004HXL
2	3AG (.250" Diameter)	Rt. Angle	Solder	Fluted	Lockwasher/Drip Seal	.69 (17.53)	1.78 (45.21)	.63 (16.00)	F003-ND	3.03	2.80	2.10	03420004HXPL
2	3AG (.250" Diameter)	Rt. Angle	.250" Q.C.	Fluted	—	.69 (17.53)	1.78 (45.21)	.59 (14.99)	F012-ND	3.15	2.91	2.19	03420828H
3	3AG (.250" Diameter)	Straight	Solder Eyelet	Knurled	—	.69 (17.53)	2.01 (51.05)	—	F005-ND	2.67	2.47	1.86	03420012H
3	3AG (.250" Diameter)	Straight	Solder Eyelet	Fluted	—	.69 (17.53)	2.01 (51.05)	—	F006-ND	2.67	2.47	1.86	03420014H
4	3AG (.250" Diameter)	Straight	.187" Q.C.	Fluted	—	.69 (17.53)	1.78 (45.21)	.30 (7.62)	F009-ND	3.00	2.77	2.08	03420038H
4	3AG (.250" Diameter)	Straight	.250" Q.C.	Fluted	—	.69 (17.53)	1.70 (43.18)	.40 (10.16)	F013-ND	3.30	3.05	2.29	03420838H
4	3AG (.250" Diameter)	Straight	.250" Q.C.	Knurled	—	.69 (17.53)	1.70 (43.18)	.40 (10.16)	F015-ND	3.30	3.05	2.29	03420858H
5	5 x 20 mm	Rt. Angle	.187" Solder/Q.C.	Screwdriver Slot	—	.65 (16.51)	1.66 (42.16)	.62 (15.75)	F053-ND	4.17	3.86	2.89	03450621H
6	5 x 20 mm	Rt. Angle	.187" Solder/Q.C.	Finger Grip	—	.65 (16.51)	1.66 (42.16)	.62 (15.75)	F054-ND	4.17	3.86	2.89	03450623H
7	3AG (.250" Diameter)	Rt. Angle	P.C. Board Pins	Screwdriver Slot	—	.49 (12.45)	1.77 (44.96)	.48 (12.19)	F055-ND	2.89	2.67	2.01	03450101H
7	3AG (.250" Diameter)	—	—	Screwdriver Slot	Replace Knob for F055	—	—	—	F1482-ND	1.01	.94	0.70	03450101HX020
7	5 x 20 mm	Rt. Angle	P.C. Board Pins	Screwdriver Slot	—	.49 (12.45)	1.77 (44.96)	.48 (12.19)	F056-ND	3.74	3.46	2.60	03450121H
8	3AG (.250" Diameter)	Straight	.250" Q.C.	Flip-Top	Spare Fuse Carrier	.75 (19.05)	1.50 (38.10)	1.04 (26.42)	F059-ND	3.64	3.36	2.52	03460877H
8	5 x 20 mm	Straight	.187" Q.C.	Flip-Top	Spare Fuse Carrier	.70 (17.78)	1.03 (26.16)	.94 (23.88)	F1477-ND	4.69	4.33	3.25	02860677H
8	2AG (.177" Diameter)	Straight	.110" Q.C.	Flip-Top	Spare Fuse Carrier	.61 (15.49)	.85 (21.59)	.87 (22.10)	F1476-ND	2.63	2.43	1.82	02860377H

International Shock-Safe Panel Mount Fuseholders

Designed to eliminate the possibility of electrical shock, as defined in IEC 60065 and 60127. Anti-tease feature eliminates circuit interruption when knob is accidentally depressed.

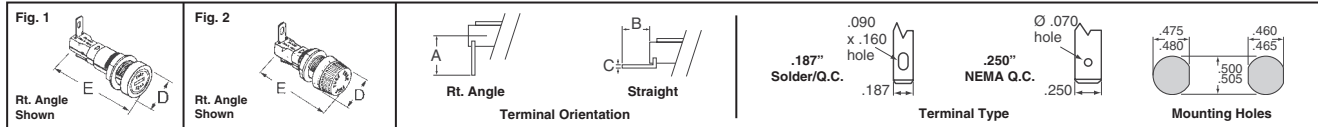


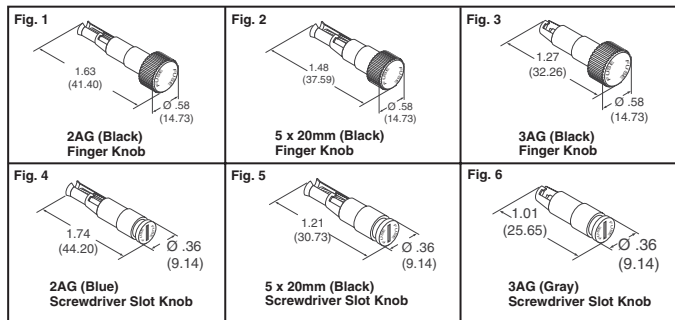
Fig.	Accepts Fuse Type	Terminal Orientation	Terminal Type	Body Profile	Knob Type	Dimensions – Inch (mm)					Digi-Key Part No.	Price Each			Littelfuse Part No.
						A	B	C	D	E		1	10	100	
1	2AG (.177" Dia.)	Straight	.187" Solder/Q.C.	Low	Screwdriver Slot (Blue)	—	.30 (7.62)	.020 (0.51)	.60 (15.24)	1.75 (44.45)	F1486-ND	3.27	3.02	2.27	03452LS2H
	3AG (.250" Dia.)	Rt. Angle	.187" Solder/Q.C.	Low	Screwdriver Slot (Gray)	.53 (13.46)	—	—	.60 (15.24)	1.75 (44.45)	F1490-ND	2.38	2.20	1.65	03453LS1H
	3AG (.250" Dia.)	Straight	.187" Solder/Q.C.	Low	Screwdriver Slot (Gray)	—	.30 (7.62)	.020 (0.51)	.60 (15.24)	1.75 (44.45)	F1492-ND	2.54	2.35	1.76	03453LS2H
	3AG (.250" Dia.)	Straight	.187" Solder/Q.C.	Low	Screwdriver Slot (Gray)	—	.30 (7.62)	.020 (0.51)	.60 (15.24)	1.75 (44.45)	F1493-ND**	2.89	2.67	2.01	03453LS2HXNP
	5 x 20mm (.197" Dia.)	Straight	.187" Solder/Q.C.	High	Screwdriver Slot (Black)	—	.30 (7.62)	.020 (0.51)	.60 (15.24)	1.75 (44.45)	F1494-ND	2.54	2.35	1.77	03455HS2H
2	2AG (.177" Dia.)	Straight	.187" Solder/Q.C.	Low	Fingergrasp (Black)	—	.30 (7.62)	.020 (0.51)	.60 (15.24)	2.00 (50.80)	F1484-ND	3.27	3.02	2.27	03452LF2H
	3AG (.250" Dia.)	Straight	.187" Solder/Q.C.	Low	Fingergrasp (Black)	—	.30 (7.62)	.020 (0.51)	.60 (15.24)	2.00 (50.80)	F1488-ND	2.38	2.20	1.65	03453LF2H
	3AG (.250" Dia.)	Straight	NEMA .250" Q.C.	Low	Fingergrasp (Black)	—	.36 (9.14)	.032 (0.81)	.60 (15.24)	2.00 (50.80)	F1489-ND	2.54	2.35	1.76	03453LF8H

Q.C.= Quick Connect ** Neoprene Washer Drip Proof Seal

Fuseholder Replacement Knobs for International Shock-Safe Fuse Holders

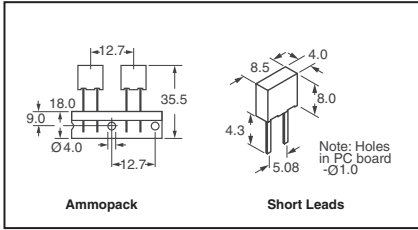
With the universal 345 Series fuseholder, the low profile body holders will accept any one of these replacement knobs.

Fig.	Digi-Key Part No.	1	Price Each 10	100	Littelfuse Part No.
1	F1483-ND	1.50	1.39	1.04	03452LF1HX020
2	F1495-ND	1.11	1.03	.77	03455LF1HX020
3	F1487-ND	.84	.78	.59	03453LF1HX020
4	F1485-ND	1.50	1.39	1.04	03452LS1HX020
5	F1496-ND	1.11	1.03	.77	03455LS1HX020
6	F1491-ND	1.11	1.03	.77	03453LS1HX020



Free shipping on orders over £50! All prices are in British pound sterling and include duties.

TIP Telecom Duty Fuses (Telecom Interface Protector)



Electrical Characteristics:

Rated Current	Pre-arcing Rating	
	100%	300%
350mA - 1.50A	2 hr. minimum	300ms...5s

Approvals: cULus Recognized: File No. E67006. Complies to EIA-15-968; Telcordia GR-1089

Features:

- For UL60950/1950 3rd Edition applications • Highly defined cutoff times
- Flame resistant encapsulated casing • Low internal resistance • Irreversible physical separation • Stable characteristics under varying temperatures

Maximum Fault Currents: ≤50A at 125VAC; ≤35A at 125VDC

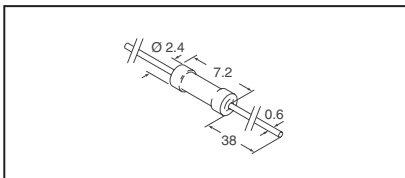
Material:

- Base and Cap: Brown thermoplastic (polyamide PA 6.6), UL 94-V0; • Round Pins: Copper alloy, tin-plated

Amp Rating	Voltage Rating	Digi-Key Part No.	Price Each	Tape & Ammo-Pk Qty.	Pricing†
TIP 385 Series					
.350	125	WK4560BK-ND	.43 .40	1,400	180.02/M
1.00	125	WK4563BK-ND	.43 .40	1,400	180.02/M
1.25	125	WK4564BK-ND	.43 .40	1,400	180.02/M
1.50	125	WK4565BK-ND	.43 .40	1,400	180.02/M

† For Tape and Ammo Pack number, change BK-ND to TB-ND.

Picofuse Fast Acting 125V 275 Series



Applicable Standards: • UL 248-14 • CSA C22.2 No. 248.14

Approvals: • UL Listed: File No. E 67006 (125mA - 7A) • cUL Listed: File No. E 67006 (125mA - 7A) • UL Recognized: File No. E 67006 (10A) • CSA Certified: File No. 51378 (10A)

Features: • Subminiature • Axial Leads

Materials: • Body: Ceramic tube, Heat Shrink tube • Plug-on Caps: Copper alloy, tin plated

Operating Temperature: -25°C - 70°C (consider de-rating)

Electrical Characteristics:

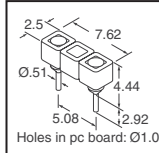


Rated Current	Pre-arcing Rating	
	200%	200% Wickmann Tested
125mA - 10.00A	<60s	<5s

Amp Rating (A)	Voltage Rating	Digi-Key Part No.	Cut Tape Price Each	Tape & Reel Pricing†
275 Series				
4.00	125	WK1092CT-ND	.26 .25	121.97/M
10.0	125	WK1095CT-ND	.26 .25	—

† For Tape and Reel part number, change CT-ND to TR-ND.

TE5 Fuseholder



Material:

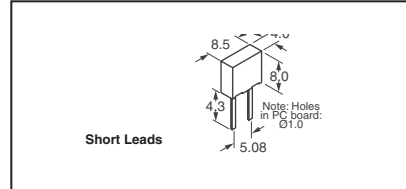
- Black thermoplastic UL 94-V0
- Terminals: Brass, tin-plated for soldering

Rated Values:

250V; 6.3A; UL Recognized

WK0009-ND93/1	8.58/10	64.36/100
-----------	-----------	---------	-----------

TE5 Sub-Miniature Fuses - UL 248-14



Approvals (395 and 396 Series):

cUL Listed, UL Listed for .050A - 6.30A. MITI approved for 1.00A - 5.00A

Features:

- Fast-acting and time-lag
- Material: Brown thermoplastic UL 94-V0
- Round Pins: Copper alloy, tin-plated
- Soldering Heat Resistance: 260°C, 10 seconds (IEC 60068-2-20)
- Plug-in holders available

Electrical Characteristics:

Series	Rated Current	Pre-arcing Rating	
		100%	200%
395	50mA - 6.3A	> 4 hr.	< 5 sec.
396	50mA - 6.3A	> 4 hr.	< 60 sec.

Breaking Capacity: 100A at 125VAC

Amp Rating	Voltage Rating	Digi-Key Part No.	Bulk Price Each		
			1	10	100
Fast-Acting 395 Series					
.050	125	WK4322BK-ND	2.90	2.68	2.01
.063	125	WK4325BK-ND	1.86	1.72	1.29
.100	125	WK4327BK-ND	.68	.63	.48
.125	125	WK4328BK-ND	.68	.63	.48
.160	125	WK4330BK-ND	.68	.63	.48
.200	125	WK4334BK-ND	.68	.63	.48
.250	125	WK4335BK-ND	.68	.63	.48
.315	125	WK4337BK-ND	.68	.63	.48
.400	125	WK4340BK-ND	.68	.63	.48
.500	125	WK4341BK-ND	.68	.63	.48
.630	125	WK4343BK-ND	.68	.63	.48
.800	125	WK4346BK-ND	.68	.63	.48
1.00	125	WK4348BK-ND	.68	.63	.48
1.25	125	WK4350BK-ND	.68	.63	.48
1.60	125	WK4353BK-ND	.68	.63	.48
2.00	125	WK4357BK-ND	.68	.63	.48
2.50	125	WK4358BK-ND	.68	.63	.48
3.15	125	WK4324BK-ND	.68	.63	.48
4.00	125	WK4362BK-ND	.68	.63	.48
5.00	125	WK4363BK-ND	.68	.63	.48
6.30	125	WK4366BK-ND	.68	.63	.48
Time-Lag 396 Series					
.063	125	WK4425BK-ND	.97	.90	.68
.080	125	WK4426BK-ND	.97	.90	.68
.100	125	WK4427BK-ND	.86	.80	.60
.125	125	WK4428BK-ND	.86	.80	.60
.160	125	WK4430BK-ND	.86	.80	.60
.200	125	WK4434BK-ND	.72	.67	.50
.250	125	WK4435BK-ND	.72	.67	.50
.315	125	WK4437BK-ND	.72	.67	.50
.400	125	WK4440BK-ND	.72	.67	.50
.500	125	WK4441BK-ND	.72	.67	.50
.630	125	WK4443BK-ND	.72	.67	.50
.800	125	WK4446BK-ND	.72	.67	.50
1.00	125	WK4448BK-ND	.72	.67	.50

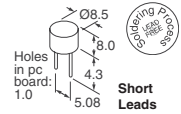
Amp Rating	Voltage Rating	Digi-Key Part No.	Bulk Price Each		
			1	10	100
1.25	125	WK4450BK-ND	.72	.67	.50
1.60	125	WK4453BK-ND	.72	.67	.50
2.00	125	WK4457BK-ND	.72	.67	.50
2.50	125	WK4458BK-ND	.72	.67	.50
3.15	125	WK4424BK-ND	.72	.67	.50
4.00	125	WK4462BK-ND	.72	.67	.50
5.00	125	WK4463BK-ND	.72	.67	.50
6.30	125	WK4466BK-ND	.72	.67	.50

◆ **RoHS Compliant**

◆ **WK0117-KIT-ND Digi-Key® TE5 Sub-Miniature Fuse Kit**
10 each of **TE5 Sub-Miniature Fuses** indicated and 20 each of **TE5 Fuseholders (WK0009-ND)** **104.41**

Wickmann® Brand Product

TR5 Sub-Miniature Fuses - IEC 60127-3



Approvals:

• **370 Series:** SEMKO Approved, cULus Recognized, CCC Approved (.050A - 5.00A), VDE Approved (.050A - 5.00A) Expert Report (6.30A), METI Approved (1.00A - 4.00A)

• **372 Series:** SEMKO Approved, cULus Recognized, CCC Approved (.050A - 6.30A), VDE Approved (.050A - 4.00A) Expert Report (5.00A, 6.30A), METI Approved (1.00A - 4.00A), Korean Approved (.050A - 6.30A)

• **382 Series:** SEMKO Approved and cULus Recognized (1.00A - 6.30A), CCC Approved (1.00A - 4.00A), VDE Approved (1.00A - 4.00A) Expert Report (5.00A, 6.30A), METI Approved (1.00A - 5.00A), Koren Approval (1.00A - 4.00A)

Material: • Base and Cap: Brown thermoplastic, Polyamide PA 6.6, UL 94V-0 • Round Pins: Copper alloy, tin-plated

Features: • Fast-acting and Time-lag • Soldering Heat Resistance: 260°C, 10 seconds (IEC 60068-2-20) • Plug-in holders available

Electrical Characteristics:



Pre-arcing Rating				
150%	210%	275%	400%	1000%
Series 370 - 50mA - 6.30A				
> 1 hr.	< 30 min.	10ms - 3sec.	3 - 300ms	< 20ms
Series 372 - 50mA - 6.30A				
> 1 hr.	< 2 min.	400ms - 10sec.	150ms - 3sec.	20 - 150ms
Series 382 - 1.00A - 6.30A				
> 1 hr.	< 2 min.	400ms - 10sec.	150ms - 3sec.	20 - 150ms

BREAKING CAPACITY: 370 and 372 Series: 35A at 250VAC for (.050A - 3.15A), 40A for (4.00A), 50A for (5.00A, 6.30A) 382 Series: 100A at 250VAC (1.00A - 6.30A)

Amp Rating	Voltage Rating	Digi-Key Part No.	Bulk Price Each		
			1	10	100
Fast-Acting 370 Series (IEC 60127-3/III)					
.050	250	WK4922BK-ND	2.45	2.27	1.71
.063	250	WK4925BK-ND	2.45	2.27	1.71
.080	250	WK4926BK-ND	2.45	2.27	1.71
.100	250	WK4927BK-ND	.52	.48	.36
.125	250	WK4928BK-ND	.52	.48	.36
.160	250	WK4930BK-ND	.52	.48	.36
.200	250	WK4934BK-ND	.52	.48	.36
.250	250	WK4935BK-ND	.52	.48	.36
.315	250	WK4937BK-ND	.52	.48	.36
.400	250	WK4940BK-ND	.52	.48	.36
.500	250	WK4941BK-ND	.52	.48	.36
.630	250	WK4943BK-ND	.52	.48	.36
.800	250	WK4946BK-ND	.52	.48	.36
1.00	250	WK4948BK-ND	.52	.48	.36
1.25	250	WK4950BK-ND	.52	.48	.36
1.60	250	WK4953BK-ND	.52	.48	.36
2.00	250	WK4957BK-ND	.52	.48	.36
2.50	250	WK4958BK-ND	.52	.48	.36
3.15	250	WK4924BK-ND	.52	.48	.36
4.00	250	WK4962BK-ND	.52	.48	.36
5.00	250	WK4963BK-ND	.52	.48	.36
6.30	250	WK4964BK-ND	.52	.48	.36
Time-Lag 372 Series (IEC 60127-3/IV)					
.050	250	WK4222BK-ND	.69	.64	.48
.063	250	WK4225BK-ND	.69	.64	.48
.080	250	WK4226BK-ND	.56	.52	.39
.100	250	WK4227BK-ND	.56	.52	.39
.125	250	WK4228BK-ND	.56	.52	.39
.160	250	WK4230BK-ND	.56	.52	.39
.200	250	WK4234BK-ND	.56	.52	.39

◆ **RoHS Compliant**

† Conducting Path minimum: 2mm² (Continued)

Free shipping on orders over £50! All prices are in British pound sterling and include duties.

uk.digikey.com — FREEPHONE: 0-800-587-0991 • 0-800-904-7786 — FREEFAX: 0-800-587-0992 • 0-800-904-7783

(UK091) 1953

TR5 Sub-Minature Fuses – IEC 60127-3 (Cont.)

Amp Rating	Voltage Rating	Digi-Key Part No.	Bulk Price Each		
			1	10	100
.250	250	WK4235BK-ND	.56	.52	.39
.315	250	WK4237BK-ND	.49	.46	.35
.400	250	WK4240BK-ND	.49	.46	.35
.500	250	WK4241BK-ND	.49	.46	.35
.630	250	WK4243BK-ND	.49	.46	.35
.800	250	WK4246BK-ND	.49	.46	.35
1.00	250	WK4248BK-ND	.49	.46	.35
1.25	250	WK4250BK-ND	.49	.46	.35
1.60	250	WK4253BK-ND	.49	.46	.35
2.00	250	WK4257BK-ND	.49	.46	.35
2.50	250	WK4258BK-ND	.49	.46	.35
3.15	250	WK4224BK-ND	.49	.46	.35
4.00	250	WK4262BK-ND	.49	.46	.35
5.00	250	WK4263BK-ND	.49	.46	.35
6.30	250	WK4264BK-ND	.49	.46	.35

Time-Lag High Breaking 382 Series (IEC 60127-3/IV) – RoHS Compliant

Amp Rating	Voltage Rating	Digi-Key Part No.	1	10	100
1.00	250	WK6207BK-ND	.58	.54	.41
2.00	250	WK6208BK-ND	.58	.54	.41
2.50	250	WK6209BK-ND	.58	.54	.41
3.15	250	WK6210BK-ND	.58	.54	.41
4.00	250	WK6211BK-ND	.58	.54	.41
5.00	250	WK6212BK-ND	.58	.54	.41
6.30	250	WK6213BK-ND	.58	.54	.41

◆ RoHS Compliant † Conducting Path minimum: 2mm²
 ◆ Digi-Key® TR5 Sub-Minature Fuse IEC 60127-3 Kit 10 each of TR5 Sub-Minature Fuses indicated and 15 each of TR5 Fuseholders (WK0001-ND)
 WK0113-KIT-ND – RoHS Compliant 90.58

TR5 Sub-Minature Fuses – UL 248-14

Approvals:
 373 and 374 Series: UL Listed, CSA Certified Approved (.050A – 10A)
Material: • Base and cap: Brown thermoplastic UL 94-V0, insulated • Round Pins: Copper alloy, tin-plated
Features: • Fast-acting and Time-lag • Soldering Heat Resistance: 260°C, 10 seconds, IEC-60068-2-20 • Plug-in holders available

Electrical Characteristics:

Series	Rated Current	Pre-arcing Rating	
		100%	200%
373	50mA – 10.A	4 hr. minimum	5 sec. maximum
374	50mA – 10.00A	4 hr. minimum	60 sec. maximum

Fast-Acting 373 Series

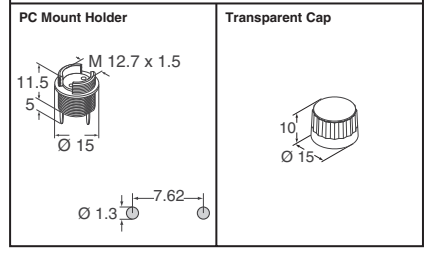
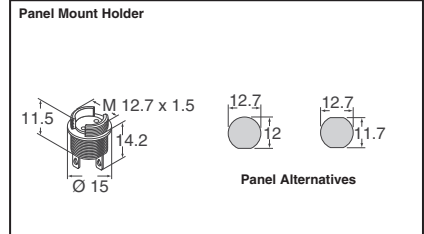
Amp Rating	Voltage Rating	Digi-Key Part No.	Bulk Price Each		
			1	10	100
.050	250	WK3022BK-ND	2.93	2.71	2.03
.063	250	WK3025BK-ND	2.93	2.71	2.03
.080	250	WK3026BK-ND	2.93	2.71	2.03
.100	250	WK3027BK-ND	.65	.60	.45
.125	250	WK3028BK-ND	.65	.60	.45
.160	250	WK3030BK-ND	.65	.60	.45
.200	250	WK3034BK-ND	.65	.60	.45
.250	250	WK3035BK-ND	.65	.60	.45
.315	250	WK3037BK-ND	.65	.60	.45
.400	250	WK3040BK-ND	.65	.60	.45
.500	250	WK3041BK-ND	.65	.60	.45
.630	250	WK3043BK-ND	.65	.60	.45
.800	250	WK3046BK-ND	.65	.60	.45
1.00	250	WK3048BK-ND	.65	.60	.45
1.25	250	WK3050BK-ND	.65	.60	.45
1.60	250	WK3053BK-ND	.65	.60	.45
2.00	250	WK3057BK-ND	.65	.60	.45
2.50	250	WK3058BK-ND	.65	.60	.45
3.15	250	WK3024BK-ND	.65	.60	.45
4.00	250	WK3062BK-ND	.65	.60	.45
5.00	250	WK3063BK-ND	.65	.60	.45
6.30	250	WK3066BK-ND	.65	.60	.45
10.00	250	WK3071BK-ND	.65	.60	.45

Amp Rating	Voltage Rating	Digi-Key Part No.	Bulk Price Each		
			1	10	100
Time-Lag 374 Series – RoHS Compliant					
.050	250	WK4022BK-ND	1.00	.93	.70
.063	250	WK4025BK-ND	1.00	.93	.70
.080	250	WK4026BK-ND	.94	.87	.65
.100	250	WK4027BK-ND	.94	.87	.65
.125	250	WK4028BK-ND	.79	.73	.55
.160	250	WK4030BK-ND	.79	.73	.55
.200	250	WK4034BK-ND	.79	.73	.55
.250	250	WK4035BK-ND	.72	.67	.50
.315	250	WK4037BK-ND	.72	.67	.50
.400	250	WK4040BK-ND	.65	.60	.45
.500	250	WK4041BK-ND	.65	.60	.45
.630	250	WK4043BK-ND	.65	.60	.45
.800	250	WK4046BK-ND	.65	.60	.45
1.00	250	WK4048BK-ND	.65	.60	.45
1.25	250	WK4050BK-ND	.65	.60	.45
1.60	250	WK4053BK-ND	.65	.60	.45
2.00	250	WK4057BK-ND	.65	.60	.45
2.50	250	WK4058BK-ND	.65	.60	.45
3.15	250	WK4024BK-ND	.65	.60	.45
4.00	250	WK4062BK-ND	.65	.60	.45
5.00	250	WK4063BK-ND	.65	.60	.45
6.30	250	WK4066BK-ND	.65	.60	.45
10.00	250	WK4071BK-ND	.72	.67	.50

◆ RoHS Compliant
 ◆ Digi-Key® TR5 Sub-Minature Fuse UL-248-14 Kit 10 each of TR5 Sub-Minature Fuses indicated and 15 each of TR5 Fuseholders (WK0001-ND)
 WK0116-KIT-ND – RoHS Compliant 103.75

TR5 Panel Mount Fuseholder

Material:
 • Holder: Black thermoplastic UL 94V-0
 • Polyamide PA
 • Metal Parts: Copper alloy, solderable tinned
 • Cap: Transparent thermoplastic polycarbonate PC, UL 94V-0



Description	Digi-Key Part No.	Price Each		Wickmann Part No.
		1	10	
Panel Mount Holder	WK6224-ND	.88	.81	5700000000
PC Mount Holder	WK6225-ND	.72	.67	5710000000
Transparent Cap	WK6226-ND	.33	.31	5750000000

TR5 / TE5 SMT Fuseholder

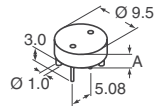
Material: • Black thermoplastic UL 94-V0 • Terminals: Brass, tin-plated • UL Recognized

Amp Rating	Voltage Rating	Digi-Key Part No.	Cut Tape Price Each		Tape & Reel Pricing†
			1	10	1,500
6.3	250	WK0010CT-ND	1.17	1.08	522.14/M

† For Tape and Reel Part Number, change CT-ND to TR-ND.

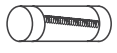
TR5 Fuseholder

Material: • Thermoplastic, UL 94V-0
 • Polyester PCT • Terminals: brass, tin-plated
Rated Values: 250V; 6.3A



Height (A) mm	Digi-Key Part No.	Price Each		Wickmann Part No.
		1	10	
3.0	WK0001-ND	.59	.55	5600000131
4.3	WK6235-ND	.48	.45	5600000100

UL / CSA Fuses Metric (5x20mm) – UL 248-14



198 Series – Glass

Wickmann	Littelfuse	Bussmann
198 Series	239	GMD

Approvals:
 198 Series: UL listed, CSA certified, .250A – 3.50A

Electrical Characteristics:

Series	Rated Current	Pre-arcing Rating	
		135%	200%
198	.250A – 2.50A	< 1 hr	5-120 sec.
	3.50A	< 1 hr	12-120 sec.

Breaking Capacity:

198 Series: 35A at 250VAC (.250A – .800A); 100A at 250VAC (2.50A); 10,000A at 125VAC (.250A)

Amp Rating	Voltage Rating	Digi-Key Part No.	Price Each		
			1	10	100
Time-Lag 198 Series					
.250	250	WK4835-ND	.30	.29	.22

Wickmann® Brand Product

IEC 60127-2 Metric (5x20mm) Fuses



Approvals:
 194 Series: SEMKO Approved, VDE Approved (0.200A – 6.30A), cULus Recognized (0.315A – 16A), CCC Approved (1.00A – 6.30A)
 195 Series: SEMKO Approved, VDE Approved, BSI Approved, IMQ Approved, CCC Approved (0.032A – 6.30A), cULus Recognized (0.032A – 12.50A), METI Approved (1.00A – 5.00A)

Electrical Characteristics:

Series	Rated Current	Pre-arcing Rating			
		150%	210%	400%	1000%
194	0.200 ~ 2.50A	> 1 hr.	< 30 min.	10ms ~ 2 sec.	3 ~ 300 ms
	0.040 ~ .080A	> 1 hr.	< 2 min.	200ms ~ 10 sec.	40ms ~ 3 sec.
195	.125 ~ 2.50A	> 1 hr.	< 2 min.	600ms ~ 10 sec.	150 ms ~ 3 sec.
					20 ~ 300 ms

BREAKING CAPACITY: 194 Series: 1500A at 250VAC 195 Series: 35A at 250VAC for (.040 – 2.50A)

Amp Rating	Voltage Rating	Digi-Key Part No.	Price Each		
			1	10	100
Fast Acting, High Breaking Capacity 194 Series					
.315	250	WK2037-ND	.70	.65	.49
1.60	250	WK2053-ND	.39	.37	.28
Time-Lag 195 Series					
.080	250	WK5026-ND	.61	.57	.43
PC Board Mount (5x20mm) – RoHS Compliant					
—	—	WK0011-ND	.27	.25	.19

Shock-Safe fuseholders for 1/4 x 1-1/4" (3AG) or 5 x 20mm fuses built according to UL 512 and IEC 60127-6 and CSA C22.2 No. 39 • VDE, SEMKO rated for use up to 250 Volts. • Casing made of black thermoplastic with UL 94V-0 ratings. Injection-molded terminals prevent intermittent connections. • PC Mount versions include additional pin(s) for added stability from torsional forces seen during fuse removal. • Panel Mount versions have combination 3/16" quick-connect/solderable tabs. • Body Material: White thermoplastic, UL 94V-0 rated (Wickmann Part No. 6490001009 only)

include additional pin(s) for added stability from torsional forces seen during fuse removal. • Panel Mount versions have combination 3/16" quick-connect/solderable tabs. • Body Material: White thermoplastic, UL 94V-0 rated (Wickmann Part No. 6490001009 only)

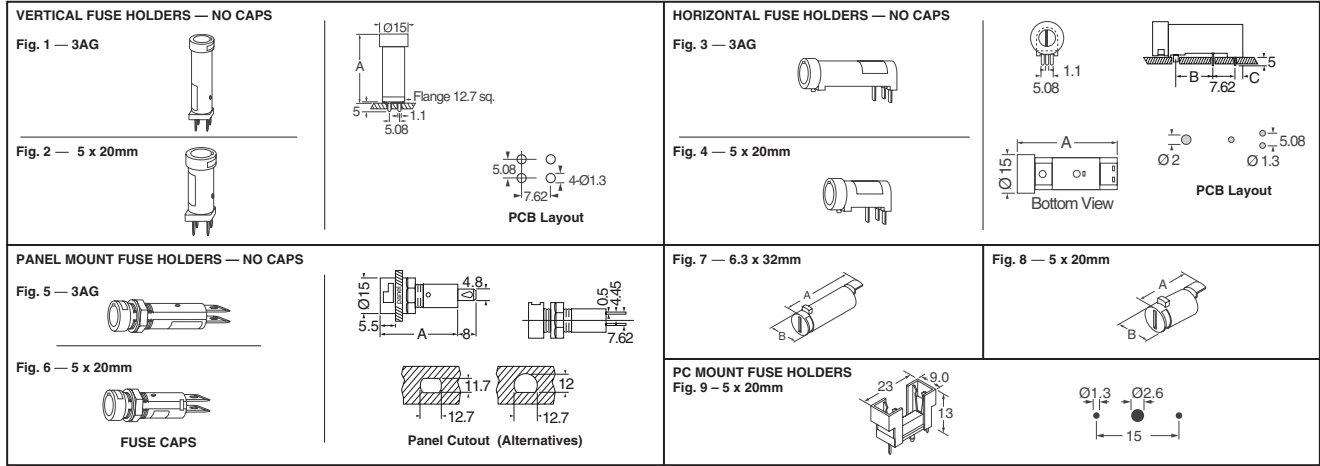
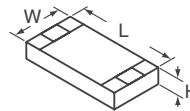


Fig.	Description	Dimensions – mm			Rated Current Amps VDE	UL/CSA (Amps)	Digi-Key Part No.	Price Each			Wickmann Part No.
		A	B	C				1	10	100	
1	Vertical 3AG (6.3 x 32mm) Holder	46.3	—	—	6.3	16	WK6229-ND*	1.09	1.01	.76	8110000005
2	Vertical (5 x 20mm) Holder	32.6	—	—	6.3	16	WK6233-ND*	.84	.78	.59	8310000005
3	Horizontal 3AG (6.3 x 32mm) Holder	45.7	27.94	1.90	6.3	16	WK6228-ND*	1.42	1.31	.99	8100000005
4	Horizontal (5 x 20mm) Holder	32.0	12.7	1.80	6.3	16	WK6232-ND*	.81	.76	.57	8300000005
5	Panel Mount 3AG (6.3 x 32mm) Holder	45.7	—	—	10	16	WK6227-ND*	1.17	1.08	.81	8000000005
6	Panel Mount (5 x 20mm) Holder	32.0	—	—	6.3	16	WK6231-ND*	.94	.87	.65	8200000005
7	3AG (6.3 x 32mm) Fuse Cap	33.8	9.20	—	—	—	WK6230-ND*	.86	.79	.60	8160000005
8	(5 x 20mm) Fuse Cap	20.6	9.20	—	—	—	WK6234-ND*	.60	.56	.42	8350000005
9	PC Mount (5 x 20mm) Holder	—	—	—	6.3	—	WK0011-ND	.27	.25	.19	6490001009
Digi-Key® Fuseholder Kit 1 each of WK6233-ND and WK6234-ND combined in a single bag								—	—	—	—
								2.10	1.93	1.63	—

* Fuse Cap and Holder are sold separate

VISHAY Beyschlag MFU Series Thin Film Chip Fuses
0402, 0603, 0805 and 1206 Sizes

Applications: • Information technology • Telecommunications • Industrial electronics • Audio/video electronics • Automotive electronics
Features: • Advanced thin film technology • Very quick acting fuse characteristics • Outstanding stability of fusing characteristics • Precise repeatability of fusing characteristics • Compatible with lead-free and lead containing soldering processes



Type	Dimensions – mm		
	H	L	W
MFU 0402	0.32 ± 0.05	1.0 ± 0.05	0.5 ± 0.05
MFU 0603	0.45 ± 0.1/-0.05	1.55 ± 0.05	0.85 ± 0.1
MFU 0805	0.45 ± 0.1/-0.05	2.0 ± 0.1	1.25 ± 0.15
MFU 1206	0.55 ± 0.1	3.2 ± 0.1/-0.2	1.6 ± 0.15

Voltage Rating (V)	Amp Rating (A)	Digi-Key Part No.	Cut Tape Price Each			Tape & Reel Pricing 1,000	Vishay Part No.	
			1	10	100			
0402	32	.5 MFU0402.50CT-ND	.47	.44	.33	209.81	MFU0402FF00500E100	
		.63 MFU0402.63CT-ND	.47	.44	.33	209.81	MFU0402FF00630E100	
		.75 MFU0402.75CT-ND	.47	.44	.33	209.81	MFU0402FF00750E100	
		.8 MFU0402.80CT-ND	.47	.44	.33	209.81	MFU0402FF00800E100	
		1 MFU0402.100CT-ND	.36	.33	.25	156.82	MFU0402FF01000E100	
		1.25 MFU0402.125CT-ND	.36	.33	.25	156.82	MFU0402FF01250E100	
	0603	32	1.5 MFU0402.150CT-ND	.36	.33	.25	156.82	MFU0402FF01500E100
			1.6 MFU0402.160CT-ND	.36	.33	.25	156.82	MFU0402FF01600E100
			1.75 MFU0402.175CT-ND	.36	.33	.25	156.82	MFU0402FF01750E100
			2 MFU0402.200CT-ND	.36	.33	.25	156.82	MFU0402FF02000E100
			.5 MFU0603.50CT-ND	.34	.32	.24	153.19	MFU0603FF00500P100
			.63 MFU0603.63CT-ND	.34	.32	.24	151.01	MFU0603FF00630P100
0805		32	.75 MFU0603.75CT-ND	.34	.32	.24	151.01	MFU0603FF00750P100
			.8 MFU0603.80CT-ND	.34	.32	.24	151.01	MFU0603FF00800P100
			1 MFU0603.100CT-ND	.25	.24	.19	113.26	MFU0603FF01000P100
			1.25 MFU0603.125CT-ND	.25	.24	.19	113.26	MFU0603FF01250P100
			1.5 MFU0603.150CT-ND	.25	.24	.19	113.26	MFU0603FF01500P100
			1.6 MFU0603.160CT-ND	.25	.24	.19	113.26	MFU0603FF01600P100
	0805	32	1.75 MFU0603.175CT-ND	.25	.24	.19	113.26	MFU0603FF01750P100
			2 MFU0603.200CT-ND	.25	.24	.19	113.26	MFU0603FF02000P100
			2.5 MFU0603.250CT-ND	.25	.24	.19	113.26	MFU0603FF02500P100
			3 MFU0603.300CT-ND	.25	.24	.19	113.26	MFU0603FF03000P100
			3.15 MFU0603.315CT-ND	.25	.24	.19	113.26	MFU0603FF03150P100
			3.5 MFU0603.350CT-ND	.25	.24	.19	113.26	MFU0603FF03500P100
0805		32	4 MFU0603.400CT-ND	.25	.24	.19	113.26	MFU0603FF04000P100
			5 MFU0603.500CT-ND	.34	.32	.24	156.82	MFU0603FF05000P100
			.5 MFU0805.50CT-ND	.46	.43	.32	204.01	MFU0805FF00500P100
			.63 MFU0805.63CT-ND	.46	.43	.32	204.01	MFU0805FF00630P100
			.75 MFU0805.75CT-ND	.46	.43	.32	204.01	MFU0805FF00750P100
			.8 MFU0805.80CT-ND	.46	.43	.32	204.01	MFU0805FF00800P100

Voltage Rating (V)	Amp Rating (A)	Digi-Key Part No.	Cut Tape Price Each			Tape & Reel Pricing 1,000	Vishay Part No.	
			1	10	100			
0805	32	1 MFU0805.100CT-ND	.34	.32	.25	153.19	MFU0805FF01000P100	
		1.25 MFU0805.125CT-ND	.34	.32	.25	153.19	MFU0805FF01250P100	
		1.5 MFU0805.150CT-ND	.34	.32	.25	153.19	MFU0805FF01500P100	
		1.6 MFU0805.160CT-ND	.34	.32	.25	153.19	MFU0805FF01600P100	
		1.75 MFU0805.175CT-ND	.34	.32	.25	153.19	MFU0805FF01750P100	
		2 MFU0805.200CT-ND	.34	.32	.25	153.19	MFU0805FF02000P100	
	1206	63	2.5 MFU0805.250CT-ND	.34	.32	.25	153.19	MFU0805FF02500P100
			3 MFU0805.300CT-ND	.34	.32	.25	153.19	MFU0805FF03000P100
			3.15 MFU0805.315CT-ND	.34	.32	.25	153.19	MFU0805FF03150P100
			3.5 MFU0805.350CT-ND	.34	.32	.25	153.19	MFU0805FF03500P100
			4 MFU0805.400CT-ND	.34	.32	.25	153.19	MFU0805FF04000P100
			5 MFU0805.500CT-ND	.46	.43	.33	211.27	MFU0805FF05000P100
1206	63	.5 MFU1206.50CT-ND	.56	.52	.39	249.74	MFU1206FF00500P100	
		.63 MFU1206.63CT-ND	.56	.52	.39	249.74	MFU1206FF00630P100	
		.75 MFU1206.75CT-ND	.56	.52	.39	249.74	MFU1206FF00750P100	
		.8 MFU1206.80CT-ND	.56	.52	.39	249.74	MFU1206FF00800P100	
		1 MFU1206.100CT-ND	.42	.39	.30	186.58	MFU1206FF01000P100	
		1.25 MFU1206.125CT-ND	.42	.39	.30	186.58	MFU1206FF01250P100	
	1206	63	1.5 MFU1206.150CT-ND	.42	.39	.30	186.58	MFU1206FF01500P100
			1.6 MFU1206.160CT-ND	.42	.39	.30	186.58	MFU1206FF01600P100
			1.75 MFU1206.175CT-ND	.42	.39	.30	186.58	MFU1206FF01750P100
			2 MFU1206.200CT-ND	.42	.39	.30	186.58	MFU1206FF02000P100
			2.5 MFU1206.250CT-ND	.42	.39	.30	186.58	MFU1206FF02500P100
			3 MFU1206.300CT-ND	.42	.39	.30	186.58	MFU1206FF03000P100
1206	63	3.15 MFU1206.315CT-ND	.42	.39	.30	186.58	MFU1206FF03150P100	
		3.5 MFU1206.350CT-ND	.42	.39	.30	186.58	MFU1206FF03500P100	
		4 MFU1206.400CT-ND	.42	.39	.30	186.58	MFU1206FF04000P100	
		5 MFU1206.500CT-ND	.42	.39	.30	186.58	MFU1206FF05000P100	
		6.3 MFU1206.630CT-ND	.57	.53	.40	259.18	MFU1206FF06300P100	

‡ For Tape and Reel part number, change CT-ND to TR-ND.

Digi-Reel® Most SMT cutdown parts are available on a Digi-Reel®. For Digi-Reel part number, change 1-ND to 6-ND or CT-ND to DKR-ND. See Digi-Key® Services on page 2 for additional information.

Free shipping on orders over £50! All prices are in British pound sterling and include duties.

uk.digikey.com — FREEPHONE: 0-800-587-0991 • 0-800-904-7786 — FREEFAX: 0-800-587-0992 • 0-800-904-7783

(UK091) 1955