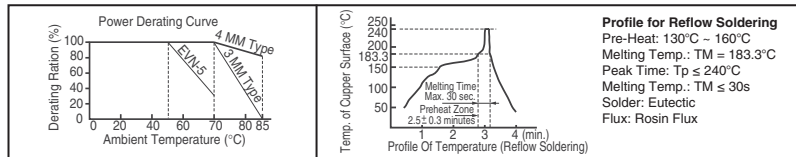
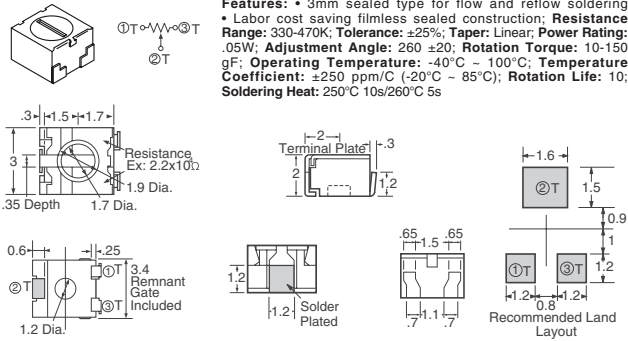


Panasonic®

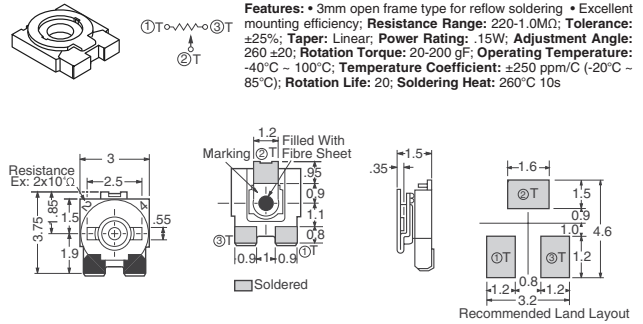
Surface Mount Trimmer Potentiometers



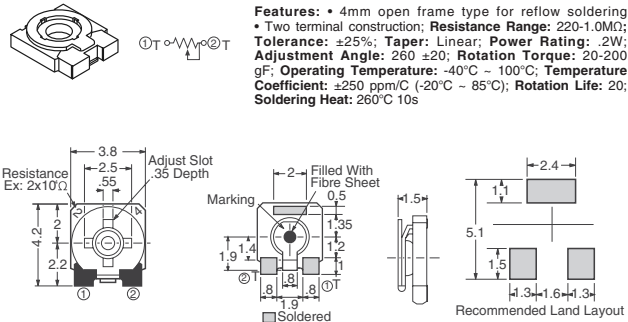
Series P7J – Panasonic Series #EVM-7JSX30BXX



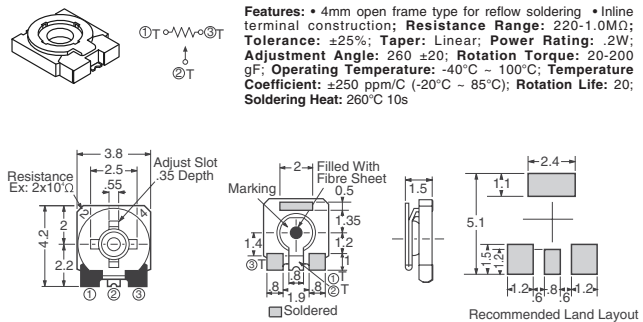
Series P1S – Panasonic Series #EVM-1SSX50BXX



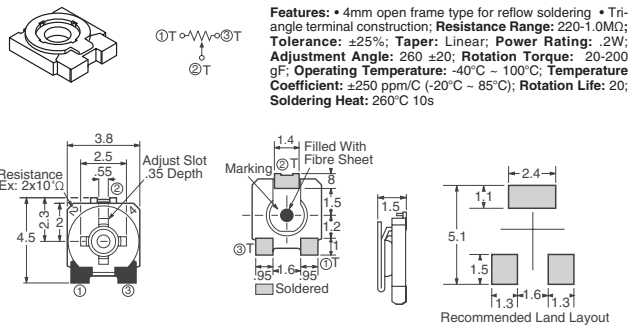
Series P1G – Panasonic Series #EVM-1GSX30BXX



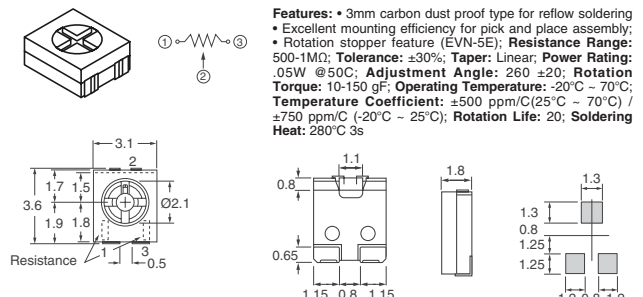
Series P1E – Panasonic Series #EVM-1ESX30BXX



Series P1D – Panasonic Series #EVM-1DSX30BXX



Series P5C – Panasonic Series #EVM-5CSX50BXX* Series P5E – Panasonic Series #EVM-5ESX50BXX



G

Digi-Key Part No.	Cut Tape Pricing	Digi-Key Part No.	Tape and Reel Pricing	Panasonic Part No.
	1 10 100		1,000 2,000	
P7J□□□CT-ND†	.32 2.98 24.51	P7J□□□TR-ND†	191.48 —	EVM-7JSX30BXX*
P1S□□□CT-ND†	.23 2.18 17.89	P1S□□□TR-ND†	— 139.76/M	EVM-1SSX50BXX*
P1G□□□CT-ND†	.23 2.07 16.96	P1G□□□TR-ND†	132.50 —	EVM-1GSX30BXX*
P1E□□□CT-ND†	.39 3.27 30.06	P1E□□□TR-ND†	201.10 —	EVM-1ESX30BXX*
P1D□□□CT-ND†	.36 3.00 27.55	P1D□□□TR-ND†	184.40 —	EVM-1DSX30BXX*
P5C□□□CT-ND†	.23 1.85 17.03	P5C□□□TR-ND†	— 113.98/M	EVN-5CSX50BXX*
P5E□□□CT-ND†	.20 1.71 15.70	P5E□□□TR-ND†	— 105.27/M	EVN-5ESX50BXX*

◆ RoHS Compliant * For assistance with Panasonic Part Number please call Digi-Key.
 † For complete number, substitute corresponding code (from chart) for □□□.

Digi-Key® SMT Trimmer Potentiometers Kits	
P1E-KIT-ND	10 each of Series P1E, values 100 ~ 1.0M (130 pieces) 31.91
P1D-KIT-ND	10 each of Series P1D, values 100 ~ 1.0M (130 pieces) 31.91

Code Resistance Value For P7J Series						
Code (Value)	Code (Value)	Code (Value)	Code (Value)	Code (Value)	Code (Value)	Code (Value)
331 (330)	332 (3.3K)	333 (33K)	224 (220K)	334 (330K)	474 (470K)	
Code Resistance Value For P1 / P5C Series						
Code (Value)	Code (Value)	Code (Value)	Code (Value)	Code (Value)	Code (Value)	Code (Value)
201 (200)	501 (500)	102 (1.0K)	202 (2.0K)	502 (5.0K)	103 (10K)	203 (20K)
503 (50K)	104 (100K)	204 (200K)	504 (500K)	105 (1.0M)		
Code Resistance Value For P5E Series						
Code (Value)	Code (Value)	Code (Value)	Code (Value)	Code (Value)	Code (Value)	Code (Value)
501 (500)	102 (1K)	202 (2K)	502 (5K)	103 (10K)	203 (20K)	503 (50K)
104 (100K)	204 (200K)	504 (500K)	105 (1M)			

(Continued)

Free shipping on orders over £50! All prices are in British pound sterling and include duties.

uk.digikey.com — FREEPHONE: 0-800-587-0991 • 0-800-904-7786 — FREEFAX: 0-800-587-0992 • 0-800-904-7783

(UK091) 1887