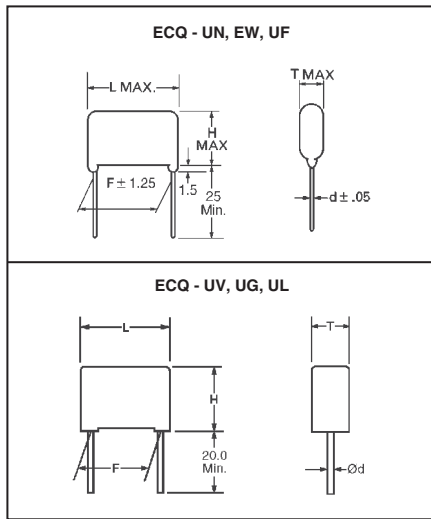


Panasonic® Interference Suppressor Capacitors X-Y Series-Metallized Film



Electrical Specifications:

- Operating Temperature Range: -40°C – 85°C (-40°C – 100°C for ECQ-UG/UL)
- Capacitance Tolerance: ±20% (M)
- Dissipation Factor: Less than 1.0% (at 20°C 1 kHz)

ECQ-UN Series: Rated Voltage: 250VAC. Standards: UL (UL1414); Across-The-Line Capacitor, Antenna Coupling and Line-By-Pass Capacitors. File No. E62674. CSA (CSA C22.2); No. 0-M1982, No. 1-M1981. Across-The-Line, antenna-isolation and line-by-pass capacitor. File No. LR35752. VDE (VED0565-1); class X2 File No. 4811.6-4670-1041. SEV (SEV1055); class X, Ref No. 89, 5 50251.05. DEMKO (AFSNT21); class X2, Ref No. 70726EC. SEMKO (SS4430414); class X2 Reg No. 8602146. NEMKO (NEMKO); class X2 Ref No. E 25082 02. EI (IEC384-14); class X2, Reg No. 062521 01-14(0.001-0.012µF), Reg No. 062522 01-15(0.015-0.22µF).

ECQ-EW Series: Rated Voltage: 250VAC. Standards: UL (UL1283); Electromagnetic Interference Filters Class X File No. E79502. SEMKO (SS 443 04 14); class X2 Reg No. 8932009. DEMKO (AFSNT21); class X2 Ref No. 94911EC. VDE (VDE0565-1); class X2 File No. 4811.6-4670-1035.

ECQ-UF Series: Rated Voltage: 250VAC. Standards: SEMKO (SEMKO 101) Reg. No. 61-89271/1-4. DEMKO (AFSNT 21); class Y/X, Ref No. 61254EC. VDE (VDE 0565-1) class Y/X2, File No. 4811-6-1-4670-1032. BSI (BS415); certified No. 6026. UL (UL1414) Across-The-Line Capacitor & Antenna-Coupling and Line-by-pass. File No. E62674. CSA (CSA C22.2) No. 0-M1982, No.1-M1981, Across-The-Line, Antenna-Isolation and Line-by-Pass Capacitor, File No. LR35752.

ECQ-UV Series: Rated Voltage: 250VAC. Standards: UL (UL1414); Across-The-Line Capacitors, Antenna-Coupling and Line-by-Pass Capacitors. File No. E62674. (UL1283); Electromagnetic Interference Filters, File No. E79502. CSA (CSA C22.2); Across-The-Line, Antenna-Isolation and Line-by-Pass Capacitor, No. 0-M1982, No. 1-M1981. SEMKO (SS 443 04 14); class X2/Y Reg No. 8804123. DEMKO (AFSNT21); class X2/Y Ref No. 89275EC. NEMKO (NEMKO 132); class X2 Ref No. 37892, class Y Ref No. 37894. EI (IEC 384/14); class X2/Y Reg No. 110918-01-02. VDE (VDE 0565-1); class X2/Y File No. 4811.6-4670-1070. SEV (SEV 1055); class X ref No. 88, 1 00318,01.

ECQ-UG — Class X2 Series: Rated Voltage: 250/275VAC. Standards: UL (UL1414); Across-The-Line Capacitors, Antenna-Coupling and Line-by-Pass Capacitors. CSA (Standard C22.2 No. 1-94); Across-The-Line Capacitors, Antenna-Isolation and Line-by-Pass Capacitors. SEMKO, DEMKO, NEMKO, FIMCO, VDE, SEV; IEC384-14, 1993, EN132400, Class X2.

ECQ-UG — Class X1 Series: Rated Voltage: 250/300VAC. Standards: UL (UL1414); Across-The-Line Capacitors, Antenna-Coupling and Line-by-Pass Capacitors. CSA (Standard C22.2 No. 1-94); Across-The-Line Capacitors, Antenna-Isolation and Line-by-Pass Capacitors. FIMCO and VDE; IEC384-14, 1993, A1 - 1995, EN132400, Class X1.

ECQ-UL Series: Rated Voltage: 250/275VAC. Standards: UL (UL1414); Across-The-Line Capacitors, Antenna-Coupling and Line-by-Pass Capacitors. CSA (Standard C22.2 No. 1-94); Across-The-Line Capacitors, Antenna-Isolation and Line-by-Pass Capacitors. VDE; IEC384-14, 1993, EN132400, Class X2.

F

Voltage (VAC)	Cap. (µF)	Dimensions (mm)					Digi-Key Part No.	Pricing			Panasonic Part No.
		L	T	H	F	d		1	10	100	
ECQ-UN — RoHS Compliant											
250	0.0047	17.0	6.5	13.5	13.5	0.6	P4600-ND†	.68	5.79	48.28	ECQ-U2A472MN
	0.01	17.0	7.0	14.0	13.5	0.6	P4601-ND†	.68	5.79	48.28	ECQ-U2A103MN
	0.047	25.5	7.0	14.0	21.5	0.6	P4602-ND†	.86	7.32	60.98	ECQ-U2A473MN
	0.1	30.5	7.5	17.01	26.5	0.8	P4603-ND†	1.05	8.97	74.78	ECQ-U2A104MN
	0.047	17.0	7.5	13.0	13.5	0.6	P4604-ND†	.57	4.94	41.20	ECQ-E2A473MW
250	0.1	24.0	8.0	13.5	20.5	0.8	P4605-ND†	.69	5.88	49.01	ECQ-E2A104MW
	0.22	24.0	10.5	17.5	20.5	0.8	P4606-ND†	.97	8.34	69.51	ECQ-E2A224MW
	0.47	29.0	13.0	20.5	25.5	0.8	P4607-ND†	1.30	11.13	92.75	ECQ-E2A474MW
	0.0047	20.0	7.0	14.5	16.5	0.6	P4608-ND†	.65	5.62	46.83	ECQ-U2A472MF
0.01	23.0	7.5	15.0	19.5	0.6	P4609-ND†	.69	5.88	49.01	ECQ-U2A103MF	
ECQ-UF — RoHS Compliant											
250	0.001	17.5	4.0	10.5	15.0	0.6	P4617-ND	.55	4.76	39.66	ECQ-U2A102MV
	0.0012	17.5	4.0	10.5	15.0	0.6	P4618-ND	.55	4.76	39.66	ECQ-U2A122MV
	0.0015	17.5	4.0	10.5	15.0	0.6	P4619-ND	.55	4.76	39.66	ECQ-U2A152MV
	0.0018	17.5	4.0	10.5	15.0	0.6	P4620-ND	.55	4.76	39.66	ECQ-U2A182MV
	0.0022	17.5	4.0	10.5	15.0	0.6	P4621-ND	.55	4.76	39.66	ECQ-U2A222MV
250	0.0027	17.5	4.0	10.5	15.0	0.6	P4622-ND	.55	4.76	39.66	ECQ-U2A272MV
	0.0033	17.5	4.0	10.5	15.0	0.6	P4623-ND	.55	4.76	39.66	ECQ-U2A332MV
	0.0039	17.5	4.0	10.5	15.0	0.6	P4624-ND	.55	4.76	39.66	ECQ-U2A392MV
	0.0047	17.5	4.0	10.5	15.0	0.6	P4625-ND	.55	4.76	39.66	ECQ-U2A472MV
	0.0056	17.5	4.0	10.5	15.0	0.6	P4626-ND	.55	4.76	39.66	ECQ-U2A562MV
	0.0068	17.5	4.0	10.5	15.0	0.6	P4627-ND	.55	4.76	39.66	ECQ-U2A682MV
	0.0082	17.5	4.0	10.5	15.0	0.6	P4628-ND	.55	4.76	39.66	ECQ-U2A822MV
	0.01	17.5	4.0	10.5	15.0	0.6	P4629-ND	.55	4.76	39.66	ECQ-U2A103MV
	0.012	17.5	4.0	10.5	15.0	0.6	P4630-ND	.55	4.76	39.66	ECQ-U2A123MV
	0.015	17.5	4.0	10.5	15.0	0.6	P4631-ND	.55	4.76	39.66	ECQ-U2A153MV
	0.018	17.5	4.5	10.5	15.0	0.6	P4632-ND	.55	4.76	39.66	ECQ-U2A183MV
	0.022	17.5	4.5	10.5	15.0	0.6	P4633-ND	.55	4.76	39.66	ECQ-U2A223MV
	0.027	17.5	4.5	13.0	15.0	0.6	P4634-ND	.55	4.76	39.66	ECQ-U2A273MV
	0.033	17.5	4.5	13.0	15.0	0.6	P4635-ND	.55	4.76	39.66	ECQ-U2A333MV
	0.039	17.5	5.5	12.5	15.0	0.6	P4636-ND	.55	4.76	39.66	ECQ-U2A393MV
0.047	17.5	5.5	12.5	15.0	0.6	P4637-ND	.65	5.59	46.56	ECQ-U2A473MV	
0.056	17.5	7.0	14.0	15.0	0.6	P4638-ND	.57	4.86	40.55	ECQ-U2A563MV	
0.068	17.5	7.0	14.0	15.0	0.6	P4639-ND	.57	4.86	40.55	ECQ-U2A683MV	
0.082	17.5	8.0	15.0	15.0	0.6	P4640-ND	.57	4.86	40.55	ECQ-U2A823MV	
0.1	17.5	8.0	15.0	15.0	0.6	P4610-ND	.57	4.86	40.55	ECQ-U2A104MV	
0.12	25.5	6.5	16.5	22.5	0.6	P4641-ND	.82	7.03	58.65	ECQ-U2A124MV	
0.15	25.5	6.5	16.5	22.5	0.8	P4611-ND	.86	7.35	61.27	ECQ-U2A154MV	
0.18	25.5	8.5	17.0	22.5	0.6	P4642-ND	.86	7.35	61.27	ECQ-U2A184MV	
0.22	25.5	8.5	17.0	22.5	0.8	P4612-ND	.93	7.94	66.17	ECQ-U2A224MV	
0.27	30.5	10.0	18.0	27.5	0.6	P4643-ND	1.30	11.12	92.67	ECQ-U2A274MV	
0.33	30.5	10.0	18.0	27.5	0.8	P4613-ND	1.30	11.17	93.06	ECQ-U2A334MV	
0.39	30.5	12.0	20.0	27.5	0.6	P4644-ND	1.30	11.17	93.06	ECQ-U2A394MV	
0.47	30.5	12.0	20.0	27.5	0.8	P4614-ND	1.45	12.42	103.53	ECQ-U2A474MV	
0.56	30.5	13.5	23.5	27.5	0.6	P4645-ND	1.50	12.85	107.09	ECQ-U2A564MV	
0.68	30.5	13.5	23.5	27.5	0.8	P4615-ND	1.71	14.68	122.32	ECQ-U2A684MV	
0.82	30.5	16.5	26.5	27.5	0.6	P4646-ND	1.93	16.53	137.76	ECQ-U2A824MV	
1.0	30.5	16.5	26.5	27.5	0.8	P4616-ND	2.00	17.13	142.75	ECQ-U2A105MV	
ECQ-UG — Class X2											
250/275	0.033	15.0	6.0	13.0	12.5	0.60	P10520-ND	.68	5.86	45.90	ECQ-U2A333MG
	0.047	15.0	6.0	13.0	12.5	0.60	P10521-ND	.70	6.05	47.43	ECQ-U2A473MG
	0.068	15.0	8.0	15.0	12.5	0.60	P10522-ND	.78	6.66	52.21	ECQ-U2A683MG
	0.1	15.0	8.0	16.5	12.5	0.60	P10523-ND	.78	6.69	52.38	ECQ-U2A104MG
	0.1	17.5	6.0	15.0	15.0	0.80	P10524-ND	.66	5.63	44.14	ECQ-U2A104BC1

† RoHS Compliant

† P4650-KIT-ND Digi-Key® X-Y Series Capacitors Kit 10 each of all values denoted. (100 pcs.) Notebook style box included.43.52

Voltage (VAC)	Cap. (µF)	Dimensions (mm)					Digi-Key Part No.	Pricing			Panasonic Part No.
		L	T	H	F	d		1	10	100	
250/275	0.15	17.5	8.0	16.5	15.0	0.80	P10525-ND	.97	8.32	65.17	ECQ-U2A154MG
	0.22	17.5	9.0	17.5	15.0	0.80	P10526-ND	1.01	8.62	67.56	ECQ-U2A224MG
	0.33	25.5	9.0	18.5	22.5	0.80	P10527-ND	1.67	14.29	111.92	ECQ-U2A334MG
	0.47	25.5	10.5	20.0	22.5	0.80	P10528-ND	1.71	14.59	114.31	ECQ-U2A474MG
	0.68	25.5	12.5	22.0	22.5	0.80	P10529-ND	2.32	19.86	156.60	ECQ-U2A684MG
	1.0	25.5	15.5	24.5	22.5	0.80	P10530-ND	2.58	22.11	173.17	ECQ-U2A105MG
	ECQ-UG — Class X1										
250/300	0.01	15.0	5.0	11.5	12.5	0.60	P11110-ND	.27	2.31	18.08	ECQ-U3A103MG
	0.015	15.0	5.0	11.5	12.5	0.60	P11111-ND	.27	2.31	18.08	ECQ-U3A153MG
	0.022	15.0	5.0	11.5	12.5	0.60	P11112-ND	.27	2.31	18.08	ECQ-U3A223MG
	0.033	15.0	6.0	13.0	12.5	0.60	P11113-ND	.27	2.31	18.08	ECQ-U3A333MG
	0.047	15.0	6.0	13.0	12.5	0.60	P11114-ND	.27	2.31	18.08	ECQ-U3A473MG
	0.068	15.0	8.0	15.0	12.5	0.60	P11115-ND	.27	2.31	18.08	ECQ-U3A683MG
	0.1	15.0	8.0	15.0	12.5	0.60	P11116-ND	.27	2.31	18.08	ECQ-U3A104MG
	0.15	17.5	8.0	16.5	15.0	0.80	P11117-ND	.37	3.18	24.91	ECQ-U3A154MG
	0.22	17.5	9.0	17.5	15.0	0.80	P11118-ND	.44	3.81	29.86	ECQ-U3A224MG
	0.33	25.5	9.0	18.5	22.5	0.80	P11119-ND	.67	5.71	44.70	ECQ-U3A334MG
	0.47	25.5	10.5	20.0	22.5	0.80	P11120-ND	.89	7.60	59.55	ECQ-U3A474MG
	0.68	25.5	12.5	22.0	22.5	0.80	P11121-ND	1.18	10.13	79.34	ECQ-U3A684MG
	1.0	27.0	16.5	25.5	22.5	0.80	P11122-ND	1.47	12.65	99.13	ECQ-U3A105MG
	ECQ-UL										
	250/275	0.001	15.0	5.0	11.5	12.5	0.60	P10988-ND	.15	1.24	9.73
0.0012		15.0	5.0	11.5	12.5	0.60	P10989-ND	.15	1.24	9.73	ECQ-U2A122ML
0.0015		15.0	5.0	11.5	12.5	0.60	P10990-ND	.15	1.24	9.73	ECQ-U2A152ML
0.0018		15.0	5.0	11.5	12.5	0.60	P10991-ND	.15	1.24	9.73	ECQ-U2A182ML
0.0022		15.0	5.0	11.5	12.5	0.60	P10992-ND	.15	1.24	9.73	ECQ-U2A222ML
0.0027		15.0	5.0	11.5	12.5	0.60	P10993-ND	.15	1.24	9.73	ECQ-U2A272ML