

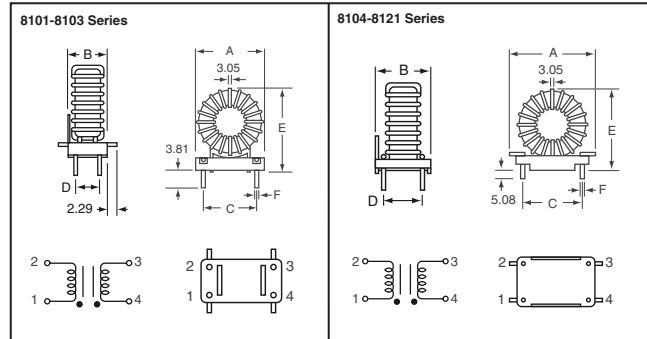
High Current Toroid Inductors (Cont.)



Fig.	L (µH) ±15% @ 1kHz	Idc (A)	L (µH) ±15% @ I Rated	DCR Max. Ω	Dim. (mm) A B Max. Min.	Digi-Key Part No.	Price Each 1 10	J.W. Miller Part No.
3A	27	15.6	15.7	0.008	29.97 1.68	M8834-ND	2.90 2.18	2306-H-RC
	47	10.7	29.0	0.016	28.96 1.35	M8835-ND	2.90 2.18	2309-H-RC
	56	10.2	33.7	0.017	28.96 1.35	M8836-ND	2.90 2.18	2310-H-RC
	68	7.7	45.2	0.030	28.70 1.07	M8837-ND	2.90 2.18	2311-H-RC
	100	7.0	63.1	0.037	28.70 1.07	M8838-ND	2.90 2.18	2312-H-RC
	120	6.7	73.9	0.040	28.70 1.07	M8839-ND	2.90 2.18	2313-H-RC
	180	4.8	118.9	0.078	28.45 0.86	M8840-ND	2.90 2.18	2315-H-RC
	220	5.8	123.8	0.054	29.72 1.07	M8841-ND	2.90 2.18	2316-H-RC
	330	5.2	174.1	0.067	29.72 1.07	M8842-ND	2.90 2.18	2318-H-RC
	470	5.0	200.2	0.072	29.72 1.07	M8843-ND	2.90 2.18	2319-H-RC
3B	39	3.8	271.4	0.13	13.46 0.86	M8884-ND	2.90 2.18	2320-H-RC
	56	3.6	314.8	0.14	13.46 0.86	M8845-ND	2.90 2.18	2321-H-RC
	68	3.4	370.7	0.15	13.46 0.86	M8846-ND	2.90 2.18	2322-H-RC
	100	2.4	593.6	0.30	13.46 0.69	M8847-ND	2.90 2.18	2324-H-RC
	10	20.0	6.7	0.005	14.22 1.68	M8879-ND	2.90 2.18	2301-V-RC
	12	19.1	7.8	0.005	14.22 1.68	M8880-ND	2.90 2.18	2302-V-RC
	22	16.4	13.2	0.007	14.22 1.68	M8881-ND	2.90 2.18	2305-V-RC
	27	15.6	15.7	0.008	14.22 1.68	M8882-ND	2.90 2.18	2306-V-RC
	33	11.7	21.3	0.013	13.46 1.35	M8883-ND	2.90 2.18	2307-V-RC
	39	11.2	24.7	0.014	13.46 1.35	M8884-ND	2.90 2.18	2308-V-RC
47	10.7	29.0	0.016	13.46 1.35	M8885-ND	2.90 2.18	2309-V-RC	
56	10.2	33.7	0.017	13.46 1.35	M8886-ND	2.90 2.18	2310-V-RC	
68	7.7	45.2	0.030	13.21 1.07	M8887-ND	2.90 2.18	2311-V-RC	
100	7.0	63.1	0.037	13.21 1.07	M8888-ND	2.90 2.18	2312-V-RC	
120	6.7	73.9	0.040	13.21 1.07	M8889-ND	2.90 2.18	2313-V-RC	
150	5.0	101.4	0.071	12.95 0.86	M8890-ND	2.90 2.18	2314-V-RC	
270	5.5	147.2	0.060	14.22 1.07	M8891-ND	2.90 2.18	2317-V-RC	
330	5.2	174.1	0.067	14.22 1.07	M8892-ND	2.90 2.18	2318-V-RC	
390	5.0	200.2	0.072	14.22 1.07	M8893-ND	2.90 2.18	2319-V-RC	
470	3.8	271.4	0.13	13.72 0.86	M8894-ND	2.90 2.18	2320-V-RC	
1000	2.4	593.6	0.30	13.46 0.69	M8895-ND	2.90 2.18	2324-V-RC	
Low Loss								
2100LL Series								
1A	10	11.4	5.2	0.005	20.32 1.35	M1400-ND	2.54 1.91	2100LL-100H-RC
	12	10.9	6.1	0.006	20.32 1.35	M1401-ND	2.54 1.91	2100LL-120H-RC
	15	10.5	7.3	0.006	20.32 1.35	M1402-ND	2.54 1.91	2100LL-150H-RC
	18	10.1	8.5	0.007	20.32 1.35	M1403-ND	2.54 1.91	2100LL-180H-RC
	22	7.5	11.8	0.012	19.81 1.07	M1404-ND	2.54 1.91	2100LL-220H-RC
	27	7.3	14.2	0.012	19.81 1.07	M1405-ND	2.54 1.91	2100LL-270H-RC
	33	6.9	16.6	0.014	19.81 1.07	M1406-ND	2.54 1.91	2100LL-330H-RC
	39	6.6	18.8	0.015	19.81 1.07	M1407-ND	2.54 1.91	2100LL-390H-RC
	47	5.2	25.3	0.024	19.30 0.86	M1408-ND	2.54 1.91	2100LL-470H-RC
	56	5.0	29.3	0.026	19.30 0.86	M1409-ND	2.54 1.91	2100LL-560H-RC
1A	68	4.7	34.0	0.030	19.30 0.86	M1410-ND	2.54 1.91	2100LL-680H-RC
	82	4.6	39.9	0.032	19.30 0.86	M1411-ND	2.54 1.91	2100LL-820H-RC
	100	4.3	46.2	0.036	19.30 0.86	M1412-ND	2.54 1.91	2100LL-101H-RC
	120	4.1	53.5	0.039	19.30 0.86	M1413-ND	2.54 1.91	2100LL-121H-RC
	150	3.9	63.8	0.043	19.30 0.86	M1414-ND	2.54 1.91	2100LL-151H-RC
	180	3.7	73.3	0.048	19.30 0.86	M1415-ND	2.54 1.91	2100LL-181H-RC
	220	3.5	85.1	0.053	19.30 0.86	M1416-ND	2.54 1.91	2100LL-221H-RC
	270	2.7	124.2	0.093	18.80 0.69	M1417-ND	2.54 1.91	2100LL-271H-RC
	330	2.5	145.1	0.103	18.80 0.69	M1418-ND	2.54 1.91	2100LL-331H-RC
	390	2.4	165.4	0.112	18.80 0.69	M1419-ND	2.54 1.91	2100LL-391H-RC
470	2.3	190.1	0.124	19.30 0.69	M1420-ND	2.54 1.91	2100LL-471H-RC	
2200LL Series								
2A	10	14.3	6.0	0.006	26.67 1.35	M1421-ND	3.45 2.59	2200LL-100H-RC
	12	14.2	6.9	0.006	26.67 1.35	M1422-ND	3.45 2.59	2200LL-120H-RC
	15	13.6	8.3	0.007	26.67 1.35	M1423-ND	3.45 2.59	2200LL-150H-RC
	18	13.1	9.7	0.007	26.67 1.35	M1424-ND	3.45 2.59	2200LL-180H-RC
	22	12.6	11.5	0.008	26.67 1.35	M1425-ND	3.45 2.59	2200LL-220H-RC
	27	11.8	13.5	0.009	26.67 1.35	M1426-ND	3.45 2.59	2200LL-270H-RC
	33	11.1	15.7	0.010	26.67 1.35	M1427-ND	3.45 2.59	2200LL-330H-RC
	39	10.8	18.1	0.011	26.67 1.35	M1428-ND	3.45 2.59	2200LL-390H-RC
	47	10.3	20.9	0.012	26.67 1.35	M1429-ND	3.45 2.59	2200LL-470H-RC
	56	9.8	23.9	0.013	26.67 1.35	M1430-ND	3.45 2.59	2200LL-560H-RC
2A	68	7.6	33.9	0.022	26.16 1.07	M1431-ND	3.45 2.59	2200LL-680H-RC
	82	7.1	39.0	0.024	26.16 1.07	M1432-ND	3.45 2.59	2200LL-820H-RC
	100	6.8	45.6	0.027	26.16 1.07	M1433-ND	3.45 2.59	2200LL-101H-RC
	120	5.1	63.4	0.047	25.65 0.86	M1434-ND	3.45 2.59	2200LL-121H-RC
	150	4.9	76.0	0.052	25.65 0.86	M1435-ND	3.45 2.59	2200LL-151H-RC
	180	4.7	88.5	0.057	25.65 0.86	M1436-ND	3.45 2.59	2200LL-181H-RC
	220	4.4	103.1	0.063	25.65 0.86	M1437-ND	3.45 2.59	2200LL-221H-RC
	270	4.0	141.9	0.077	25.65 0.69	M1439-ND	3.45 2.59	2200LL-331H-RC
	390	3.8	161.2	0.084	25.65 0.69	M1440-ND	3.45 2.59	2200LL-391H-RC
	470	3.7	185.7	0.092	25.65 0.69	M1441-ND	3.45 2.59	2200LL-471H-RC
High Temperature								
2100HT Series								
1A	10	9.9	7.6	0.012	19.30 1.07	M8917-ND	1.91 1.37	2100HT-100-H-RC
	15	9.1	11.0	0.014	19.30 1.07	M8918-ND	1.91 1.37	2100HT-150-H-RC
	33	6.1	24.0	0.031	20.07 0.86	M8919-ND	1.91 1.37	2100HT-330-H-RC
	47	5.6	33.1	0.036	20.07 0.86	M8920-ND	1.91 1.37	2100HT-470-H-RC
	100	4.6	64.5	0.053	20.07 0.86	M8921-ND	1.91 1.37	2100HT-101-H-RC
	47	5.6	33.1	0.036	8.89 0.86	M8922-ND	1.91 1.37	2100HT-470-V-RC

Fig.	L (µH) ±15% @ 1kHz	Idc (A)	L (µH) ±15% @ I Rated	DCR Max. Ω	Dim. (mm) A B Max. Min.	Digi-Key Part No.	Price Each 1 10	J.W. Miller Part No.
2A	12	10.9	9.4	0.015	22.35 1.35	M8923-ND	2.37 1.69	2200HT-120-H-RC
	39	8.1	27.4	0.026	22.10 1.07	M8924-ND	2.03 1.52	2200HT-390-H-RC
	100	5.3	68.9	0.061	22.86 0.86	M8925-ND	2.03 1.52	2200HT-101-H-RC
	180	4.6	115.6	0.082	22.86 0.86	M8926-ND	2.03 1.52	2200HT-181-H-RC
2300HT Series								
3A	10	23.3	7.2	0.006	29.97 1.68	M8927-ND	3.11 2.34	2300HT-100-H-RC
	33	13.6	23.0	0.015	28.96 1.35	M8928-ND	3.11 2.34	2300HT-330-H-RC
	47	10.0	34.7	0.028	28.70 1.07	M8929-ND	3.11 2.34	2300HT-470-H-RC
	150	7.5	97.9	0.050	29.72 1.07	M8930-ND	3.11 2.34	2300HT-151-H-RC
	220	6.8	136.6	0.061	29.72 1.07	M8931-ND	3.11 2.34	2300HT-221-H-RC
	330	4.9	218.3	0.10	29.46 0.94	M8932-ND	3.11 2.34	2300HT-331-H-RC
470	4.5	297.9	0.14	29.46 0.94	M8933-ND	3.11 2.34	2300HT-471-H-RC	
3B	10	23.3	7.2	0.006	14.22 1.68	M8934-ND	3.11 2.34	2300HT-100-V-RC
	22	19.0	14.5	0.008	14.22 1.68	M8935-ND	3.11 2.34	2300HT-220-V-RC
	47	10.0	34.7	0.028	13.21 1.07	M8936-ND	3.11 2.34	2300HT-470-V-RC

Common Mode Choke with Header 8100 Series



L (mH) Min. @ 1kHz	I Max. (A)	R, dc Max. (Ω)	Dimensions (mm)						Digi-Key Part No.	Price Each 1 10	J.W. Miller Part No.
			A Max.	B ±0.01	C ±0.015	D ±0.015	E Max.	F Max.			
4	1.7	0.173	19.30	10.79	15.24	6.35	22.86	1.02	M8896-ND	4.14 3.11	8101-RC
2.5	2.4	0.09	19.30	10.79	15.24	6.35	22.86	1.02	M8897-ND	4.14 3.11	8102-RC
1	4.8	0.022	19.30	10.79	15.24	6.35	22.86	1.02	M8898-ND	4.14 3.11	8103-RC
10	2.4	0.17	30.48	15.24	20.32	10.16	30.48	1.27	M8899-ND	5.79 4.35	8104-RC
7	2.8	0.12	30.48	15.24	20.32	10.16	30.48	1.27	M8900-ND	5.79 4.35	8105-RC
5	3.7	0.07	30.48	15.24	20.32	10.16	30.48	1.27	M8901-ND	5.79 4.35	8106-RC
2	6.6	0.022	30.48	15.24	20.32	10.16	30.48	1.27	M8902-ND	5.79 4.35	8107-RC
1	10	0.01	30.48	15.24	20.32	10.16	30.48	1.27	M8903-ND	5.79 4.35	8108-RC
30	2.3	0.33	34.29	20.32	22.86	15.24	36.83	1.27	M8904-ND	9.10 6.83	8109-RC
20	2.9	0.21	34.29	20.32	22.86	15.24	36.83	1.27	M8905-ND	9.10 6.83	8110-RC
12	4	0.11	34.29	20.32	22.86	15.24	36.83	1.27	M8906-ND	9.10 6.83	8111-RC
8	5.6	0.055	34.29	20.32	22.86	15.24	36.83	1.27	M8907-ND	9.10 6.83	8112-RC
5	8.9	0.022	36.83	20.32	22.86	15.24	38.10	1.09	M8908-ND	9.10 6.83	8113-RC
2.5	12.5	0.011	36.83	20.32	22.86	15.24	38.10	1.35	M8909-ND	9.10 6.83	8114-RC
1.2	16	0.006	38.10	20.32	22.86	15.24	38.86	1.52	M8910-ND	9.10 6.83	8115-RC
50	2.3	0.45	39.37	20.32	22.86	15.24	41.91	1.27	M8911-ND	8.69 7.73	8116-RC
36	2.9	0.3	39.37	20.32	22.86	15.24	41.91	1.27	M8912-ND	8.69 7.73	8117-RC
7.3	9.3	0.032	41.91	20.32	22.86	15.24	41.91	1.09	M8913-ND	8.69 7.73	8118-RC
4	14.5	0.012	43.18	22.86	30.48	17.78	41.91	1.52	M8914-ND	8.69 7.73	8119-RC
2.4	17	0.008	43.18	22.86	30.48	17.78	41.				