

Surface Mount Dual Toroid Inductors

The PM3602 and PM3604 Series are versatile surface mount coils that can provide different functions in a single package. A bifilar method is used in the winding of these coils. The user can utilize these coils in four different ways, depending on the external connection chosen:

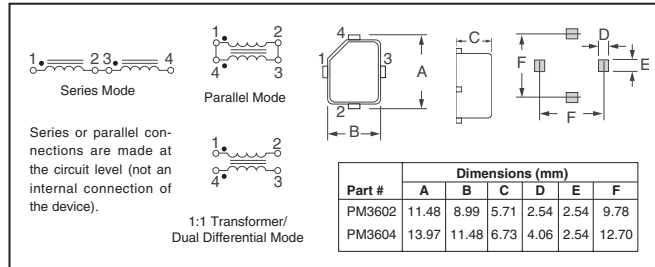
- (1) Parallel Connection: Doubles the current capacity
- (2) Series Connection: 4 times the parallel inductance
- (3) Dual Inductor: Creates two differential mode inductors
- (4) 1:1 Ratio Transformer: For isolation and some flyback applications

Features:

• Toroidal core design to minimize RFI radiation • Low loss core material • Encapsulated in case for pick and place capability • Reflow soldering • Hi-pot 500V • Operating temperature: -55°C – 125°C

Typical Applications:

• Switching power supplies • Converters • Data communications • Processor/controller circuits • Personal computers • Filters

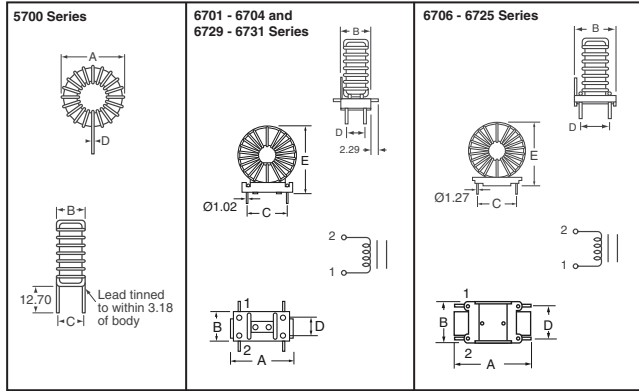


E

Parallel				Series				Digi-Key Part No.	Price Each			Digi-Key Part No.	Tape and Reel		J.W.Miller Part No.	
L ±20% μH	I _{dc} Max. Amps	L ±20% @ I _{dc} μH	R _{dc} Max. Ω	L ±20% μH	I _{dc} Max. Amps	L ±20% @ I _{dc} μH	R _{dc} Max. Ω		1	10	25		Qty.	Pricing		
PM3602 Series																
5	2.41	3.8	0.023	20	1.20	15.2	0.09	M8662-ND	1.50	1.08	.86	—	—	—	PM3602-5-B-RC	
5	2.41	3.8	0.023	20	1.20	15.2	0.09	M10135CT-ND	1.29	.97	.86	M10135TR-ND	700	449.76	PM3602-5-RC	
8	1.90	6.1	0.037	32	0.95	23.2	0.15	M10136CT-ND	1.29	.97	.86	M10136TR-ND	700	449.76	PM3602-8-RC	
10	1.83	7.4	0.040	40	0.92	29.6	0.16	M10137CT-ND	1.29	.97	.86	M10137TR-ND	700	449.76	PM3602-10-RC	
15	1.45	11.1	0.063	60	0.73	44.4	0.25	M1212-ND	1.29	1.18	1.08	—	—	—	PM3602-15-B	
15	1.45	11.1	0.063	60	0.73	44.4	0.25	M10138CT-ND	1.29	.97	.86	M10138TR-ND	700	449.76	PM3602-15-RC	
15	1.45	11.1	0.063	60	0.73	44.4	0.25	M8665-ND	1.50	1.08	.86	—	—	—	PM3602-15-B-RC	
20	1.25	15.2	0.086	80	0.63	60.8	0.34	M10139CT-ND	1.29	.97	.86	M10139TR-ND	700	449.76	PM3602-20-RC	
25	1.17	18.5	0.098	100	0.59	74.0	0.39	M10162CT-ND	1.29	.97	.86	M10162TR-ND	700	449.76	PM3602-25-RC	
33	0.98	24.8	0.14	132	0.49	99.2	0.56	M10140CT-ND	1.29	.97	.86	M10140TR-ND	700	449.76	PM3602-33-RC	
50	0.78	37.5	0.22	200	0.38	150.0	0.88	M10141CT-ND	1.29	.97	.86	M10141TR-ND	700	449.76	PM3602-50-RC	
68	0.72	49.6	0.26	272	0.36	198.4	1.04	M1217-ND	1.50	1.08	.86	—	—	—	PM3602-68-B	
68	0.72	49.6	0.26	272	0.36	198.4	1.04	M10142CT-ND	1.29	.97	.86	M10142TR-ND	700	449.76	PM3602-68-RC	
100	0.58	74.0	0.40	400	0.29	296.0	1.60	M10143CT-ND	1.29	.97	.86	M10143TR-ND	700	449.76	PM3602-100-RC	
150	0.47	111	0.60	600	0.24	444.0	2.40	M10144CT-ND	1.29	.97	.86	M10144TR-ND	700	449.76	PM3602-150-RC	
200	0.40	150.0	0.84	800	0.20	600.0	3.36	M8673-ND	1.29	.97	.86	—	—	—	PM3602-200-B-RC	
200	0.40	150.0	0.84	800	0.20	600.0	3.36	M10145CT-ND	1.29	.97	.86	M10145TR-ND	700	449.76	PM3602-200-RC	
250	0.33	192.5	1.19	1000	0.17	770.0	4.76	M1221-ND	1.29	.97	.86	—	—	—	PM3602-250-B	
250	0.33	192.5	1.19	1000	0.17	770.0	4.76	M8674-ND	1.29	.97	.86	—	—	—	PM3602-250-B-RC	
250	0.33	192.5	1.19	1000	0.17	770.0	4.76	M10146CT-ND	1.29	.97	.86	M10146TR-ND	700	449.76	PM3602-250-RC	
300	0.32	225.0	1.31	1200	0.16	900.0	5.24	M10147CT-ND	1.29	.97	.86	M10147TR-ND	700	449.76	PM3602-300-RC	
PM3604 Series																
5	3.30	3.8	0.019	20	1.65	15.2	0.076	M8676-ND	1.50	1.08	.86	—	—	—	PM3604-5-B-RC	
5	3.30	3.8	0.019	20	1.65	15.2	0.076	M10148CT-ND	1.29	.97	.86	M10148TR-ND	400	265.57	PM3604-5-RC	
8	3.00	5.8	0.024	32	1.50	23.2	0.096	M8677-ND	1.50	1.08	.86	—	—	—	PM3604-8-B-RC	
8	3.00	5.8	0.024	32	1.50	23.2	0.096	M10149CT-ND	1.29	.97	.86	M10149TR-ND	400	265.57	PM3604-8-RC	
10	2.70	7.3	0.028	40	1.35	29.2	0.11	M10150CT-ND	1.29	.97	.86	M10150TR-ND	400	265.57	PM3604-10-RC	
15	2.20	11.0	0.041	60	1.10	44.0	0.16	M8679-ND	1.50	1.08	.86	—	—	—	PM3604-15-B-RC	
15	2.20	11.0	0.041	60	1.10	44.0	0.16	M10151CT-ND	1.29	.97	.86	M10151TR-ND	400	265.57	PM3604-15-RC	
20	2.02	14.2	0.049	80	1.01	56.8	0.20	M10152CT-ND	1.29	.97	.86	M10152TR-ND	400	265.57	PM3604-20-RC	
25	1.91	17.0	0.054	100	0.96	68.0	0.22	M1228-ND	1.50	1.08	.86	—	—	—	PM3604-25-B	
25	1.91	17.0	0.054	100	0.96	68.0	0.22	M10153CT-ND	1.29	.97	.86	M10153TR-ND	400	265.57	PM3604-25-RC	
33	1.60	23.1	0.078	132	0.80	92.4	0.31	M10154CT-ND	1.29	.97	.86	M10154TR-ND	400	265.57	PM3604-33-RC	
50	1.28	35.5	0.12	200	0.64	142.0	0.48	M10155CT-ND	1.29	.97	.86	M10155TR-ND	400	265.57	PM3604-50-RC	
68	1.19	46.2	0.14	272	0.60	184.8	0.56	M10156CT-ND	1.29	.97	.86	M10156TR-ND	400	265.57	PM3604-68-RC	
100	0.98	68.0	0.21	400	0.49	272.0	0.84	M10157CT-ND	1.29	.97	.86	M10157TR-ND	400	265.57	PM3604-100-RC	
150	0.78	103.5	0.32	600	0.39	414.0	1.28	M1233-ND	1.29	.97	.86	—	—	—	PM3604-150-B	
150	0.78	103.5	0.32	600	0.39	414.0	1.28	M10158CT-ND	1.29	.97	.86	M10158TR-ND	400	265.57	PM3604-150-RC	
200	0.65	140.0	0.47	800	0.33	560.0	1.88	M10159CT-ND	1.29	.97	.86	M10159TR-ND	400	265.57	PM3604-200-RC	
250	0.60	172.5	0.53	1000	0.30	690.0	2.12	M10160CT-ND	1.29	.97	.86	M10160TR-ND	400	265.57	PM3604-250-RC	
300	0.52	213.0	0.73	1200	0.26	852.0	2.92	M10161CT-ND	1.29	.97	.86	M10161TR-ND	400	265.57	PM3604-300-RC	

◆ RoHS Compliant

Free shipping on orders over £50! All prices are in British pound sterling and include duties.
1446 (UK091) uk.digikey.com — FREEPHONE: 0-800-587-0991 • 0-800-904-7786 — FREEFAX: 0-800-587-0992 • 0-800-904-7783



L (µH) ±15%	I _{dc} Max. Amps	R _{dc} Max. Ω	Dimensions (mm)					Digi-Key Part No.	Price Each 1 10	J.W. Miller Part No.
5700 Series										
A	B	C	D	Nom.						
10	11.00	.008	22.23	11.10	8.13	1.63	M8709-ND	3.81	2.86	5701-RC
25	5.50	.014	22.23	11.10	7.62	1.02	M8710-ND	3.81	2.86	5702-RC
125	2.75	.12	22.23	11.10	7.62	.51	M8711-ND	3.81	2.86	5703-RC
275	2.00	.24	22.23	11.10	7.62	.41	M8712-ND	3.81	2.86	5704-RC
450	1.50	.49	22.23	11.10	7.62	.30	M8713-ND	3.81	2.86	5705-RC
25	9.00	.012	28.58	14.27	11.43	1.63	M8714-ND	3.81	2.86	5706-RC
75	5.00	.04	28.58	14.27	10.67	.91	M8715-ND	3.81	2.86	5707-RC
400	2.25	.33	28.58	14.27	10.67	.46	M8716-ND	3.81	2.86	5708-RC
50	9.50	.012	31.75	15.88	13.46	1.63	M8717-ND	3.81	2.86	5711-RC
150	4.75	.046	31.75	15.88	12.70	.91	M8718-ND	3.81	2.86	5712-RC
700	2.25	.42	31.75	15.88	12.70	.46	M8719-ND	3.81	2.86	5713-RC
1600	1.50	1.27	31.75	15.88	12.19	.30	M8720-ND	3.81	2.86	5715-RC
125	7.75	.032	46.02	19.05	17.27	1.63	M8721-ND	5.10	4.54	5716-RC
500	4.00	.15	46.02	19.05	16.51	.81	M8722-ND	5.10	4.54	5717-RC
1100	2.50	.33	46.02	19.05	16.51	.64	M8723-ND	5.10	4.54	5718-RC
2250	1.75	.92	46.02	19.05	16.51	.46	M8724-ND	2.56	2.28	5719-RC
250	8.00	.041	53.98	23.80	20.07	1.57	M8725-ND	6.78	6.03	5721-RC
900	3.75	.175	53.98	23.80	19.05	.81	M8726-ND	6.78	6.03	5722-RC
1800	2.50	.55	53.98	23.80	19.05	.58	M8727-ND	6.78	6.03	5723-RC
4000	1.75	1.16	53.98	23.80	18.80	.46	M8728-ND	6.78	6.03	5724-RC
8000	1.00	3.34	53.98	23.80	18.80	.30	M8729-ND	6.78	6.03	5725-RC
25	2.50	.040	13.97	5.59	5.33	.51	M8730-ND	3.41	2.57	5726-RC
35	2.50	.035	17.78	8.13	7.62	.64	M8731-ND	3.41	2.57	5727-RC
50	2.50	.060	19.05	8.13	7.11	.51	M8732-ND	3.41	2.57	5728-RC
100	2.50	.080	21.59	9.14	8.38	.51	M8733-ND	3.41	2.57	5729-RC
70	3.00	.050	21.59	9.14	8.38	.64	M8734-ND	3.41	2.57	5730-RC
40	4.00	.025	21.59	9.14	8.64	.81	M8735-ND	3.41	2.57	5731-RC

L (µH) ±15%	I _{dc} Max. Amps	R _{dc} Max. Ω	Dimensions (mm)					Digi-Key Part No.	Price Each 1 10	J.W. Miller Part No.	
6700 Series											
A	B	C	D	E							
125	2.75	.12	22.23	10.79	15.24	6.35	25.40	M8738-ND	4.79	3.60	6703-RC
100	2.50	.080	21.59	10.79	15.24	6.35	25.40	M8751-ND	5.17	3.88	6729-RC
70	3.00	.050	21.59	10.79	15.24	6.35	25.40	M8752-ND	5.17	3.88	6730-RC
150	4.75	.046	31.75	20.32	22.86	15.24	34.93	M8744-ND	5.77	4.33	6712-RC
700	2.25	.42	31.75	20.32	22.86	15.24	34.93	M8745-ND	5.77	4.33	6713-RC
900	3.75	.175	53.98	27.94	38.10	22.86	57.15	M8749-ND	7.59	6.76	6722-RC
8000	1.00	3.34	53.98	27.94	38.10	22.86	57.15	M8750-ND	6.77	6.02	6725-RC

High Current Toroid Inductors



2100, 2200 and 2300 Series (Std., HT and LL)

2100, 2200, and 2300 Series:

Features: • High current • Low radiation • 12.70mm lead length tinned to within 1.59mm of body
 • Operating Temperature: -55°C - 105°C Typical Applications: • DC-DC converters • EMI filters • Output Chokes Notes: • Rated I_{dc} causes a 30°C temperature rise

2100LL and 2200LL Series:

Features: • Low core loss • Low magnetic radiation • High current capacity • Horizontal mount • Operating Temperature: -55°C - 125°C Typical Applications: • Switch mode power supplies • DC-DC converters
 • Output chokes • EMI filters Notes: • Rated I_{dc} causes a 30°C temperature rise

2100HT, 2200HT and 2300HT Series:

Features: • High temperature rating, up to 200°C • Low magnetic radiation • High current capacity
 • Horizontal or vertical mount available • Low cost • Operating Temperature: -55°C - 200°C • 12.70mm lead length tinned to within 1.59mm of body Notes: • Rated I_{dc} causes a 50°C temperature rise

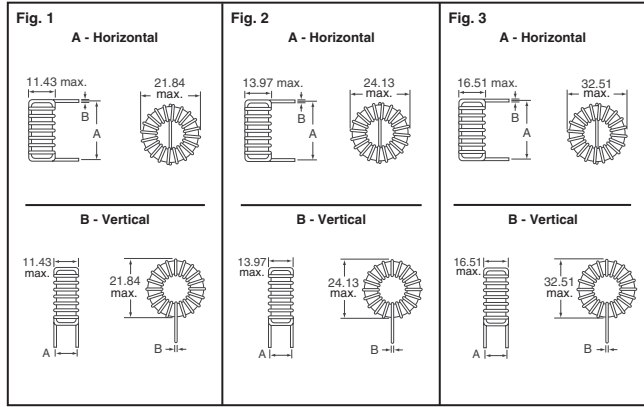


Fig.	L (µH) ±15% @ 1kHz	I _{dc} (A)	L (µH) ±15% @ I Rated	DCR Max. Ω	Dim. (mm) A B Max. Min.	Digi-Key Part No.	Price Each 1 10	J.W. Miller Part No.	
2100 Series									
1A	10	10.8	6.3	0.006	19.56 1.35	M8802-ND	2.17 1.56	2101-H-RC	
	15	7.7	10.2	0.012	19.30 1.07	M8803-ND	2.17 1.56	2103-H-RC	
	22	7.0	14.2	0.015	19.30 1.07	M8804-ND	2.17 1.56	2105-H-RC	
	33	5.0	22.8	0.029	19.05 0.86	M8805-ND	2.17 1.56	2107-H-RC	
	47	3.6	34.7	0.055	19.05 0.69	M8806-ND	2.17 1.56	2109-H-RC	
	56	3.4	40.6	0.060	19.05 0.69	M8807-ND	2.17 1.56	2110-H-RC	
	68	3.3	48.3	0.067	19.05 0.69	M8808-ND	2.17 1.56	2111-H-RC	
	100	2.4	75.2	0.13	18.80 0.56	M8809-ND	2.17 1.56	2112-H-RC	
	120	2.2	88.5	0.15	18.80 0.56	M8810-ND	2.17 1.56	2113-H-RC	
	150	3.4	84.3	0.062	20.07 0.86	M8811-ND	2.17 1.56	2114-H-RC	
1B	180	2.6	113.1	0.11	19.56 0.69	M8812-ND	2.17 1.56	2115-H-RC	
	270	1.8	181.6	0.21	19.30 0.56	M8814-ND	2.17 1.56	2117-H-RC	
	330	1.7	216.3	0.23	19.30 0.56	M8815-ND	2.17 1.56	2118-H-RC	
	470	1.6	293.8	0.28	19.30 0.56	M8816-ND	2.17 1.56	2120-H-RC	
	560	1.5	341.5	0.30	20.07 0.56	M8817-ND	2.17 1.56	2121-H-RC	
	1000	1.3	559.2	0.40	20.57 0.56	M8818-ND	2.17 1.56	2124-H-RC	
	2A	10	10.8	6.3	0.006	8.64 1.35	M8848-ND	2.17 1.56	2101-V-RC
		18	7.4	11.9	0.013	8.38 1.07	M8849-ND	2.17 1.56	2105-V-RC
		22	7.0	14.2	0.015	8.38 1.07	M8850-ND	2.17 1.56	2106-V-RC
		27	5.3	19.1	0.026	8.13 0.86	M8851-ND	2.17 1.56	2109-V-RC
33		5.0	22.8	0.029	8.13 0.86	M8852-ND	2.17 1.56	2107-V-RC	
39		4.8	26.4	0.032	8.13 0.86	M8853-ND	2.17 1.56	2108-V-RC	
47		3.6	34.7	0.055	7.87 0.69	M8854-ND	2.17 1.56	2109-V-RC	
56		3.4	40.6	0.060	7.87 0.69	M8855-ND	2.17 1.56	2110-V-RC	
100		2.4	75.2	0.13	7.87 0.56	M8856-ND	2.17 1.56	2112-V-RC	
150		3.4	84.3	0.062	8.89 0.86	M8857-ND	2.17 1.56	2114-V-RC	
2B	180	2.6	113.1	0.11	8.64 0.69	M8858-ND	2.17 1.56	2115-V-RC	
	220	2.4	134.4	0.12	8.64 0.69	M8859-ND	2.17 1.56	2116-V-RC	
	330	1.7	216.3	0.23	8.38 0.56	M8860-ND	2.17 1.56	2118-V-RC	
	390	1.7	250.1	0.25	8.38 0.56	M8861-ND	2.17 1.56	2119-V-RC	
	470	1.6	293.8	0.28	8.89 0.56	M8862-ND	2.17 1.56	2120-V-RC	
	1000	1.3	559.2	0.40	9.40 0.56	M8863-ND	2.17 1.56	2124-V-RC	
	3A	22	10.3	13.4	0.010	22.35 1.35	M8819-ND	2.90 2.07	2205-H-RC
		27	9.8	16.0	0.011	22.35 1.35	M8820-ND	2.90 2.07	2206-H-RC
		33	7.4	21.6	0.020	22.10 1.07	M8821-ND	2.90 2.07	2207-H-RC
		47	6.7	29.3	0.024	22.10 1.07	M8822-ND	2.90 2.07	2209-H-RC
56		6.4	34.1	0.026	22.10 1.07	M8823-ND	2.90 2.07	2210-H-RC	
68		4.9	45.7	0.046	21.84 0.86	M8824-ND	2.90 2.07	2211-H-RC	
100		4.4	64.0	0.056	21.84 0.86	M8825-ND	2.90 2.07	2212-H-RC	
150		3.1	102.7	0.11	21.84 0.69	M8826-ND	2.90 2.07	2214-H-RC	
270		3.4	149.4	0.092	22.86 0.86	M8827-ND	3.15 2.26	2217-H-RC	
330		3.3	176.8	0.10	22.86 0.86	M8828-ND	3.15 2.26	2218-H-RC	
3B	470	2.3	275.9	0.19	22.35 0.69	M8829-ND	3.15 2.26	2220-H-RC	
	1000	1.9	521.3	0.28	23.11 0.69	M8830-ND	3.15 2.26	2224-H-RC	
	10	12.5	6.7	0.007	11.68 1.35	M8864-ND	3.40 2.44	2201-V-RC	
	12	12.0	7.9	0.008	11.68 1.35	M8865-ND	2.90 2.07	2202-V-RC	
	15	11.3	9.6	0.008	11.68 1.35	M8866-ND	3.40 2.44	2203-V-RC	
	18	10.8	11.3	0.009	11.68 1.35	M8867-ND	2.90 2.07	2204-V-RC	
	22	10.3	13.4	0.010	11.68 1.35	M8868-ND	2.90 2.07	2205-V-RC	
	27	9.8	16.0	0.011	11.68 1.35	M8869-ND	2.90 2.07	2206-V-RC	
	33	7.4	21.6	0.020	11.43 1.07	M8870-ND	2.90 2.07	2207-V-RC	
	47	6.7	29.3	0.024	11.43 1.07	M8871-ND	2.90 2.07	2209-V-RC	
3C	56	6.4	34.1	0.026	11.43 1.07	M8872-ND	2.90 2.07	2210-V-RC	
	100	4.4	64.0	0.056	11.18 0.86	M8873-ND	2.90 2.07	2212-V-RC	
	120	3.3	84.4	0.098	11.18 0.69	M8874-ND	2.90 2.07	2213-V-RC	
	220	3.6	125.6	0.083	12.19 0.86	M8875-ND	3.40 2.44	2216-V-RC	
	330	3.3	176.8	0.10	12.19 0.86	M8876-ND	3.15 2.26	2218-V-RC	
	470	2.3	275.9	0.19	11.68 0.69	M8877-ND	3.66 2.62	2220-V-RC	
	1000	1.9	521.3	0.28	12.45 0.69	M8878-ND	3.15 2.26	2224-V-RC	
	2300 Series								
	3A	10	20.0	6.7	0.005	29.97 1.68	M8831-ND	2.90 2.18	2301-H-RC
		15	18.0	9.5	0.006	29.97 1.68	M8832-ND	2.90 2.18	2303-H-RC
22		16.4	13.2	0.007	29.97 1.68	M8833-ND	2.90 2.18	2305-H-RC	

(Continued)

Free shipping on orders over £50! All prices are in British pound sterling and include duties.

uk.digikey.com — FREEPHONE: 0-800-587-0991 • 0-800-904-7786 — FREEFAX: 0-800-587-0992 • 0-800-904-7783

(UK091) 1447

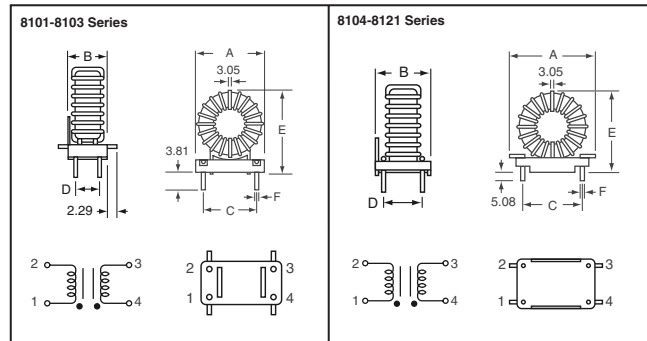
High Current Toroid Inductors (Cont.)



Fig.	L (µH) ±15% @ 1kHz	Idc (A)	L (µH) ±15% @ I Rated	DCR Max. Ω	Dim. (mm) A B Max. Min.	Digi-Key Part No.	Price Each 1 10	J.W. Miller Part No.
3A	27	15.6	15.7	0.008	29.97 1.68	M8834-ND	2.90 2.18	2306-H-RC
	47	10.7	29.0	0.016	28.96 1.35	M8835-ND	2.90 2.18	2309-H-RC
	56	10.2	33.7	0.017	28.96 1.35	M8836-ND	2.90 2.18	2310-H-RC
	68	7.7	45.2	0.030	28.70 1.07	M8837-ND	2.90 2.18	2311-H-RC
	100	7.0	63.1	0.037	28.70 1.07	M8838-ND	2.90 2.18	2312-H-RC
	120	6.7	73.9	0.040	28.70 1.07	M8839-ND	2.90 2.18	2313-H-RC
	180	4.8	118.9	0.078	28.45 0.86	M8840-ND	2.90 2.18	2315-H-RC
	220	5.8	123.8	0.054	29.72 1.07	M8841-ND	2.90 2.18	2316-H-RC
	330	5.2	174.1	0.067	29.72 1.07	M8842-ND	2.90 2.18	2318-H-RC
	470	5.0	200.2	0.072	29.72 1.07	M8843-ND	2.90 2.18	2319-H-RC
3B	39	3.8	271.4	0.13	29.46 0.86	M8844-ND	2.90 2.18	2320-H-RC
	560	3.6	314.8	0.14	29.46 0.86	M8845-ND	2.90 2.18	2321-H-RC
	680	3.4	370.7	0.15	29.46 0.86	M8846-ND	2.90 2.18	2322-H-RC
	1000	2.4	593.6	0.30	28.96 0.69	M8847-ND	2.90 2.18	2324-H-RC
	10	20.0	6.7	0.005	14.22 1.68	M8879-ND	2.90 2.18	2301-V-RC
	12	19.1	7.8	0.005	14.22 1.68	M8880-ND	2.90 2.18	2302-V-RC
	22	16.4	13.2	0.007	14.22 1.68	M8881-ND	2.90 2.18	2305-V-RC
	27	15.6	15.7	0.008	14.22 1.68	M8882-ND	2.90 2.18	2306-V-RC
	33	11.7	21.3	0.013	13.46 1.35	M8883-ND	2.90 2.18	2307-V-RC
	39	11.2	24.7	0.014	13.46 1.35	M8884-ND	2.90 2.18	2308-V-RC
47	10.7	29.0	0.016	13.46 1.35	M8885-ND	2.90 2.18	2309-V-RC	
56	10.2	33.7	0.017	13.46 1.35	M8886-ND	2.90 2.18	2310-V-RC	
68	7.7	45.2	0.030	13.21 1.07	M8887-ND	2.90 2.18	2311-V-RC	
100	7.0	63.1	0.037	13.21 1.07	M8888-ND	2.90 2.18	2312-V-RC	
120	6.7	73.9	0.040	13.21 1.07	M8889-ND	2.90 2.18	2313-V-RC	
150	5.0	101.4	0.071	12.95 0.86	M8890-ND	2.90 2.18	2314-V-RC	
270	5.5	147.2	0.060	14.22 1.07	M8891-ND	2.90 2.18	2317-V-RC	
330	5.2	174.1	0.067	14.22 1.07	M8892-ND	2.90 2.18	2318-V-RC	
390	5.0	200.2	0.072	14.22 1.07	M8893-ND	2.90 2.18	2319-V-RC	
470	3.8	271.4	0.13	13.72 0.86	M8894-ND	2.90 2.18	2320-V-RC	
1000	2.4	593.6	0.30	13.46 0.69	M8895-ND	2.90 2.18	2324-V-RC	
Low Loss								
2100LL Series								
1A	10	11.4	5.2	0.005	20.32 1.35	M1400-ND	2.54 1.91	2100LL-100H-RC
	12	10.9	6.1	0.006	20.32 1.35	M1401-ND	2.54 1.91	2100LL-120H-RC
	15	10.5	7.3	0.006	20.32 1.35	M1402-ND	2.54 1.91	2100LL-150H-RC
	18	10.1	8.5	0.007	20.32 1.35	M1403-ND	2.54 1.91	2100LL-180H-RC
	22	7.5	11.8	0.012	19.81 1.07	M1404-ND	2.54 1.91	2100LL-220H-RC
	27	7.3	14.2	0.012	19.81 1.07	M1405-ND	2.54 1.91	2100LL-270H-RC
	33	6.9	16.6	0.014	19.81 1.07	M1406-ND	2.54 1.91	2100LL-330H-RC
	39	6.6	18.8	0.015	19.81 1.07	M1407-ND	2.54 1.91	2100LL-390H-RC
	47	5.2	25.3	0.024	19.30 0.86	M1408-ND	2.54 1.91	2100LL-470H-RC
	56	5.0	29.3	0.026	19.30 0.86	M1409-ND	2.54 1.91	2100LL-560H-RC
1A	68	4.7	34.0	0.030	19.30 0.86	M1410-ND	2.54 1.91	2100LL-680H-RC
	82	4.6	39.9	0.032	19.30 0.86	M1411-ND	2.54 1.91	2100LL-820H-RC
	100	4.3	46.2	0.036	19.30 0.86	M1412-ND	2.54 1.91	2100LL-101H-RC
	120	4.1	53.5	0.039	19.30 0.86	M1413-ND	2.54 1.91	2100LL-121H-RC
	150	3.9	63.8	0.043	19.30 0.86	M1414-ND	2.54 1.91	2100LL-151H-RC
	180	3.7	73.3	0.048	19.30 0.86	M1415-ND	2.54 1.91	2100LL-181H-RC
	220	3.5	85.1	0.053	19.30 0.86	M1416-ND	2.54 1.91	2100LL-221H-RC
	270	2.7	124.2	0.093	18.80 0.69	M1417-ND	2.54 1.91	2100LL-271H-RC
	330	2.5	145.1	0.103	18.80 0.69	M1418-ND	2.54 1.91	2100LL-331H-RC
	390	2.4	165.4	0.112	18.80 0.69	M1419-ND	2.54 1.91	2100LL-391H-RC
470	2.3	190.1	0.124	19.30 0.69	M1420-ND	2.54 1.91	2100LL-471H-RC	
2200LL Series								
2A	10	14.3	6.0	0.006	26.67 1.35	M1421-ND	3.45 2.59	2200LL-100H-RC
	12	14.2	6.9	0.006	26.67 1.35	M1422-ND	3.45 2.59	2200LL-120H-RC
	15	13.6	8.3	0.007	26.67 1.35	M1423-ND	3.45 2.59	2200LL-150H-RC
	18	13.1	9.7	0.007	26.67 1.35	M1424-ND	3.45 2.59	2200LL-180H-RC
	22	12.6	11.5	0.008	26.67 1.35	M1425-ND	3.45 2.59	2200LL-220H-RC
	27	11.8	13.5	0.009	26.67 1.35	M1426-ND	3.45 2.59	2200LL-270H-RC
	33	11.1	15.7	0.010	26.67 1.35	M1427-ND	3.45 2.59	2200LL-330H-RC
	39	10.8	18.1	0.011	26.67 1.35	M1428-ND	3.45 2.59	2200LL-390H-RC
	47	10.3	20.9	0.012	26.67 1.35	M1429-ND	3.45 2.59	2200LL-470H-RC
	56	9.8	23.9	0.013	26.67 1.35	M1430-ND	3.45 2.59	2200LL-560H-RC
2A	68	7.6	33.9	0.022	26.16 1.07	M1431-ND	3.45 2.59	2200LL-680H-RC
	82	7.1	39.0	0.024	26.16 1.07	M1432-ND	3.45 2.59	2200LL-820H-RC
	100	6.8	45.6	0.027	26.16 1.07	M1433-ND	3.45 2.59	2200LL-101H-RC
	120	5.1	63.4	0.047	25.65 0.86	M1434-ND	3.45 2.59	2200LL-121H-RC
	150	4.9	76.0	0.052	25.65 0.86	M1435-ND	3.45 2.59	2200LL-151H-RC
	180	4.7	88.5	0.057	25.65 0.86	M1436-ND	3.45 2.59	2200LL-181H-RC
	220	4.4	103.1	0.063	25.65 0.86	M1437-ND	3.45 2.59	2200LL-221H-RC
	270	4.0	141.9	0.077	25.65 0.69	M1439-ND	3.45 2.59	2200LL-331H-RC
	390	3.8	161.2	0.084	25.65 0.69	M1440-ND	3.45 2.59	2200LL-391H-RC
	470	3.7	185.7	0.092	25.65 0.69	M1441-ND	3.45 2.59	2200LL-471H-RC
High Temperature								
2100HT Series								
1A	10	9.9	7.6	0.012	19.30 1.07	M8917-ND	1.91 1.37	2100HT-100-H-RC
	15	9.1	11.0	0.014	19.30 1.07	M8918-ND	1.91 1.37	2100HT-150-H-RC
	33	6.1	24.0	0.031	20.07 0.86	M8919-ND	1.91 1.37	2100HT-330-H-RC
	47	5.6	33.1	0.036	20.07 0.86	M8920-ND	1.91 1.37	2100HT-470-H-RC
	100	4.6	64.5	0.053	20.07 0.86	M8921-ND	1.91 1.37	2100HT-101-H-RC
	47	5.6	33.1	0.036	8.89 0.86	M8922-ND	1.91 1.37	2100HT-470-V-RC

Fig.	L (µH) ±15% @ 1kHz	Idc (A)	L (µH) ±15% @ I Rated	DCR Max. Ω	Dim. (mm) A B Max. Min.	Digi-Key Part No.	Price Each 1 10	J.W. Miller Part No.
2200HT Series								
2A	12	10.9	9.4	0.015	22.35 1.35	M8923-ND	2.37 1.69	2200HT-120-H-RC
	39	8.1	27.4	0.026	22.10 1.07	M8924-ND	2.03 1.52	2200HT-390-H-RC
	100	5.3	68.9	0.061	22.86 0.86	M8925-ND	2.03 1.52	2200HT-101-H-RC
180	4.6	115.6	0.082	22.86 0.86	M8926-ND	2.03 1.52	2200HT-181-H-RC	
2300HT Series								
3A	10	23.3	7.2	0.006	29.97 1.68	M8927-ND	3.11 2.34	2300HT-100-H-RC
	33	13.6	23.0	0.015	28.96 1.35	M8928-ND	3.11 2.34	2300HT-330-H-RC
	47	10.0	34.7	0.028	28.70 1.07	M8929-ND	3.11 2.34	2300HT-470-H-RC
	150	7.5	97.9	0.050	29.72 1.07	M8930-ND	3.11 2.34	2300HT-151-H-RC
	220	6.8	136.6	0.061	29.72 1.07	M8931-ND	3.11 2.34	2300HT-221-H-RC
	330	4.9	218.3	0.10	29.46 0.94	M8932-ND	3.11 2.34	2300HT-331-H-RC
470	4.5	297.9	0.14	29.46 0.94	M8933-ND	3.11 2.34	2300HT-471-H-RC	
3B	10	23.3	7.2	0.006	14.22 1.68	M8934-ND	3.11 2.34	2300HT-100-V-RC
	22	19.0	14.5	0.008	14.22 1.68	M8935-ND	3.11 2.34	2300HT-220-V-RC
	47	10.0	34.7	0.028	13.21 1.07	M8936-ND	3.11 2.34	2300HT-470-V-RC

Common Mode Choke with Header



L (mH) Min. @ 1kHz	I Max. (A)	R, dc Max. (Ω)	Dimensions (mm)						Digi-Key Part No.	Price Each 1 10	J.W. Miller Part No.
			A Max.	B ±0.01	C ±0.015	D ±0.015	E Max.	F Max.			
4	1.7	0.173	19.30	10.79	15.24	6.35	22.86	1.02	M8896-ND	4.14 3.11	8101-RC
2.5	2.4	0.09	19.30	10.79	15.24	6.35	22.86	1.02	M8897-ND	4.14 3.11	8102-RC
1	4.8	0.022	19.30	10.79	15.24	6.35	22.86	1.02	M8898-ND	4.14 3.11	8103-RC
10	2.4	0.17	30.48	15.24	20.32	10.16	30.48	1.27	M8899-ND	5.79 4.35	8104-RC
7	2.8	0.12	30.48	15.24	20.32	10.16	30.48	1.27	M8900-ND	5.79 4.35	8105-RC
5	3.7	0.07	30.48	15.24	20.32	10.16	30.48	1.27	M8901-ND	5.79 4.35	8106-RC
2	6.6	0.022	30.48	15.24	20.32	10.16	30.48	1.27	M8902-ND	5.79 4.35	8107-RC
1	10	0.01	30.48	15.24	20.32	10.16	30.48	1.27	M8903-ND	5.79 4.35	8108-RC
30	2.3	0.33	34.29	20.32	22.86	15.24	36.83	1.27	M8904-ND	9.10 6.83	8109-RC
20	2.9	0.21	34.29	20.32	22.86	15.24	36.83	1.27	M8905-ND	9.10 6.83	8110-RC
12	4	0.11	34.29	20.32	22.86	15.24	36.83	1.27	M8906-ND	9.10 6.83	8111-RC
8	5.6	0.055	34.29	20.32	22.86	15.24	36.83	1.27	M8907-ND	9.10 6.83	8112-RC
5	8.9	0.022	36.83	20.32	22.86	15.24	38.10	1.09	M8908-ND	9.10 6.83	8113-RC
2.5	12.5	0.011	36.83	20.32	22.86	15.24	38.10	1.35	M8909-ND	9.10 6.83	8114-RC
1.2	16	0.006	38.10	20.32	22.86	15.24	38.86	1.52	M8910-ND	9.10 6.83	8115-RC
50	2.3	0.45	39.37	20.32	22.86	15.24	41.91	1.27	M8911-ND	8.69 7.73	8116-RC
36	2.9	0.3	39.37	20.32	22.86	15.24	41.91	1.27	M8912-ND	8.69 7.73	8117-RC
7.3	9.3	0.032	41.91	20.32	22.86	15.24	41.91	1.09	M8913-ND	8.69 7.73	8118-RC
4	14.5	0.012	43.18	22.86	30.48	17.78	41.91	1.52	M8914-ND	8.69 7.73	8119-RC