



RL181S Series: Features: • Ferrite shield for low radiation • High Q • High reliability, high efficiency
• Operating temperature: -55°C ~ 105°C **Applications:** • Switch mode power supplies • DC-DC converters
• Desktop, notebook computers, servers • Digital TV, DVD, cable modems, DSS set-top boxes • Battery
chargers • Output chokes • EMI filters

RL187 Series: Features: • High Q • High reliability, high efficiency • Winding covered with shrink tubing
• Operating temperature: -55°C ~ 105°C **Applications:** • Switch mode power supplies • DC-DC converters
• Desktop, notebook computers, servers • Digital TV, DVD, cable modems, DSS set-top boxes • Battery
chargers • Output chokes • EMI filters

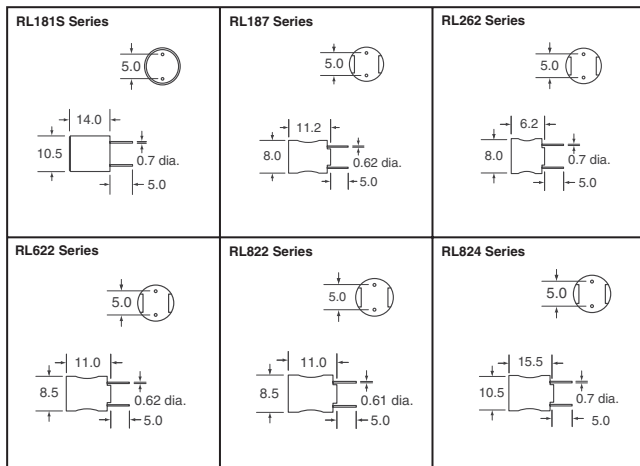
RL262 Series: Features: • High Q • High reliability, high efficiency • Winding covered with shrink tubing
• Operating temperature: -55°C ~ 105°C **Applications:** • Switch mode power supplies • DC-DC converters
• Desktop, notebook computers, servers • Digital TV, DVD, cable modems, DSS set-top boxes • Battery
chargers • Output chokes • EMI filters

RL622 Series: Features: • High current capacity • Ferrite bobbin core • Low core loss • High reliability,
high efficiency • Winding covered with shrink tubing • Operating temperature: -55°C ~ 105°C **Applications:**
• Switch mode power supplies • DC-DC converters • Desktop, notebook computers, servers • Digital TV,
DVD, cable modems, DSS set-top boxes • Battery chargers • Output chokes • EMI filters

RL822 Series: Features: • High current capacity • Ferrite bobbin core • Low core loss • High reliability,
high efficiency • Winding covered with shrink tubing • Operating temperature: -55°C ~ 105°C **Applications:**
• Switch mode power supplies • DC-DC converters • Desktop, notebook computers, servers • Digital TV,
DVD, cable modems, DSS set-top boxes • Battery chargers • Output chokes • EMI filters

RL824 Series: Features: • High current capacity • Ferrite bobbin core • Low core loss • High reliability,
high efficiency • Winding covered with shrink tubing • Operating temperature: -55°C ~ 105°C **Applications:**
• Switch mode power supplies • DC-DC converters • Desktop, notebook computers, servers • Digital TV,
DVD, cable modems, DSS set-top boxes • Battery chargers • Output chokes • EMI filters

E



L (µH) ±5% @1kHz	Q (Min.) @50kHz	Test Freq. (kHz)	SRF (MHz) Min.	DCR (Ω) Max.	I, DC (mA)	Digi-Key Part No.	Price Each					J.W. Miller Part No.
							1	10	25	50	100	
RL181S Series												
1500	70	—	0.64	4.0	70	M10065-ND	1.44	1.08	.81	.72	.63	RL181S-152J-RC
3300	100	—	0.44	6.1	50	M10066-ND	1.44	1.08	.81	.72	.63	RL181S-332J-RC
5600	100	—	0.35	8.4	40	M10068-ND	1.44	1.08	.81	.72	.63	RL181S-562J-RC
15000	100	—	0.22	15.0	22	M10071-ND	1.44	1.08	.81	.72	.63	RL181S-153J-RC
18000	100	—	0.19	17.0	21	M10072-ND	1.44	1.08	.81	.72	.63	RL181S-183J-RC
33000	100	—	0.16	26.0	17	M10074-ND	1.44	1.08	.81	.72	.63	RL181S-333J-RC
39000	100	—	0.12	45.0	15	M10075-ND	1.44	1.08	.81	.72	.63	RL181S-393J-RC
47000	100	—	0.12	52.0	13	M10076-ND	1.44	1.08	.81	.72	.63	RL181S-473J-RC
100000	100	—	0.09	82.0	9	M10077-ND	1.44	1.08	.81	.72	.63	RL181S-104J-RC
RL187 Series												
100	80	796	5.3	2.0	200	M10038-ND	.86	.69	.52	.43	.35	RL187-101J-RC
330	80	796	2.3	4.0	200	M10041-ND	.86	.69	.52	.43	.35	RL187-331J-RC
390	80	796	2.1	4.0	200	M10042-ND	.86	.69	.52	.43	.35	RL187-391J-RC
470	80	796	1.9	4.0	200	M10043-ND	.86	.69	.52	.43	.35	RL187-471J-RC
560	80	796	1.7	4.0	200	M10044-ND	.86	.69	.52	.43	.35	RL187-561J-RC
820	80	796	1.4	6.0	200	M10046-ND	.86	.69	.52	.43	.35	RL187-821J-RC
1200	90	252	1.2	9.0	150	M10048-ND	.86	.69	.52	.43	.35	RL187-122J-RC
5600	90	252	0.5	18	50	M10055-ND	.86	.69	.52	.43	.35	RL187-562J-RC
6800	90	252	0.5	26	50	M10056-ND	.86	.69	.52	.43	.35	RL187-682J-RC
8200	90	252	0.4	26	50	M10057-ND	.86	.69	.52	.43	.35	RL187-822J-RC
18000	100	79.6	0.3	60	30	M10060-ND	.86	.69	.52	.43	.35	RL187-183J-RC
22000	100	79.6	0.3	80	30	M10061-ND	.86	.69	.52	.43	.35	RL187-223J-RC
27000	100	79.6	0.3	80	30	M10062-ND	.86	.69	.52	.43	.35	RL187-273J-RC

L (µH) ±5% @1kHz	Q (Min.) @50kHz	Test Freq. (kHz)	SRF (MHz) Min.	DCR (Ω) Max.	I, DC (mA)	Digi-Key Part No.	Price Each					J.W. Miller Part No.
							1	10	25	50	100	
RL262 Series												
470	60	796	3.2	5.0	100	M10031-ND	.86	.69	.52	.43	.35	RL262-471J-RC
2200	80	252	1.5	14.0	50	M10034-ND	.86	.69	.52	.43	.35	RL262-222J-RC
8200	80	252	0.6	45.0	30	M10035-ND	.86	.69	.52	.43	.35	RL262-822J-RC
10000	60	79.6	0.6	55.0	20	M10036-ND	.86	.69	.52	.43	.35	RL262-103J-RC
RL622 Series												
1.0	20	7.96	150	0.013	10	M9975-ND	.82	.66	.49	.41	.33	RL622-1R0K-RC
1.5	20	7.96	130	0.016	8.5	M9976-ND	.82	.66	.49	.41	.33	RL622-1R5K-RC
2.2	20	7.96	100	0.021	6.5	M9977-ND	.82	.66	.49	.41	.33	RL622-2R2K-RC
3.3	20	7.96	79	0.025	5.5	M9978-ND	.82	.66	.49	.41	.33	RL622-3R3K-RC
4.7	20	7.96	51	0.030	4.3	M9979-ND	.82	.66	.49	.41	.33	RL622-4R7K-RC
6.8	20	7.96	29	0.035	3.7	M9980-ND	.82	.66	.49	.41	.33	RL622-6R8K-RC
10	50	2.52	14	0.045	3.0	M9981-ND	.82	.66	.49	.41	.33	RL622-100K-RC
12	50	2.52	13	0.050	2.7	M9982-ND	.82	.66	.49	.41	.33	RL622-120K-RC
15	40	2.52	12	0.056	2.3	M9983-ND	.82	.66	.49	.41	.33	RL622-150K-RC
18	40	2.52	11	0.061	2.2	M9984-ND	.82	.66	.49	.41	.33	RL622-180K-RC
22	40	2.52	9.2	0.070	2.0	M9985-ND	.82	.66	.49	.41	.33	RL622-220K-RC
27	30	2.52	8.5	0.080	1.7	M9986-ND	.82	.66	.49	.41	.33	RL622-270K-RC
33	30	2.52	7.8	0.090	1.6	M9987-ND	.82	.66	.49	.41	.33	RL622-330K-RC
39	30	2.52	6.9	0.10	1.5	M9988-ND	.82	.66	.49	.41	.33	RL622-390K-RC
47	30	2.52	6.5	0.16	1.4	M9989-ND	.82	.66	.49	.41	.33	RL622-470K-RC
56	30	2.52	5.4	0.18	1.3	M9990-ND	.82	.66	.49	.41	.33	RL622-560K-RC
68	30	2.52	4.9	0.21	1.2	M9991-ND	.82	.66	.49	.41	.33	RL622-680K-RC
82	30	2.52	4.1	0.23	1.1	M9992-ND	.82	.66	.49	.41	.33	RL622-820K-RC
100	20	0.796	3.7	0.28	0.91	M9993-ND	.82	.66	.49	.41	.33	RL622-101K-RC
120	20	0.796	3.4	0.32	0.84	M9994-ND	.82	.66	.49	.41	.33	RL622-121K-RC
150	20	0.796	3.2	0.37	0.75	M9995-ND	.82	.66	.49	.41	.33	RL622-151K-RC
180	20	0.796	2.8	0.58	0.69	M9996-ND	.82	.66	.49	.41	.33	RL622-181K-RC
220	20	0.796	2.7	0.65	0.64	M9997-ND	.82	.66	.49	.41	.33	RL622-221K-RC
270	20	0.796	2.4	0.75	0.57	M9998-ND	.82	.66	.49	.41	.33	RL622-271K-RC
330	20	0.796	2.3	0.85	0.54	M9999-ND	.82	.66	.49	.41	.33	RL622-331K-RC
390	20	0.796	2.1	1.0	0.48	M10000-ND	.82	.66	.49	.41	.33	RL622-391K-RC
470	20	0.796	1.9	1.1	0.46	M10001-ND	.82	.66	.49	.41	.33	RL622-471K-RC
560	20	0.796	1.8	1.4	0.41	M10002-ND	.82	.66	.49	.41	.33	RL622-561K-RC
680	20	0.796	1.6	1.6	0.38	M10003-ND	.82	.66	.49	.41	.33	RL622-681K-RC
820	20	0.796	1.5	1.8	0.35	M10004-ND	.82	.66	.49	.41	.33	RL622-821K-RC
1000	50	0.252	1.3	2.9	0.29	M10005-ND	.82	.66	.49	.41	.33	RL622-102K-RC
1200	50	0.252	1.1	4.0	0.13	M10006-ND	.82	.66	.49	.41	.33	RL622-122K-RC
1500	20	0.252	1.0	6.1	0.08	M10007-ND	.82	.66	.49	.41	.33	RL622-152K-RC
1800	20	0.252	1.0	6.4	0.08	M10008-ND	.82	.66	.49	.41	.33	RL622-182K-RC
2200	20	0.252	0.9	6.8	0.08	M10009-ND	.82	.66	.49	.41	.33	RL622-222K-RC
2700	20	0.252	0.9	7.7	0.08	M10010-ND	.82	.66	.49	.41	.33	RL622-272K-RC
3300	20	0.252	0.7	9.0	0.08	M10011-ND	.82	.66	.49	.41	.33	RL622-332K-RC
4700	20	0.252	0.5	16.0	0.05	M10013-ND	.82	.66	.49	.41	.33	RL622-472K-RC
5600	20	0.252	0.4	18.0	0.05	M10014-ND	.82	.66	.49	.41	.33	RL622-562K-RC
6800	20	0.252	0.4	19.0	0.05	M10015-ND	.82	.66	.49	.41	.33	RL622-682K-RC
8200	20	0.252	0.3	21.0	0.05	M10016-ND	.82	.66	.49	.41	.33	RL622-822K-RC
10000	40	0.079	0.3	25.0	0.05	M10017-ND	.82	.66	.49	.41	.33	RL622-103K-RC
15000	40	0.079	0.2	37.0	0.04	M10019-ND	.82	.66	.49	.41	.33	RL622-153K-RC
18000	30	0.079	0.2	40.0	0.04	M10020-ND	.82	.66	.49	.41	.33	RL622-183K-RC
22000	30	0.079	0.1	56.0	0.03	M10021-ND	.82	.66	.49	.41	.33	RL622-223K-RC
39000	30	0.079	0.1	80.0	0.03	M10024-ND	.82	.66	.49	.41	.33	RL622-393K-RC
47000	20	0.079	0.1	99.0	0.03	M10025-ND	.82	.66	.49	.41	.33	RL622-473K-RC
56000	20	0.079	0.1	135.0	0.02	M10026-ND	.82	.66	.49	.41	.33	RL622-563K-RC
68000	20	0.079	0.1	150.0	0.02	M10027-ND	.82	.66	.49	.41	.33	RL622-683K-RC
82000	20	0.079	0.1	212.0	0.02	M10028-ND	.82	.66	.49	.41	.33	RL622-823K-RC
100000	20	0.025	0.1	235.0	0.02	M10029-ND	.82	.66	.49	.41	.33	RL622-104K-RC
RL822 Series												
4.7	—	—	51	0.030	2.27	M9959-ND	.86	.69	.52	.43	.35	RL822-4R7K-RC
15	—	—	12	0.058	1.75	M9961-ND	.86	.69	.52	.43	.35	RL822-150K-RC
47	—	—	6.5	0.17	0.79	M9963-ND	.86	.69	.52	.43	.35	