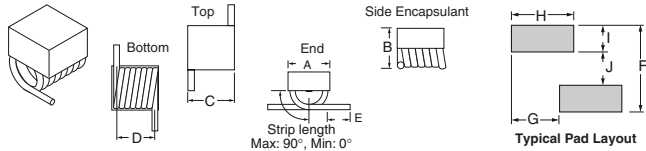


**API Delevan Coils and Inductors (Cont.)**  
**Series 4426 Surface Mount Air Core Inductors**

High Q, wire wound air cores designed to operate over a wide frequency range. Flat cap top is suitable for automatic placement.  
**Operating Temperature Range: -55°C - 125°C**



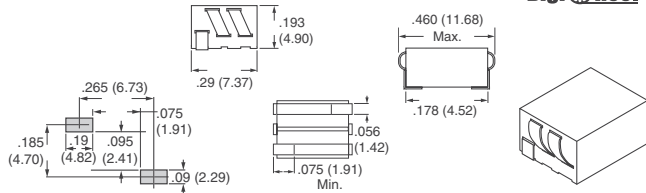
	Size A		Size B	
	(Inch)	(mm)	(Inch)	(mm)
A Max.	.120	3.05	.120	3.05
B Max.	.125	3.18	.125	3.18
C Max.	.145	3.68	.270	6.86
D	.115±.010	2.92±.25	.230±.010	5.84±.25
E	.05±.015	1.27±.38	.05±.015	1.27±.38
F	.165	4.19	.285	7.23
G	.110	2.79	.110	2.79
H	.130	3.30	.130	3.30
I	.050	1.27	.050	1.27
J	.065	1.65	.185	4.69

Size Code	Induct. (nH)	Turns	Q Min.	Digi-Key Part No.	Cut Tape Price Each	Digi-Key Part No.	Tape & Reel Qty.	Pricing	API Delevan Part No.
<b>Series 4426 Air Core Inductors</b>									
A	2.5 ±10%	1	145	DN7739CT-ND	.70 .67 .44	DN7739TR-ND	650	168.24	4426R-1
	5.0 ±10%	2	140	DN7741CT-ND	.70 .67 .44	DN7741TR-ND	650	168.24	4426R-2
	8.0 ±5%	3	140	DN7742CT-ND	.70 .67 .44	DN7742TR-ND	650	168.24	4426R-3
	12.5 ±5%	4	137	DN7743CT-ND	.70 .67 .44	DN7743TR-ND	650	168.24	4426R-4
	18.5 ±5%	5	132	DN7744CT-ND	.70 .67 .44	DN7744TR-ND	650	168.24	4426R-5
B	22.0 ±5%	7	102	DN7745CT-ND	.70 .67 .44	DN7745TR-ND	400	103.53	4426R-7
	28.0 ±5%	8	105	DN4008CT-ND	.70 .67 .44	DN4008TR-ND	400	113.55	4426-8
	28.0 ±5%	8	105	DN7746CT-ND	.70 .67 .44	DN7746TR-ND	400	103.53	4426R-8
	35.5 ±5%	9	112	DN7747CT-ND	.70 .67 .44	DN7747TR-ND	400	103.53	4426R-9
	43.0 ±5%	11	106	DN7740CT-ND	.70 .67 .44	DN7740TR-ND	400	103.53	4426R-10

**4426RKIT-ND** (4426RKIT) Series 4426 Inductor Kit  
 5 each of 10 values (2.5nH to 43nH), 50 total pieces..... **106.72**  
 • RoHS Compliant

**Series SMB 2.5 Surface Mount Shield Beads**

High resistivity ferrite material eliminates the need to insulate windings. Lead wire is plated copper.  
**Operating Temperature Range: -40°C - 125°C**

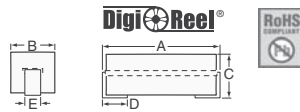


API Delevan Part No.	Turns	Minimum Impedance (Ohms)				Idc Max. (Amps)	DCR Max. (Ohms)
		10 MHz	100 MHz	150 MHz	220 MHz		
SMB2.5-1	2 1/2	210	385	400	375	9.5	0.005
SMB2.5-2	2 1/2	NA	490	635	650	9.5	0.005

Digi-Key Part No.	Cut Tape Price Each	Digi-Key Part No.	Tape & Reel Pricing	API Delevan Part No.
DN7957CT-ND	.67 .55 .44	DN7957TR-ND	181.17	SMB2.5R-1
DN7958CT-ND	.67 .55 .44	DN7958TR-ND	181.17	SMB2.5R-2

**Series 4221 Surface Mount Filter Beads**

**Specifications:** • Operating Temperature Range: -55°C - 125°C • Current Rating: 5A maximum  
 • Material: Ferrite bead with plated copper lead



Impedance (Ω) @25MHz @100MHz	Dimensions (mm)					Digi-Key Part No.	Cut Tape Pricing			Tape and Reel Pricing	API Delevan Part No.
	A	B	C	D	E		1	10	100		
22	47	5.0	3.05	3.05	1.5	DN4702CT-ND	.40	3.78	24.54	73.14	4221R-1
45	95	9.5	3.05	3.05	1.5	DN4703CT-ND	.40	3.78	24.54	73.14	4221R-2
22	42	5.5	2.97	3.5	1.5	DN4704CT-ND	.40	3.78	24.54	73.14	4221R-3
43	85	8.9	4.75	3.5	1.5	DN4705CT-ND	.40	3.78	24.54	73.14	4221R-4

For Tape and Reel part number, change CT-ND to TR-ND.

**Series BF Split Ferrite Suppressors for Round Cables**



One of the most versatile and cost effective shielding methods that can be used today is the API Delevan bisected ferrite cable snap assembly. The bisected styling, or familiar clamshell enclosure design, offers the ultimate in adaptability. The RF absorbing material interacts directly with unwanted high frequency energy and dissipates it effectively while allowing data signals to pass unimpeded.

All plastic and adhesive components are UL Recognized with Flammability Ratings of UL94V-0, UL-510 or UL-746C. Color is black.

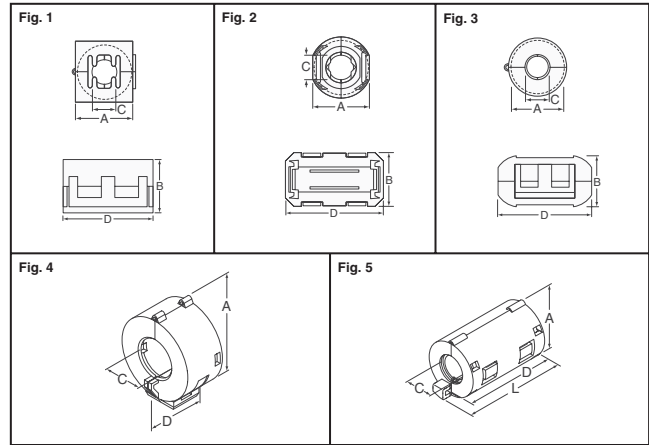


Fig.	Impedance (Ω)		Dimensions (mm)					Digi-Key Part No.	Price Each			API Delevan Part No.
	@25MHz	@100MHz	A	B	C	D	L		1	10	100	
1	136	250	22.3	23.3	10	32.6	—	DN4715-ND	2.16	1.86	1.24	BF2223
	155	257	29.6	30.5	13	33	—	DN4716-ND	2.16	1.86	1.24	BF2930
	171	325	17.8	19.5	6.5	32.5	—	DN4710-ND	2.16	1.86	1.24	BF1719
2	96	154	11.7	13	5	25	—	DN4707-ND	1.47	1.27	.85	BF1125-5
	112	172	18	19.7	9	35	—	DN4711-ND	1.47	1.27	.85	BF1835
	139	191	11.7	13	3.5	25	—	DN4706-ND	1.47	1.27	.85	BF1125-3
3	82	146	12.8	14.7	4	25	—	DN4708-ND	1.25	1.07	.72	BF1225
	85	157	14.5	15.7	5.6	29	—	DN4709-ND	1.25	1.07	.72	BF1429
4	41	95	31.5	—	15	15.2	—	DN4718-ND	1.35	1.16	.77	BF3121
	42	94	21.5	—	8.15	16.8	—	DN4713-ND	1.35	1.16	.77	BF2123
	50	107	21.5	—	8.15	19.7	—	DN4714-ND	1.35	1.16	.77	BF2125
	51	103	30.5	—	11.4	17.7	—	DN4717-ND	1.35	1.16	.77	BF3024
5	126	174	18.6	—	9	31	35.2	DN4712-ND	1.58	1.35	.91	BF1835-9

**Flexible Ferrite Absorbent Tubing**

**Features:** • Provides effective EMI suppression in a wide frequency range (10MHz to 3GHz) • High electrical resistance (10<sup>6</sup> to 10<sup>8</sup>) • Easy and fast to process • Extremely flexible • Six sizes to choose from  
 • Can be incorporated into the over-molding process on cable assemblies • Eliminates the task of soldering braid • Effectively eliminates EMI and RFI problems on internal and external power, data and signal lines  
**Specifications:** • Operating Temperature Range: -55°C - 125°C • Length: 1 meter

Inside Diameter (mm)	Outside Diameter (mm)	Typical Impedance (Ω) @ 100MHz	Digi-Key Part No.	Price Each			API Delevan Part No.
1.8	2.9	140	DN41988-ND	14.18	12.16	8.11	FFAT32
4	5	138	DN41989-ND	14.97	12.83	8.56	FFAT54
5	6.5	132	DN41990-ND	33.69	28.88	19.26	FFAT65
6	9	134	DN41991-ND	61.09	52.36	34.91	FFAT96
7	11	137	DN41992-ND	76.00	65.15	43.43	FFAT117
10	14	149	DN41993-ND	91.37	78.33	52.22	FFAT1410

**Flexible Ferrite Absorbent Material**

**Features:** • Provides effective EMI suppression in a wide frequency range (10MHz to 3GHz) • Effective in preventing resonance and suppressing coupling • Ultra thin (.25mm through 2.5mm) • High electrical resistance (10<sup>6</sup> to 10<sup>8</sup> ohms) • Extremely flexible  
**Specifications:** • Operating Temperature Range: -55°C - 125°C

Sheet Size (mm)	Sheet Thickness (mm)	Adhesive Backing	Impedance @ 100MHz	Digi-Key Part No.	Price Each			API Delevan Part No.
					1	10	100	
100 x 100	0.25	Yes	55	DN41994-ND	10.24	8.78	5.86	FFAM025-1*1*T
	0.6	No	58	DN41995-ND	7.50	6.43	4.29	FFAM06-1*1
	0.6	Yes	58	DN41996-ND	8.54	7.32	4.88	FFAM06-1*1*T
	1.0	No	60	DN41997-ND	9.30	7.98	5.32	FFAM10-1*1
	1.0	Yes	60	DN41998-ND	10.32	8.85	5.90	FFAM10-1*1*T
	1.5	No	61	DN41999-ND	13.87	11.90	7.93	FFAM15-1*1
	1.5	Yes	61	DN42000-ND	14.92	12.79	8.53	FFAM15-1*1*T
	2.0	No	62	DN42001-ND	18.65	15.99	10.66	FFAM20-1*1
	2.0	Yes	62	DN42002-ND	19.72	16.91	11.27	FFAM20-1*1*T
	2.5	No	63	DN42003-ND	23.51	20.15	13.44	FFAM25-1*1
	2.5	Yes	63	DN42004-ND	24.58	21.07	14.05	FFAM25-1*1*T

Digi-Reel Most SMT cutdown parts are available on a Digi-Reel. For Digi-Reel part number, change 1-ND to 6-ND or CT-ND to DKR-ND. See Digi-Key Services on page 2 for additional information.

**Free shipping on orders over £50! All prices are in British pound sterling and include duties.**

uk.digikey.com — FREEPHONE: 0-800-587-0991 • 0-800-904-7786 — FREEFAX: 0-800-587-0992 • 0-800-904-7783

(UK091) 1421