

TDK Ceramic Resonators - Leaded



Features: • The FCR series provide a high degree of stability between the quartz oscillator and the LC or RC oscillating circuits. Temperature characteristics: -20°C ~ 85°C
Specifications: • Frequency Tolerance: ±0.5% • Operating Temperature: -40°C ~ 85°C

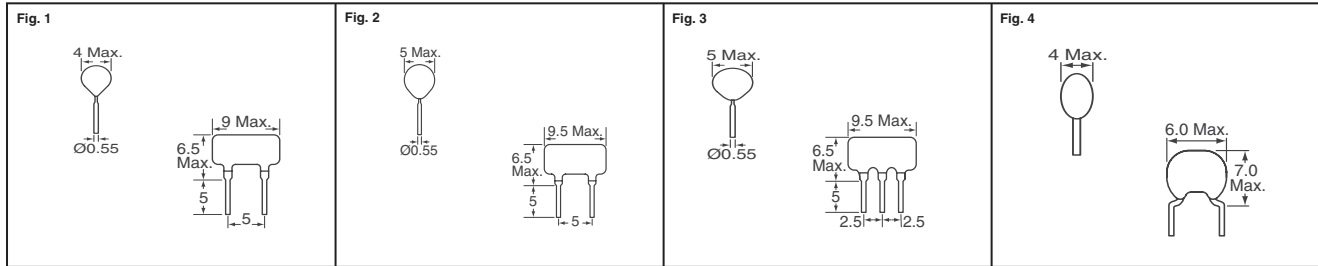
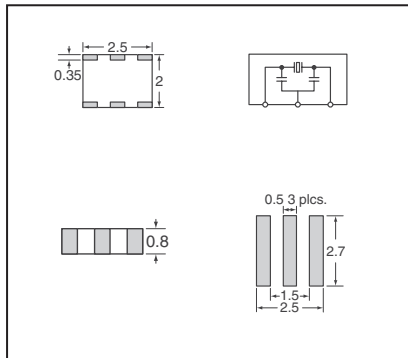


Fig.	Frequency (MHz)	Digi-Key Part No.	1	Cut Tape Pricing 10	100	Digi-Key Part No.	Tape & Reel Pricing 1,500	TDK Part No.
FCR Series								
1	16.00	445-1646-ND*	.28	2.35	18.24	—	—	FCR16.0M2G
2	4.00	445-1642-ND*	.22	1.82	14.16	—	—	FCR4.0M5
	4.19	445-1643-ND*	.22	1.82	14.16	—	—	FCR4.19M5
	6.00	445-1644-ND*	.22	1.82	14.16	—	—	FCR6.0M5
	8.00	445-1645-ND*	.23	1.86	14.43	—	—	FCR8.0M5
3	4.00	445-1638-ND*	.23	1.86	14.43	—	—	FCR4.0MC5
	4.19	445-1639-ND*	.23	1.86	14.43	—	—	FCR4.19MC5
	6.00	445-1640-ND*	.23	1.86	14.43	—	—	FCR6.0MC5
	8.00	445-1641-ND*	.24	1.97	15.25	—	—	FCR8.0MC5
4	16.00	445-2568-1-ND	.25	2.24	18.61	445-2568-2-ND	124.15/M	FCR16.0M6T
	18.00	445-2569-1-ND	.25	2.24	18.61	445-2569-2-ND	124.15/M	FCR18.0M6T
	18.43	445-2570-1-ND	.25	2.24	18.61	—	—	FCR18.43M6T
	24.00	445-2571-1-ND	.25	2.24	18.61	445-2571-3-ND†	124.15/M	FCR24.0M6T
	25.00	445-2572-1-ND	.25	2.24	18.61	—	—	FCR25.0M6T

* Bulk Packaging † Tape and Box Packaging

D

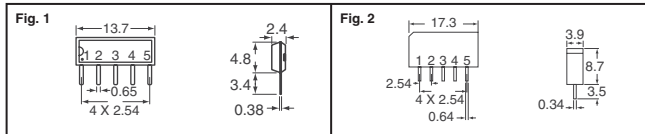
Ceramic Resonators - Surface Mount



Features: • The CCR Series are thin type ceramic chip resonators. 3rd overtone thickness mode elements are used for the 16.93 ~ 50MHz band. • Built-in load capacitance
Specifications: • Frequency Tolerance: ±0.5% • Operating Temperature: -40°C ~ 85°C

Frequency (MHz)	Digi-Key Part No.	1	Cut Tape Price Each 10	100	Digi-Key Part No.	Tape & Reel Pricing 2,000	TDK Part No.
CCR Series							
16.93	445-1648-1-ND	.46	.40	.31	445-1648-2-ND	213.87/M	CCR16.93MXC7T
20.00	445-1649-1-ND	.46	.40	.31	445-1649-2-ND	213.87/M	CCR20.0MXC7T
25.00	445-1650-1-ND	.46	.40	.31	445-1650-2-ND	213.87/M	CCR25.0MXC7T
30.00	445-1651-1-ND	.44	.38	.30	445-1651-2-ND	203.28/M	CCR30.0MXC7T
33.86	445-1652-1-ND	.44	.38	.30	445-1652-2-ND	203.28/M	CCR33.86MXC7T
48.00	445-1654-1-ND	.79	.69	.53	445-1654-2-ND	368.45/M	CCR48.0MXC7A15T

EPCOS SAW Bandpass Filters



Pin Configuration	
1	Input
2	Input - Ground
3	Chip Carrier - Ground
4	Output
5	Output

Fig.	Frequency (MHz)	Insertion Loss (dB)	Bandwidth (MHz)	Digi-Key Part No.	1	25	50	100	Epcos Part No.
1	43.75	14.8	6	495-1952-5-ND	6.94	6.02	5.55	4.63	B39438X6964M100
				495-1953-5-ND	2.32	2.01	1.86	1.55	B39438X6964N201
2	44	14.7	6	495-1691-5-ND	6.94	6.02	5.55	4.63	B39440X6965N201
				495-1954-5-ND	12.25	10.62	9.81	8.17	B39440X6855M100
				495-1690-5-ND	5.84	5.07	4.68	3.90	B39440X6941N201

Digi-Reel® Most SMT cutdown parts are available on a Digi-Reel®. For Digi-Reel part number, change 1-ND to 6-ND or CT-ND to DKR-ND. See Digi-Key® Services on page 2 for additional information.

Free shipping on orders over £50! All prices are in British pound sterling and include duties.
 1362 (UK091) uk.digikey.com — FREEPHONE: 0-800-587-0991 • 0-800-904-7786 — FREEFAX: 0-800-587-0992 • 0-800-904-7783