

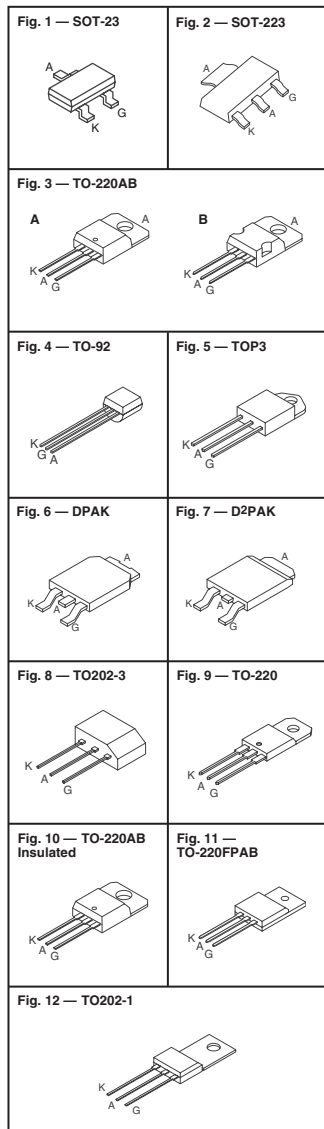
Fig.	VRRM (V)	IF	Package Type	Digi-Key Part No.	Pricing			Digi-Key Part No.	Tape and Reel		STMicroelectronics Part No.
					1	10	100		Qty.	Pricing	
16A	200	2 x 15A	Isolated TOP3	497-5278-5-ND◆	2.47	21.50	160.08	—	—	—	STTH3002CPI
	200	2 x 30A	Isolated TOP3	497-5283-5-ND◆	6.37	52.27	441.05	—	—	—	STTH6002CPI
	200	30A	Isolated TOP3	497-3807-5-ND◆	4.43	40.40	319.37	—	—	—	BYV52PI-200RG
16B	600	30A	Isolated TOP3	497-4410-5-ND◆	6.35	56.27	453.75	—	—	—	STTH3006TPI
17	400	60A	DO-247	497-5159-5-ND◆	3.65	29.97	252.87	—	—	—	STTH6004W
	600	20A	DO-247	497-6082-5-ND◆	2.93	23.00	195.15	—	—	—	STTH2006W
	600	30A	DO-247	497-5280-5-ND◆	3.56	29.27	246.99	—	—	—	STTH3006W
	600	30A	DO-247	497-4411-5-ND◆	2.56	20.12	170.76	—	—	—	STTH30L06W
	600	30A	DO-247	497-4413-5-ND◆	1.20	9.98	83.85	—	—	—	STTH30R06W
	600	60A	DO-247	497-3799-5-ND◆	4.36	35.78	301.87	—	—	—	STTH60L06W
	1,000	30A	DO-247	497-5154-5-ND◆	2.80	22.04	187.02	—	—	—	STTH3010W
	1,000	60A	DO-247	497-5160-5-ND◆	4.25	34.85	294.03	—	—	—	STTH6010W
	1,200	15A	DO-247	497-5152-5-ND◆	2.59	20.36	172.79	—	—	—	STTH1512W
	1,200	30A	DO-247	497-5156-5-ND◆	3.11	25.56	215.62	—	—	—	STTH3012W
1,200	60A	DO-247	497-5161-5-ND◆	4.25	34.85	294.03	—	—	—	STTH6012W	
18	600	3A	TO-220FPAB F5	497-4193-5-ND◆	1.06	9.21	70.79	—	—	—	DMV1500LF5
	600	3A	TO-220FPAB F5	497-4197-5-ND◆	1.37	10.86	92.64	—	—	—	DMV1500MFD5
19	600	6A	TO-220FPAB FD6	497-4199-5-ND◆	1.37	10.86	92.64	—	—	—	DMV1500SDFD6

◆ RoHS Compliant ‡ Cut Tape § Ammo Pack

SCRs

Fig.	VDRM (V)	I _{T(RMS)} (A)	I _{GT}	Package	Digi-Key Part No.	Price Each			Digi-Key Part No.	Tape and Reel		STMicroelectronics Part No.
						1	10	100		Qty.	Pricing	
1	200	.25	200µA	SOT-23	497-2527-1-ND◆‡	.62	.49	.42	497-2527-2-ND◆	3,000	248.30/M	P0102BL 5AA4
	400	0.8	200mA	SOT-223	497-2523-1-ND◆‡	.52	.41	.35	497-2523-2-ND◆	1,000	232.32	P0102DN 5AA4
	600	0.8	200mA	SOT-223	497-4649-1-ND◆‡	.62	.49	.42	497-4649-2-ND◆	1,000	275.88	P0102MN 5AA4
	600	0.8	200mA	SOT-223	497-5775-1-ND◆‡	.54	.42	.36	497-5775-2-ND◆	1,000	239.58	X00602MN5BA4
	600	1.25	200mA	SOT-223	497-2532-1-ND◆‡	.65	.51	.44	497-2532-2-ND◆	1,000	290.40	X0202MN 5BA4
2	200	8	15mA	TO-220AB	497-4483-5-ND◆	1.06	.93	.71	—	—	—	TYN208RG
	200	25	40mA	TO-220AB	497-3279-5-ND	1.28	1.02	.87	—	—	—	TYN225RG
	400	8	25mA	TO-220AB	497-4484-5-ND◆	1.22	.97	.83	—	—	—	TYN408GRG
	600	6	15mA	TO-220AB	497-4485-5-ND◆	.94	.75	.64	—	—	—	TYN606RG
	600	8	200mA	TO-220AB	497-2551-5-ND◆	1.18	.94	.81	—	—	—	TS820-600T
	600	40	35mA	TO-220AB	497-2422-5-ND◆	2.59	2.04	1.73	—	—	—	TYN640RG
	800	4	15mA	TO-220AB	497-4488-5-ND◆	1.22	.97	.83	—	—	—	TYN804RG
	800	10	15mA	TO-220AB	497-4489-5-ND◆	1.22	.97	.83	—	—	—	TYN810RG
	800	12	15mA	TO-220AB	497-4490-5-ND◆	1.22	.97	.83	—	—	—	TYN812RG
	800	16	25mA	TO-220AB	497-4491-5-ND◆	1.25	.99	.85	—	—	—	TYN816RG
	800	25	40mA	TO-220AB	497-3793-5-ND◆	2.95	2.42	2.05	—	—	—	TYN825RG
	800	40	35mA	TO-220AB	497-3792-5-ND◆	3.96	3.26	2.75	—	—	—	TYN840RG
1000	6	15mA	TO-220AB	497-4481-5-ND◆	.95	.83	.64	—	—	—	TYN1006RG	
1000	8	15mA	TO-220AB	497-4482-5-ND◆	1.04	.90	.69	—	—	—	TYN1008RG	
3B	600	12	5mA	TO-220AB	497-4487-5-ND◆	1.22	.97	.83	—	—	—	TYN612MRG
4	400	0.8	1mA	TO-92	497-3713-1-ND◆‡	.59	.46	.40	497-3713-2-ND◆	2,000	235.23/M	P0115DA 5AL3
	400	0.8	5mA	TO-92	497-6200-1-ND◆‡	.49	.36	.29	497-6200-2-ND◆	2,000	139.39/M	P0118DA 5AL3
	400	0.8	200mA	TO-92	497-6199-1-ND◆‡	.49	.36	.29	497-6199-2-ND◆	2,000	161.17/M	P0102DA 5AL3
	600	0.8	200mA	TO-92	497-3321-1-ND◆‡	.49	.39	.33	497-3321-2-ND◆	2,000	196.02/M	X00602MA 5AL2
	600	0.8	200mA	TO-92	497-4504-1-ND◆‡	.41	.32	.23	497-4504-3-ND◆§	2,000	110.35/M	X00602MA 2AL2
	600	0.8	200mA	TO-92	497-4281-ND◆	.33	.26	.19	—	—	—	P0102MA1AA3
	600	0.8	25mA	TO-92	497-4282-1-ND◆‡	.36	.28	.20	—	—	—	P0111MA2AL3
	600	0.8	25mA	TO-92	497-4618-ND◆	.33	.26	.18	—	—	—	P0111MA 1AA3
	600	0.8	5mA	TO-92	497-4283-1-ND◆‡	.36	.28	.20	497-4283-2-ND◆	2,000	96.56/M	P0118MA 5AL3
	600	1.25	200mA	TO-92	497-2421-ND	.53	.39	.32	—	—	—	X020MA 1BA2
5	200	30	50mA	TOP3	497-4185-5-ND◆	6.09	5.00	4.22	—	—	—	BTW68-200RG
	200	50	80mA	TOP3	497-4186-5-ND◆	5.78	4.74	4.00	—	—	—	BTW69-200RG
	600	30	50mA	TOP3	497-3804-5-ND◆	6.91	5.67	4.79	—	—	—	BTW68-600RG
	800	30	80mA	TOP3	497-3805-5-ND◆	7.02	5.77	4.87	—	—	—	BTW68-800RG
	1000	30	50mA	TOP3	497-4184-5-ND◆	6.10	5.00	4.22	—	—	—	BTW68-1000RG
6	600	4	200mA	DPAK	497-3276-1-ND◆‡	1.15	.92	.78	497-3276-2-ND	2,500	470.09/M	TS420-600B-TR
	600	8	.2mA	DPAK	497-5234-1-ND◆‡	.91	.72	.62	497-5234-2-ND◆	2,500	368.45/M	TS820-600B-TR
	600	15	15mA	DPAK	497-5171-1-ND◆‡	.91	.72	.62	497-5171-2-ND◆	2,500	368.45/M	TN1515-600B-TR
	800	8	.2mA	DPAK	497-6159-1-ND◆‡	1.28	1.02	.87	497-6159-2-ND◆	2,500	520.91/M	TN815-800B-TR
7	800	25	40mA	D2PAK	497-6158-1-ND◆‡	2.74	2.16	1.83	497-6158-2-ND◆	1,000	1143.45	TN2540-800G-TR
	1000	16	25mA	D2PAK	497-3740-1-ND◆‡	1.98	1.56	1.33	497-3740-2-ND◆	1,000	825.83	TN1625-1000G-TR
8	600	4	200mA	TO202-3	497-3322-ND◆	.94	.75	.64	—	—	—	X0402MF 1AA2
	600	4	200mA	TO202-3	497-3322-5-ND◆	.49	.39	.33	—	—	—	X0402MF 0AA2
9	800	20	25mA	TO-220	497-3562-5-ND	2.34	1.85	1.57	—	—	—	TXN692RG
	400	8	25mA	TO-220AB	497-4480-5-ND◆	1.31	1.04	.89	—	—	—	TXN408GRG
10	600	12	15mA	TO-220AB	497-3561-5-ND	1.68	1.32	1.12	—	—	—	TXN612RG
	1000	12	15mA	TO-220AB	497-4479-5-ND◆	2.29	1.80	1.53	—	—	—	TXN1012RG
	600	12	5mA	TO-220FPAB	497-4486-5-ND◆	.94	.75	.64	—	—	—	TYN612MFP
11	800	4	200mA	TO202-1	497-4506-ND◆	.52	.41	.35	—	—	—	X0402NE 1AA2

◆ RoHS Compliant ‡ Cut Tape § Ammo Pack



Digi-Reel® Most SMT cutdown parts are available on a Digi-Reel®. For Digi-Reel part number, change 1-ND to 6-ND or CT-ND to DKR-ND. See Digi-Key® Services on page 2 for additional information.

Free shipping on orders over £50! All prices are in British pound sterling and include duties.

uk.digikey.com — FREEPHONE: 0-800-587-0991 • 0-800-904-7786 — FREEFAX: 0-800-587-0992 • 0-800-904-7783

(UK091) 1201