

C

Fig.	Package	V <sub>DRM</sub> (V)	I <sub>T</sub> (RMS) (A)	I <sub>GT</sub> (mA)	Digi-Key Part No.	Cut Tape Pricing			Digi-Key Part No.	Tape and Reel		NXP Part No.
						1	25	100		Qty.	Pricing	
4	SOT-223	800	1	10	568-3702-1-ND	.58	10.86	32.58	568-3702-2-ND	4,000	188.20/M	BT204W-800E /T3
		600	1	3	568-2193-1-ND	.35	6.90	20.69	568-2193-2-ND	4,000	93.11/M	Z0103MN /T3
		800	1	3	568-2194-1-ND	.35	6.90	20.69	568-2194-2-ND	4,000	93.11/M	Z0103NN /T3
		600	1	5	568-2195-1-ND	.35	6.90	20.69	568-2195-2-ND	4,000	93.11/M	Z0107MN /T3
		800	1	5	568-2196-1-ND	.35	6.90	20.69	568-2196-2-ND	4,000	93.11/M	Z0107NN /T3
		600	1	10	568-2197-1-ND	.35	6.90	20.69	568-2197-2-ND	4,000	93.11/M	Z0109MN /T3
5	D2PAK	800	1	10	568-2198-1-ND	.35	6.90	20.69	568-2198-2-ND	4,000	93.11/M	Z0109NN /T3
		600	16	25	568-3668-1-ND	1.05	21.87	69.99	—	—	—	BT139B-600E /T3
		1000	8	35	568-3712-1-ND	.70	14.08	42.25	568-3712-2-ND	800	304.22	BT208B-1000C /T3
		600	12	50	568-3725-1-ND	1.08	22.47	71.90	—	—	—	BT212B-600B /T3
		600	12	5	568-3726-1-ND	.98	19.59	58.78	—	—	—	BT212B-600D /T3
		600	12	10	568-3727-1-ND	.99	19.81	59.42	—	—	—	BT212B-600E /T3
		600	12	25	568-3728-1-ND	.97	19.51	58.54	—	—	—	BT212B-600F /T3
		600	16	50	568-3736-1-ND	1.05	20.99	62.96	—	—	—	BT216B-600B /T3
		600	16	5	568-3737-1-ND	1.15	23.01	69.01	—	—	—	BT216B-600D /T3
		600	16	10	568-3738-1-ND	1.15	23.01	69.01	—	—	—	BT216B-600E /T3
		600	16	25	568-3739-1-ND	1.15	23.01	69.01	568-3739-2-ND	800	496.87	BT216B-600F /T3
		6	DPAK	800	16	50	568-3740-1-ND	1.05	20.99	62.96	—	—
800	25			50	568-1780-1-ND	1.42	28.51	85.53	568-1780-2-ND	800	615.81	BT225B-800B /T3
600	4			70	568-3652-1-ND	.65	13.61	43.56	568-3652-2-ND	2,500	283.14/M	BT136S-600 /T3
600	4			10	568-3653-1-ND	.52	9.80	29.40	568-3653-2-ND	2,500	169.89/M	BT136S-600D /T3
600	4			25	568-3654-1-ND	.70	13.02	39.04	—	—	—	BT136S-600E /T3
800	4			25	568-3655-1-ND	.73	15.11	48.35	568-3655-2-ND	2,500	314.29/M	BT136S-800E /T3
600	8			10	568-3660-1-ND	.61	11.43	34.30	568-3660-2-ND	2,500	198.20/M	BT137S-600D /T3
600	8			25	568-3661-1-ND	.55	11.48	36.74	—	—	—	BT137S-600E /T3
600	4			50	568-3696-1-ND	.62	11.52	34.56	568-3696-2-ND	2,500	199.71/M	BT204S-600B /T3
600	4			35	568-3697-1-ND	.62	11.56	34.68	—	—	—	BT204S-600C /T3
600	4			25	568-3698-1-ND	.65	12.21	36.63	—	—	—	BT204S-600F /T3
600	8			5	568-3713-1-ND	.70	14.62	46.78	568-3713-2-ND	2,500	304.10/M	BT208S-600D /T3
600	8	10	568-3714-1-ND	.69	14.39	46.04	568-3714-2-ND	2,500	299.28/M	BT208S-600E /T3		
600	8	25	568-3715-1-ND	.69	14.39	46.04	568-3715-2-ND	2,500	299.28/M	BT208S-600F /T3		

† Bulk

Thyristors

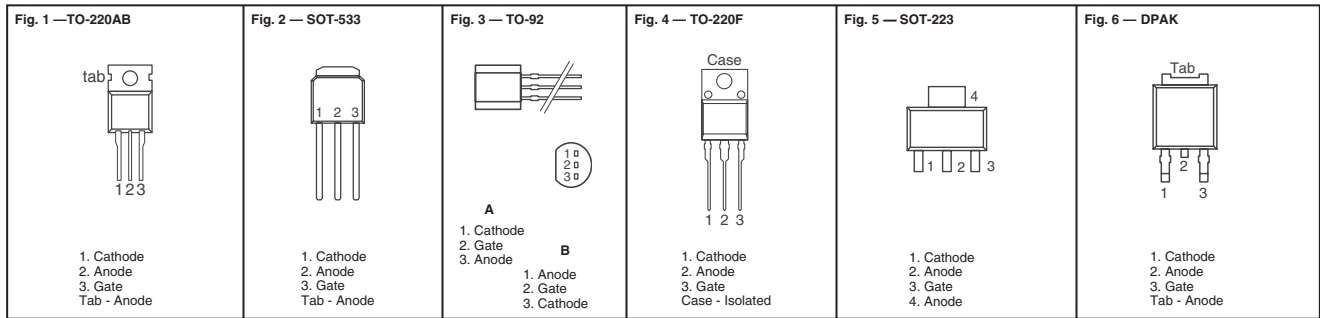
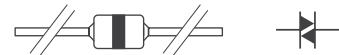


Fig.	Package	V <sub>DRM</sub> (V)	On State RMS Current I <sub>T</sub> (RMS)	Peak Surge Current I <sub>TSM</sub> (A)	Peak Gate Power P <sub>GM</sub> (W)	Digi-Key Part No.	Pricing			NXP Part No.
							1	25	100	
1	TO-220AB	800	25	300	20	568-3670-5-ND	.98	20.42	65.34	BT145-800R
		500	12	100	5	568-1775-ND	.69	12.87	38.62	BT151-500C
		500	12	120	5	568-3673-5-ND	.57	10.62	31.86	BT151-500R
		650	12	100	5	568-1776-ND	.69	12.87	38.62	BT151-650C
		650	12	120	5	568-3674-5-ND	.60	11.15	33.45	BT151-650R
		800	12	100	5	568-1777-ND	.69	12.87	38.62	BT151-800C
		800	12	120	5	568-3675-5-ND	.55	11.43	36.59	BT151-800R
		450	20	200	20	568-3676-5-ND	.83	17.24	55.18	BT152-400R
		650	20	200	20	568-3677-5-ND	.69	14.29	45.74	BT152-600R
		800	20	200	20	568-3678-5-ND	.73	15.25	48.79	BT152-800R
2	SOT-533	500	12	100	5	568-1778-ND	.58	12.02	38.48	BT151U-500C
3A	TO-92	600	0.8	8	2	568-3672-ND	.29	5.67	15.97	BT149G
3B	TO-92	500	0.8	8	2	568-3680-ND	.29	5.67	15.97	BT168E
		600	0.8	8	2	568-3681-ND	.29	5.67	15.97	BT168G
		600	0.8	8	2	568-3683-ND	.29	5.67	15.97	BT169G
4	TO-220F	450	20	200	20	568-3679-ND	.89	18.61	59.53	BT152X-400R
5	SOT-223	600	1	10	1.2	568-3671-1-ND†	.46	8.71	26.14	BT148W-600R T/R
		600	1	10	1.2	568-3671-2-ND‡	—	154.49/1,000	—	BT148W-600R T/R
		600	1	8	2	568-3682-1-ND‡	.29	5.81	17.42	BT168GW T/R
		600	1	8	2	568-3682-2-ND‡	—	81.31/1,000	—	BT168GW T/R
6	DPAK	600	8	65	5	568-3684-1-ND‡	.76	15.70	50.24	BT300S-600R /T3
		600	8	65	5	568-3684-2-ND‡	—	816.39/2,500	—	BT300S-600R /T3

† Cut Tape ‡ Tape and Reel

Diacs



Package	V <sub>(BO)</sub> (V)		V <sub>(BO)</sub> Symmetry (V) Maximum	Breakover Current I <sub>(BO)</sub> Maximum (µA)	Digi-Key Part No.	Cut Tape Pricing		Digi-Key Part No.	Tape and Reel Pricing		NXP Part No.
	Minimum	Maximum				25	100		10,000		
SOD-27	28	36	3.5	50	568-1767-1-ND	.43	8.57	25.70	568-1767-2-ND	109.23/M	BR100/03 T/R

Digi-Reel® Most SMT cutdown parts are available on a Digi-Reel®. For Digi-Reel part number, change 1-ND to 6-ND or CT-ND to DKR-ND. See Digi-Key® Services on page 2 for additional information.

1168 (UK091) Free shipping on orders over £50! All prices are in British pound sterling and include duties.  
uk.digikey.com — FREEPHONE: 0-800-587-0991 • 0-800-904-7786 — FREEFAX: 0-800-587-0992 • 0-800-904-7783