

**ASIC Cooling Solutions**

Custom maxiFLOW™ Heat Sinks, Black Anodized

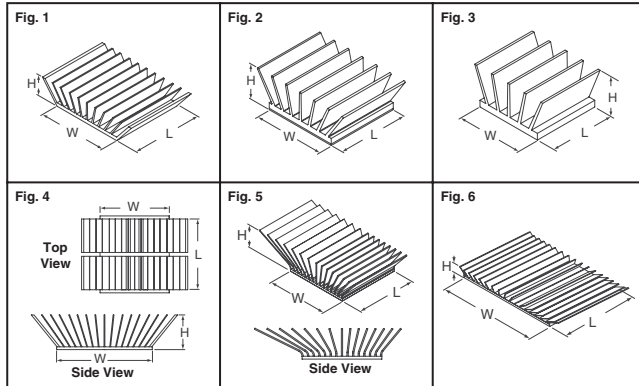


Fig.	Dimensions (mm)			Thermal Resistance		Digi-Key Part No.	Price Each		
	L	W	H	Unducted Flow @ 200 LFM (1m/sec.)	Ducted Flow @ 200 LFM (1m/sec.)		1	10	100
<b>With Tape</b>									
1	30	30	9	4.0	2.2	ATS1331-ND	8.08	6.15	5.28
	40	30	5	7.9	4.8	ATS1335-ND	9.60	7.39	6.19
	50	45	15	2.8	1.65	ATS1336-ND	12.54	9.69	8.13
	50	45	12.5	3.9	1.7	ATS1337-ND	12.58	10.19	8.54
	45	45	15	2.4	1.7	ATS1338-ND	12.73	10.31	8.64
	50	45	16.5	2.1	1.3	ATS1339-ND	13.39	10.84	9.09
	50	45	8.5	4.0	2.3	ATS1341-ND	9.68	7.45	6.25
2	57.5	57.5	12.5	2.3	1.1	ATS1342-ND	16.48	13.44	11.54
	19	19	9	5.3	3.3	ATS1332-ND†	4.62	3.38	2.76
3	25	25	4	9.0	5.2	ATS1333-ND	6.90	5.18	4.32
4	15	15	9	12.0	9.0	ATS1334-ND	9.36	7.20	6.04
5	58	30	9	4.8	2.4	ATS1340-ND	9.54	7.34	6.15
6	42	42	16	2.8	1.4	ATS1343-NDΔ	14.93	11.73	10.13
	42	42	16	2.2	1.2	ATS1344-NDΔ	15.65	12.76	10.96
<b>Without Tape</b>									
1	30	30	9	4.0	2.2	ATS1345-ND	7.75	5.90	5.06
	40	30	5	7.9	4.8	ATS1349-ND	9.33	7.18	6.02
	50	45	15	2.8	1.65	ATS1350-ND	12.27	9.48	7.95
	50	45	12	3.9	1.7	ATS1351-ND	12.32	9.98	8.36
	45	45	15	2.4	1.7	ATS1352-ND	12.47	10.10	8.47
	57.5	57.5	12.5	2.3	1.1	ATS1356-ND	16.23	13.23	11.37
	19	19	9	5.3	3.3	ATS1346-ND†	4.25	3.11	2.54
2	25	25	4	9.0	5.2	ATS1347-ND	6.55	4.92	4.10
3	15	15	9	12.0	8.0	ATS1348-ND	9.03	6.95	5.83
4	50	45	8.5	4.0	2.3	ATS1355-ND	9.41	7.24	6.07
6	50	45	16	2.1	1.3	ATS1353-ND	13.28	10.44	9.02
	58	30	9	4.8	2.4	ATS1354-ND	9.26	7.13	5.97

† Red Anodized Δ Gold Anodized

**LGA Cooling Solutions (For Freescale MPC 8641D)**

Black Anodized, Includes Mounting Hardware

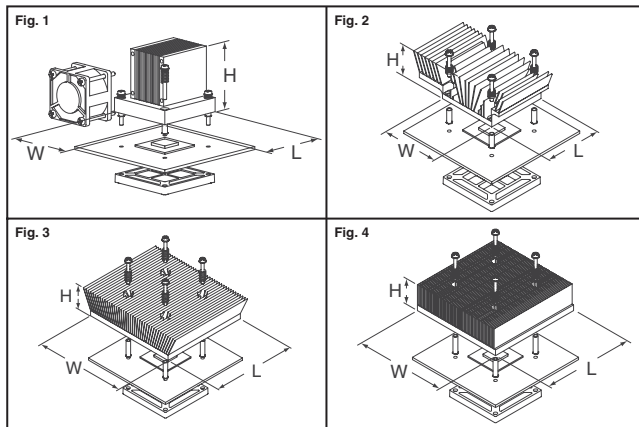


Fig.	Dimensions (mm)			Thermal Resistance		Digi-Key Part No.	Price Each		
	L	W	H	Unducted Flow @ 200 LFM (1m/sec.)	Ducted Flow @ 200 LFM (1m/sec.)		1	10	100
1	56	56	52	—	0.51	ATS1357-ND	52.73	45.20	39.93
2	56	56	31	1.01	0.6	ATS1358-ND	21.59	17.60	15.12
3	94	101	27	1.00	0.5	ATS1359-ND	43.57	36.31	32.68
4	94	94	27	1.38	0.8	ATS1360-ND	38.06	31.48	27.78

**Custom Cooling Solutions**

Using maxiGRIP™ Attachment For Flip-Chip Processors (such as Freescale MPCs) — Black Anodized, Phase Change Material

Not to be used with maxiGRIP Installation and Removal Tools

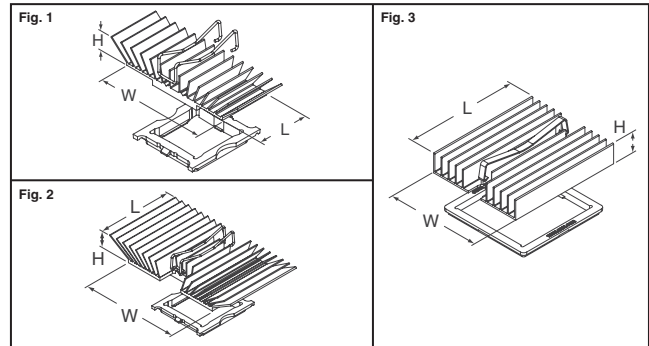
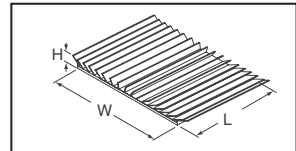


Fig.	Dimensions (mm)			Component Size (mm)	Thermal Resistance		Digi-Key Part No.	Price Each	
	L	W	H		Unducted Flow @ 200 LFM (1m/sec.)	Ducted Flow @ 200 LFM (1m/sec.)		1	10
1	21	45	9	21 x 21	6.1	4.2	ATS1365-ND	19.92	16.24
	28	45	11	21 x 21	4.5	3.0	ATS1366-ND	21.13	17.22
	25	32	13	25 x 25	6.5	3.8	ATS1367-ND	19.56	15.94
2	32	50	12	25 x 25	3.8	2.4	ATS1368-ND	13.74	10.80
	32	50	12	25 x 25	3.2	1.9	ATS1369-ND	13.89	10.92
	29	37	10	29 x 29	6.2	3.8	ATS1370-ND	15.22	11.96
	29	37	11	29 x 29	6.2	3.8	ATS1371-ND	14.59	11.90
	35	46	16.75	35 x 35	2.42	1.6	ATS1372-ND	12.23	9.46
3	35	46	16.75	35 x 35	2.42	1.6	ATS1373-ND	12.27	9.48
	62	52	13	42.5 x 42.5	3.2	1.8	ATS1374-ND†	15.22	11.96
	62	52	13	42.5 x 42.5	3.2	1.8	ATS1375-ND	14.88	12.13

† High Conductivity Thermal Tape

**Blue Ice — Low Profile**

Custom maxiFLOW™ Heat Sinks BGA Cooling Solutions with Thermal Tape — Blue Anodized



Dimensions (mm)	Thermal Resistance		Digi-Key Part No.	Price Each				
	Unducted Flow @ 200 LFM (1m/sec.)	Ducted Flow @ 200 LFM (1m/sec.)		1	10	100		
25.2	25.2	4	14.8	7.8	ATS1376-ND	7.56	5.76	4.94
37.6	37.6	4	7.8	3.8	ATS1377-ND	8.87	6.82	5.72
61	58.2	5.5	4.0	2.3	ATS1378-ND†	9.42	7.25	6.08
61	58.2	7	2.2	1.4	ATS1379-ND	9.75	7.50	6.29
61	58.2	6.1	3.6	2.2	ATS1380-NDΔ	9.59	7.38	6.18

† Gold Anodized Δ Black Anodized

**LED Heat Sinks**

For LED Lighting Modules, Black Anodized

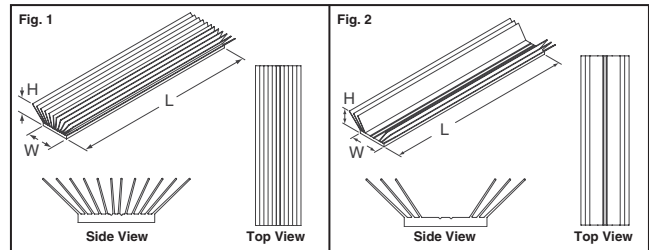


Fig.	Dimensions (mm)			Thermal Resistance		Digi-Key Part No.	Price Each		
	L	W	H	Unducted Flow @ 200 LFM (1m/sec.)	Ducted Flow @ 200 LFM (1m/sec.)		1	10	100
1	330	45	26	1.2	0.6	ATS1361-ND	21.05	17.16	14.74
	305	45	26	1.3	0.6	ATS1362-ND	19.60	15.98	13.73
2	305	45	26	0.6	0.6	ATS1363-ND	16.70	13.61	11.69
	305	45	26	0.6	0.6	ATS1364-ND†	19.60	15.98	13.73

† Thermal Tape

**Free shipping on orders over £50! All prices are in British pound sterling and include duties.**

uk.digikey.com — FREEPHONE: 0-800-587-0991 • 0-800-904-7786 — FREEFAX: 0-800-587-0992 • 0-800-904-7783

(UK091) 1117