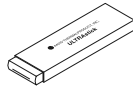


# AAVID THERMALLOY Heat Sinks

Aavid's Ultrastick™ is a unique phase-change thermal interface material that surpasses grease in thermal performance and long-term stability. This solid, silicone free, paraffin based thermal compound changes phase at 60°C, with a concurrent volumetric expansion that fills gaps between the mating surfaces. One cost effective application leaves a thin, film like deposit, providing excellent heat transfer and low interface thermal resistance.



### Features:

- Thermal resistance 20% lower than thermal grease, with significant long-term reliability benefits
- Excellent heat transfer properties, consistent at mounting pressures from less than 5 psi to more than 200 psi
- No run-out, migration, dry-out, or flaking that can occur with typical thermal grease
- Non-toxic and inert
- Electrically non-conductive
- Easy to use and dry to the touch after application, reducing labor costs
- Each bar covers approximately 1,000 in<sup>2</sup>

HS243-ND.....15.88

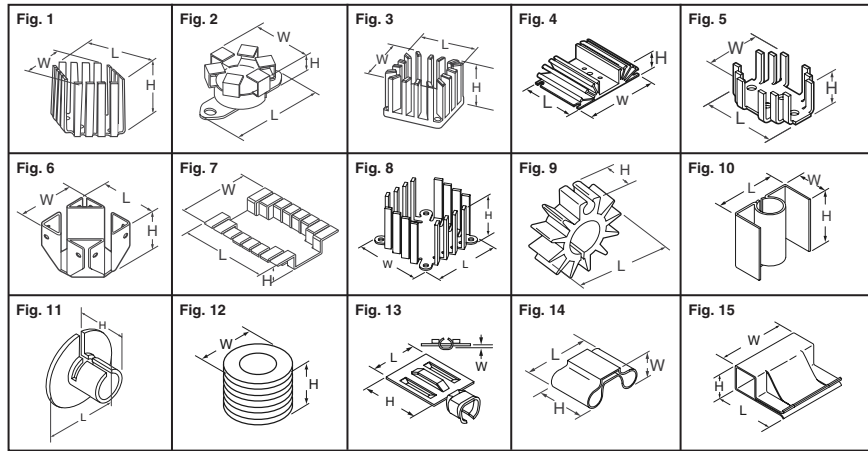


Fig.	Description	Dimensions – Inch (mm) L x W x H	Thermal Resistance °C/W	Digi-Key Part No.	Price Each			Aavid Part No.
					1	10	100	
1	TO-3, Compact Heat Sink, 5W, Black	1.88 x 1.40 x .50 (47.75 x 35.56 x 12.70)	11.5	HS148-ND◆	.64	.58	.45	501303B00000G
	TO-3, Compact Heat Sink, 7W, Black	1.88 x 1.40 x .75 (47.75 x 35.56 x 19.05)	8.3	HS149-ND◆	.69	.62	.49	501403B00000G
	TO-3, With Wave-On Mounts, 9W, Black	1.88 x 1.40 x .75 (47.75 x 35.56 x 19.05)	8.3	HS267-ND	1.97	1.78	1.38	501403B00100
	TO-3, With Wave-On Mounts, 9W, Black	1.88 x 1.40 x .75 (47.75 x 35.56 x 19.05)	8.3	HS384-ND◆	2.04	1.84	1.43	501403B00100G
	TO-3, Compact Heat Sink, 8.5W, Black	1.88 x 1.40 x 1.00 (47.75 x 35.56 x 25.40)	6.3	HS248-ND◆	.95	.86	.67	501503B00000G
	TO-3, With Wave-On Mounts, 9W, Black	1.88 x 1.40 x 1.00 (47.75 x 35.56 x 25.40)	6.3	HS269-ND	1.89	1.71	1.33	501503B00100
2	TO-3, Compact Heat Sink, 9.5W, Black	1.88 x 1.40 x 1.25 (47.75 x 35.56 x 31.75)	5.4	HS110-ND◆	.97	.88	.68	501603B00000G
	TO-3, Compact, 9W, Gold	1.88 x 1.40 x 1.25 (47.75 x 35.56 x 31.75)	5.4	HS270-ND◆	.87	.79	.61	501603C00000
	TO-3, Expandable Collar Type (Can be used with Fig. 1), Black	1.54 x 1.125 x .87 (39.12 x 28.57 x 22.10)	22.0	HS236-ND◆	.70	.64	.50	579103B00000G
	TO-3, 25W, Black	1.81 x 1.81 x 1.25 (45.97 x 45.97 x 31.75)	5.4	HS103-1.25-ND◆	3.69	3.32	2.59	568303B00000G
	TO-3, 17W, Black	1.81 x 1.81 x .50 (45.97 x 45.97 x 12.70)	12.5	HS103-0.5-ND◆	3.67	3.30	2.57	568303B00000G
	TO-3, Free/Forced Air No Holes, 12W, Black	1.83 x 1.83 x .50 (46.48 x 46.48 x 12.70)	5.4	HS291-ND◆	3.72	3.35	2.61	568003B00000G
3	TO-3, Free or Forced Air Cooling, 12W, Black	1.83 x 1.83 x .75 (46.48 x 46.48 x 19.05)	5.4	HS293-ND◆	6.00	5.40	4.20	568003B00000G
	TO-3, Free or Forced Air Cooling, 12W, Black	1.81 x 1.81 x 1.00 (45.97 x 45.97 x 25.40)	5.4	HS294-ND◆	5.53	4.98	3.88	568203B00000G
	TO-3, Power Cooler, 50W, Black	3.00 x 4.125 x 1.00 (76.20 x 104.78 x 25.40)	5.4	HS117-ND◆	5.54	4.99	3.88	198540B00000
	TO-3, Space Saver, 6W, Black	1.63 x 1.29 x .75 (41.40 x 32.77 x 19.05)	5.4	HS140-ND◆	1.17	1.05	.82	502203B00000
	TO-3, Space Saver, 8W, Black	1.63 x 1.29 x 1.00 (41.40 x 32.77 x 25.40)	5.4	HS141-ND◆	1.60	1.45	1.13	502303B00000
	TO-3, Space Saver, 12W, Black	1.63 x 1.29 x 1.25 (41.40 x 32.77 x 31.75)	5.4	HS142-ND◆	1.50	1.35	1.05	502403B00000
4	TO-3, Heat Sink, Fold-Back Fins, No Holes, 10W, Black	1.83 x 1.83 x 1.31 (46.48 x 46.48 x 33.27)	5.4	HS296-ND◆	2.21	1.98	1.55	569000B00000G
	TO-3, Fold-Back Fins, 20W, Black	1.83 x 1.83 x 1.31 (46.48 x 46.48 x 33.27)	5.4	HS110-3-ND◆	1.07	.97	.75	569003B00000G
	TO-3, Fold-Back Fins, 10W, Gold	1.83 x 1.83 x 1.31 (46.48 x 46.48 x 33.27)	5.4	HS298-ND	1.02	.92	.72	569003C00000
	TO-220, Dual Mount Power Cooler, 20W, Black	1.83 x 1.83 x 1.31 (46.48 x 46.48 x 33.27)	5.5	HS110-220-ND◆	1.35	1.22	.95	569022B00000G
	TO-3, Universal Hole Pattern, Low Profile, Black	2.00 x 1.75 x .375 (50.80 x 44.45 x 9.53)	7.0	HS228-ND◆	.76	.69	.54	506007B00000G
	TO-3, Stanted Fin, 10W, Black	1.81 x 1.81 x .50 (45.97 x 45.97 x 12.70)	3.5	HS260-ND◆	1.59	1.43	1.12	500103B00000G
5	TO-3, Stanted Fin, 12W, Black	1.81 x 1.81 x 1.25 (45.97 x 45.97 x 31.75)	2.5	HS264-ND◆	1.54	1.39	1.08	500403B00000G
	TO-3, Stanted Fin, 14W, Black	2.5 x 2.5 x .90 (63.50 x 63.50 x 22.86)	4.9	HS265-ND◆	1.92	1.73	1.35	500503B00000G
	TO-5, High Performance, 2W, Black	.75 dia x .25 (19.05 dia x 6.35)	56.0	HS101-ND◆	.83	.75	.58	323005B00000G
	TO-5, Press-On, 1W, Black	.5 dia x .25 (12.7 dia x 6.35)	56.0	HS253-ND◆	1.25	1.13	.86	320205B00000G
	TO-5, Press-On, High Performance, 1W, Black	.50 dia x .375 (12.70 dia x 9.52)	30.0	HS259-ND◆	.93	.84	.65	326005B00000G
	TO-5, Snap-On Cooler, 1.5W, Black	.83 x .395 x .50 (21.08 x 10.03 x 12.70)	38.0	HS217-ND◆	.37	.27	.19	578205B00000G
6	TO-5, Snap-On Cooler, 2W, Black	.83 x .395 x .75 (21.08 x 10.03 x 19.05)	35.0	HS218-ND◆	.34	.25	.18	578305B00000G
	TO-5, Dual Fin Press-Fit Heat Sink, Black	.75 dia x .40 (19.05 dia x 10.16)	56.0	HS242-ND◆	1.79	1.61	1.26	322505B00000G
	TO-5, Press-On, 1.25W, Black	.75 dia x .25 (19.05 dia x 6.35)	40.0	HS257-ND◆	1.81	1.63	1.27	322605B00000G
	TO-5, Press-On, 1.25W, Gold	.75 dia x .25 (19.05 dia x 6.35)	40.0	HS258-ND◆	1.83	1.65	1.29	322605C00000
	TO-92 and TO-18, Press Fit, 1W, Black	.50 dia x .235 (12.70 dia x 5.97)	100.0	HS100-ND◆	.94	.85	.66	322400B00000G
	TO-5, 2 Piece Part for Max Dissipation, 1W, Gold	.625 dia x .271 (15.88 dia x 6.88)	22.0	HS254-ND	5.23	4.71	3.66	311127C00000
7	TO-5 & TO-39, 2 Piece Part for Max Dissipation, 2W, Black	.75 dia x .290 (19.05 dia x 7.37)	20.0	HS255-ND◆	8.17	7.36	5.73	312127B00000G
	TO-92, Press Fit Heat Sink, For Standard or Modified Package, Black	.60 x .05 x .50 (15.24 x 1.27 x 12.70)	64.0	HS251-ND◆	.33	.24	.17	575200B00000G
	TO-126, Vertical Mount Clip-On Cooler, Black	.775 x .32 x .52 (19.69 x 8.13 x 13.21)	26.0	HS216-ND◆	.33	.24	.17	577500B00000G
	TO-202, Compact Clip-On Heat Sink, Black	.58 x .80 x .25 (14.73 x 20.32 x 6.35)	28.0	HS247-ND◆	.41	.30	.21	574004B00000G
	TO-202, Low Profile Heat Sink, Black	.52 x .375 x .75 (13.21 x 9.53 x 19.05)	27.2	HS214-ND◆	.32	.23	.16	577304B00000G
	TO-202, Low Profile Heat Sink, Black	.52 x .50 x .75 (13.21 x 12.70 x 19.05)	24.0	HS215-ND◆	.32	.23	.16	577404B00000G
8	TO-220, Compact Heat Sink, Black	.52 x .25 x .75 (13.21 x 6.35 x 19.05)	32.0	HS105-ND◆	.29	.21	.15	577002B00000G
	TO-220, Compact Heat Sink, Black	.52 x .375 x .75 (13.21 x 9.53 x 19.05)	25.9	HS106-ND◆	.26	.19	.13	577102B00000G
	TO-220, Compact Heat Sink, Black	.52 x .50 x .75 (13.21 x 12.70 x 19.05)	24.4	HS107-ND◆	.26	.19	.14	577202B00000
	TO-220, Low Profile, 2.5W, Gold	.75 x .75 x .375 (19.05 x 19.05 x 9.52)	24.0	HS272-ND◆	.25	.23	.18	507302C00000
	TO-220, Low Profile, Low Cost Cooler, 2.5W, Black	.75 x .75 x .375 (19.05 x 19.05 x 9.53)	24.0	HS115-ND◆	.29	.21	.15	507302B00000G
	TO-220, 2 Hole Pattern Heat Sink, Black	1.00 x .50 x 1.18 (25.40 x 12.70 x 29.97)	16.7	HS230-ND◆	.41	.32	.24	530613B00000G
9	TO-220, Horizontal/Vertical Mount, 4.5W, Black	1.00 x 1.18 x .50 (25.40 x 29.97 x 12.70)	30.7	HS278-ND◆	.34	.24	.17	530614B00000G
	TO-220, Horizontal/Vertical Mount, 3.7W, Gold	1.00 x .71 x .50 (25.40 x 18.03 x 12.70)	20.3	HS279-ND◆	.25	.22	.18	530714C00000
	TO-220, Compact Heat Sink, With Tabs, Black	.52 x .25 x .75 (13.21 x 6.35 x 19.05)	32.0	HS367-ND◆	.33	.31	.24	577002B04000G
	TO-220, Compact Heat Sink, With Center Tabs, Black	.52 x .375 x .75 (13.21 x 9.53 x 19.05)	25.9	HS368-ND◆	.33	.30	.24	577102B04000G
	TO-220, Low Cost Vertical Mount, With Front Tabs, Black	1.00 x .50 x 1.18 (25.40 x 12.70 x 29.97)	13.6	HS362-ND◆	2.71	2.44	1.90	575002T00000G
	TO-220, Low Cost Vertical Mount, With Front Tabs, Black	1.00 x .50 x 1.18 (25.40 x 12.70 x 29.97)	13.6	HS353-ND◆	2.25	2.03	1.58	563002T00000G
10	TO-220, Low Cost Vertical Mount, With Center Tabs, Black	1.00 x .50 x 1.18 (25.40 x 12.70 x 29.97)	13.6	HS348-ND◆	2.37	2.14	1.66	532002T00000G
	TO-220, Vertical Mount With Black Tabs	1.00 x .50 x 1.18 (25.40 x 12.70 x 29.97)	13.0	HS194-ND◆	.36	.29	.22	563002B00000G
	TO-220, Vertical Mount With Black Tabs	1.00 x .50 x .95 (25.40 x 12.70 x 24.13)	16.6	HS207-ND◆	.46	.37	.27	576602B00000G
	TO-220, Vertical Mount With Pre-Tinned Tabs, Black	1.00 x .50 x .95 (25.40 x 12.70 x 24.13)	16.6	HS363-ND◆	3.22	2.90	2.26	576602T00000G
	TO-220, Power Cooler, 9.0W, Screw Mount, Gold	1.50 x 1.375 x 1.00 (38.10 x 34.93 x 25.40)	13.4	HS282-ND◆	.96	.87	.67	531002C00000
	TO-220, Power Cooler, With Pins, Heavy Duty, Black	1.38 x .50 x 1.00 (35.05 x 12.70 x 25.40)	13.4	HS351-ND◆	.94	.85	.66	531002B02500G
11	TO-220, Power Cooler, 9.0W, Black	1.38 x .50 x 1.50 (35.05 x 12.70 x 38.10)	10.4	HS284-ND◆	.92	.83	.65	531102B00000G
	TO-220, Power Cooler, With Pins, Heavy Duty, Black	1.38 x .50 x 1.50 (35.05 x 12.70 x 38.10)	10.4	HS352-ND◆	.99	.90	.70	531102B02500G
	TO-220, Power Cooler, With Pins, 2-Sided Mount, Black	1.38 x .50 x 1.50 (35.05 x 12.70 x 38.10)	11.0	HS346-ND◆	.83	.76	.59	513102B02500G
	TO-220, Power Cooler, With Pins, 2-Sided Mount, Gold	1.65 x 1.00 x 1.50 (41.91 x 25.40 x 38.10)	3.7	HS350-ND◆	1.20	1.08	.84	529802B02500G
	TO-220, Power Cooler, Black	1.38 x .50 x 1.00 (35.05 x 12.70 x 25.40)	13.4	HS231-ND◆	.86	.78	.61	531002B00000G
	TO-220, Power Cooler, Screw Mount, Gold	1.38 x .50 x 1.50 (35.05 x 12.70 x 38.10)	10.4	HS131-ND	1.10	1.00	.78	531102C00000
12	TO-220, Power Cooler, With Pins	1.38 x .50 x 1.50 (35.05 x 12.70 x 38.10)	10.4	HS399-ND◆	1.31	1.19	.92	531102V02500G
	TO-220, Power Cooler, Screw Mount, Gold	1.38 x .50 x 2.00 (35.05 x 12.70 x 50.80)	8.3	HS132-ND	1.13	1.02	.80	531202C00000
	TO-220, Power Cooler, With Pins, Gold	1.38 x .50 x 2.00 (35.05 x 12.70 x 50.80)	8.3	HS132-P-ND	1.41	1.27	.99	531202C02500
	TO-220, Power Cooler, 9.0W, Black	1.38 x .50 x 2.00 (35.05 x 12.70 x 50.80)	8.3	HS287-ND◆	1.04	.94	.73	531202B00000G
	TO-220, Power Cooler, With Pins, Black	1.38 x .50 x 2.00 (35.05 x 12.70 x 50.80)	8.3	HS382-ND◆	1.08	.98	.76	531202B02500G
	TO-220, Vertical Power, 10W, Screw Mount, Black	1.65 x 1.00 x 1.50 (41.91 x 25.40 x 38.10)	2.5	HS276-ND◆	1.08	.98	.76	529802B00000
13	TO-220, Power Cooler, With Pins, Black	1.65 x 1.00 x 2.00 (41.91 x 25.40 x 50.80)	3.4	HS374-ND◆	1.46	1.32	1.03	529902B02500G
	TO-220, Power Cooler, With Pins, 9.0W, Black	1.38 x .50 x 2.50 (35.05 x 12.70 x 63.50)	8.0	HS386-ND◆	1.12	1.01	.79	531302B02500G
	TO-220, Power Cooler, Screw Mount, Gold	1.38 x .50 x 2.50 (35.05 x 12.70 x 63.50)	8.0	HS133-ND	1.35	1.22	.95	531302C00000
	TO-220, Power Cooler, With Pins, Gold	1.38 x .50 x 2.50 (35.05 x 12.70 x 63.50)	8.0	HS133-P-ND	1.26	1.14	.89	531302C02500
	TO-220, Power Cooler, With Pins, Black	1.65 x 1.00 x 2.50 (41.91 x 25.40 x 63.50)	3.8	HS380-ND◆	1.36	1.23	.96	530002B02500G
	TO-218, Power Cooler, With Pins, 10W, Black	1.38 x .50 x 2.00 (35.05 x 12.70 x 50.80)	8.3	HS347-ND◆	.98	.88	.69	513201B02500G

\* Dielectric Coating Unless otherwise noted, all heat sinks are black anodized aluminum. ◆ RoHS Compliant

(Continued)

**Free shipping on orders over £50! All prices are in British pound sterling and include duties.**

uk.digikey.com — FREEPHONE: 0-800-587-0991 • 0-800-904-7786 — FREEFAX: 0-800-587-0992 • 0-800-904-7783

(UK091) 1109