

**B**

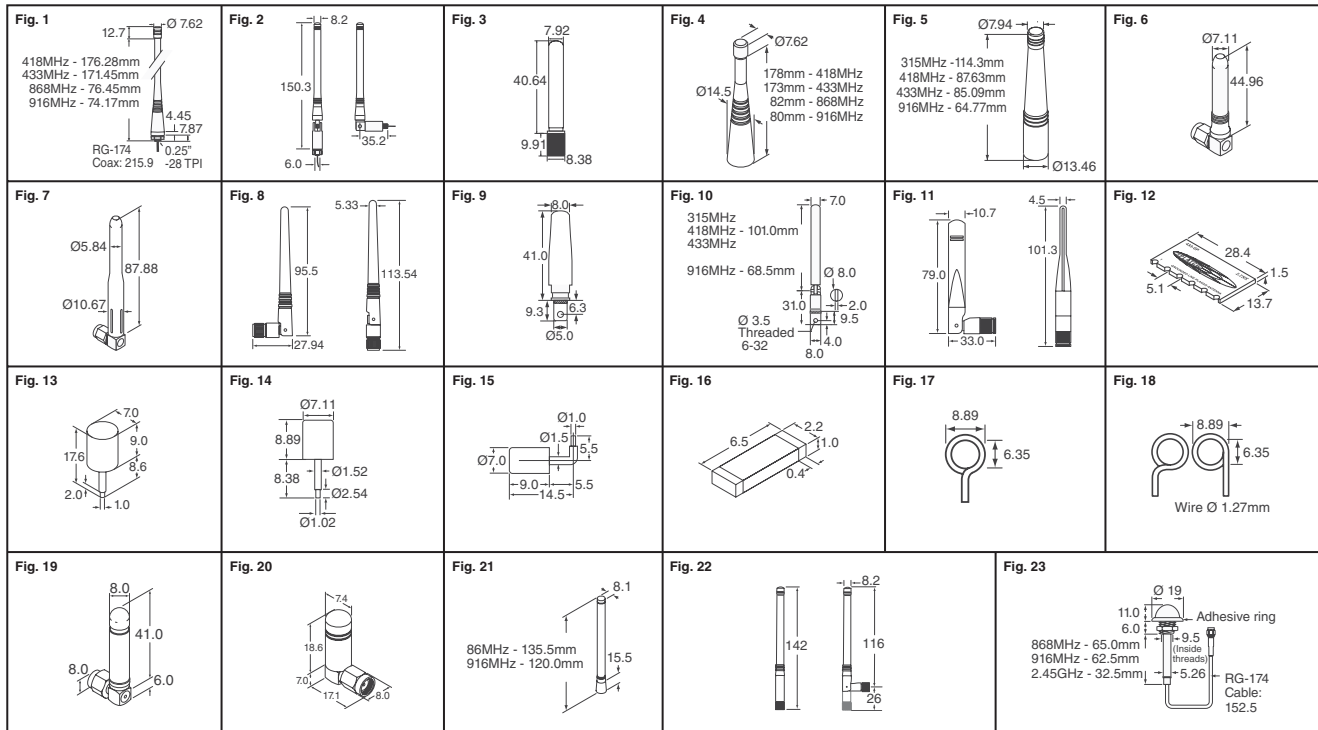


Fig.	Description	Frequency (MHz)	Digi- Key Part No.	1	25	100	Antenna Factor Part No.
1	Permanent Mount 1/4 Wave Whip	418	ANT-418-PW-QW-ND◆	4.96	4.54	3.69	ANT-418-PW-QW
		433	ANT-433-PW-QW-ND◆	4.86	4.45	3.61	ANT-433-PW-QW
		868	ANT-868-PW-QW-ND◆	4.76	4.36	3.52	ANT-868-PW-QW
		916	ANT-916-PW-QW-ND◆	4.68	4.28	3.48	ANT-916-PW-QW
					5.52	5.06	4.00
2	1/2 Wave Whip with RG-178 Cable	868	ANT-868-PML-ND◆	5.52	5.06	4.11	ANT-916-PML
		916	ANT-916-PML-ND◆	5.52	5.06	4.11	ANT-916-PML
3	Reduced Height 1/4 Wave Whip	315	ANT-315-CW-RH-ND◆	4.59	4.20	3.17	ANT-315-CW-RH
		418	ANT-418-CW-RH-ND◆	4.59	4.20	3.17	ANT-418-CW-RH
		433	ANT-433-CW-RH-ND◆	4.59	4.20	3.17	ANT-433-CW-RH
		916	ANT-916-CW-RH-ND◆	4.59	4.20	3.17	ANT-916-CW-RH
		2.45GHz	ANT-2.4-CW-RH-ND◆	3.44	3.15	2.64	ANT-2.4-CW-RH-RPS
		2.45GHz	ANT-2.4-CW-RH-SMA-ND◆	3.44	3.15	2.64	ANT-2.4-CW-RH-SMA
4	RP-SMA 1/4 Wave Whip	418	ANT-418-CW-QW-ND◆	5.72	5.23	4.17	ANT-418-CW-QW
		433	ANT-433-CW-QW-ND◆	5.59	5.12	4.08	ANT-433-CW-QW
		868	ANT-868-CW-QW-ND◆	5.47	5.00	3.98	ANT-868-CW-QW
		916	ANT-916-CW-QW-ND◆	5.34	4.88	3.90	ANT-916-CW-QW
5	RP-SMA Reduced Height 1/4 Wave Whip	315	ANT-315-CW-HD-ND◆	5.52	5.06	4.00	ANT-315-CW-HD
		418	ANT-418-CW-HD-ND◆	5.52	5.06	4.00	ANT-418-CW-HD
		433	ANT-433-CW-HD-ND◆	5.52	5.06	4.00	ANT-433-CW-HD
		916	ANT-916-CW-HD-ND◆	5.52	5.06	4.00	ANT-916-CW-HD
6	1/4 Wave Whip Right Angle	315	ANT-315-CW-RCS-ND◆	4.69	4.29	3.62	ANT-315-CW-RCS
7	RP-SMA Right Angle	916	ANT-916-CW-RCS-ND◆	4.69	4.29	3.82	ANT-916-CW-RCS
		2.4GHz	ANT-2.4-CW-RCS-ND◆	4.69	4.29	3.82	ANT-2.4-CW-RCS
8	1/2 Wave Whip RP-SMA	916	ANT-916-CW-RCL-ND◆	5.11	4.67	4.00	ANT-916-CW-RCL
		2.4GHz	ANT-2.4-CW-RCL-ND◆	5.11	4.67	4.00	ANT-2.4-CW-RCL
9	Permanent Mount Reduced Height 1/4 Wave Whip	315	ANT-315-PW-LP-ND◆	1.47	1.35	1.30	ANT-315-PW-LP
		418	ANT-418-PW-LP-ND◆	1.47	1.35	1.30	ANT-418-PW-LP
10	Permanent Mount Swivel Angle 1/4 Wave Whip	433	ANT-433-PW-LP-ND◆	1.47	1.35	1.30	ANT-433-PW-LP
		916	ANT-916-PW-LP-ND◆	1.47	1.35	1.30	ANT-916-PW-LP
		315	ANT-315-PW-RA-ND◆	2.50	2.26	2.10	ANT-315-PW-RA
		418	ANT-418-PW-RA-ND◆	2.50	2.26	2.10	ANT-418-PW-RA
11	1/2 Wave Swivel RP-SMA	433	ANT-433-PW-RA-ND◆	2.50	2.26	2.10	ANT-433-PW-RA
		916	ANT-916-PW-RA-ND◆	2.50	2.26	2.10	ANT-916-PW-RA
		2.45/5.8GHz	ANT-DB1-RAF-RPS-ND◆	7.46	6.54	5.71	ANT-DB1-RAF-RPS
12	Planar Antenna (SMT)	315	ANT-315-SP_-ND◆	1.51	1.33	1.28	ANT-315-SP_-
		418	ANT-418-SP_-ND◆	1.51	1.33	1.28	ANT-418-SP_-
		433	ANT-433-SP_-ND◆	1.51	1.33	1.28	ANT-433-SP_-
		868	ANT-868-SP_-ND◆	1.51	1.33	1.28	ANT-868-SP_-
		916	ANT-916-SP_-ND◆	1.51	1.33	1.28	ANT-916-SP_-
13	1/4 Wave, JJB Permanent Ultra-Miniature, Straight	868	ANT-868-JJB-ST-ND	1.25	1.14	.98	ANT-868-JJB-ST
14	JJB Permanent Ultra-Miniature, Straight	916	ANT-916-JJB-ST-ND◆	1.42	1.25	1.09	ANT-916-JJB-ST
		2.45GHz	ANT-2.4-JJB-ST-ND◆	1.25	1.14	1.09	ANT-2.4-JJB-ST
15	JJB Permanent Ultra-Miniature, Right Angle	868	ANT-868-JJB-RA-ND◆	1.25	1.14	.98	ANT-868-JJB-RA
		916	ANT-916-JJB-RA-ND◆	1.42	1.25	1.09	ANT-916-JJB-RA
		2.45GHz	ANT-2.4-JJB-RA-ND◆	1.25	1.14	1.09	ANT-2.4-JJB-RA
—	Ultra-Compact Chip Antenna	868	ANT-868-CHPCT-ND◆◆	3.61	3.30	2.83	ANT-868-CHP-T
		868	ANT-868-CHPTR-ND◆◆		8226.31/3,000		ANT-868-CHP-T
		916	ANT-916-CHPCT-ND◆◆	3.61	3.30	2.83	ANT-916-CHP
		916	ANT-916-CHPTR-ND◆◆		8226.31/3,000		ANT-916-CHP

◆ RoHS Compliant \* Cut Tape † Tape and Reel

(Continued)

Digi-Reel® Most SMT cutdown parts are available on a Digi-Reel®. For Digi-Reel part number, change 1-ND to 6-ND or CT-ND to DKR-ND. See Digi-Key® Services on page 2 for additional information.

**Free shipping on orders over £50! All prices are in British pound sterling and include duties.**  
526 (UK091) uk.digikey.com — FREEPHONE: 0-800-587-0991 • 0-800-904-7786 — FREEFAX: 0-800-587-0992 • 0-800-904-7783