

B

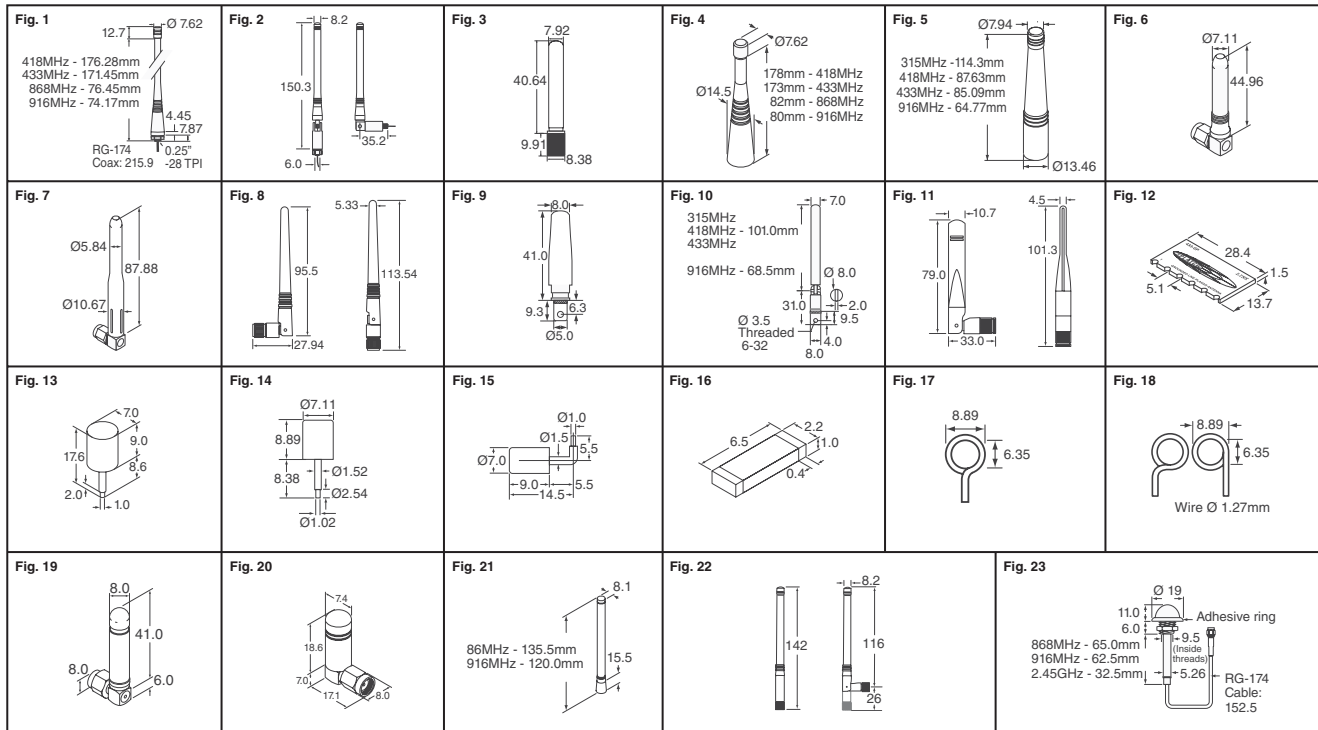


Fig.	Description	Frequency (MHz)	Digi- Key Part No.	1	25	100	Antenna Factor Part No.
1	Permanent Mount 1/4 Wave Whip	418	ANT-418-PW-QW-ND◆	4.96	4.54	3.69	ANT-418-PW-QW
		433	ANT-433-PW-QW-ND◆	4.86	4.45	3.61	ANT-433-PW-QW
		868	ANT-868-PW-QW-ND◆	4.76	4.36	3.52	ANT-868-PW-QW
		916	ANT-916-PW-QW-ND◆	4.68	4.28	3.48	ANT-916-PW-QW
					5.52	5.06	4.00
2	1/2 Wave Whip with RG-178 Cable	868	ANT-868-PML-ND◆	5.06	4.00	4.11	ANT-868-PML
		916	ANT-916-PML-ND◆	5.52	5.06	4.11	ANT-916-PML
3	Reduced Height 1/4 Wave Whip	315	ANT-315-CW-RH-ND◆	4.59	4.20	3.17	ANT-315-CW-RH
		418	ANT-418-CW-RH-ND◆	4.59	4.20	3.17	ANT-418-CW-RH
		433	ANT-433-CW-RH-ND◆	4.59	4.20	3.17	ANT-433-CW-RH
		916	ANT-916-CW-RH-ND◆	4.59	4.20	3.17	ANT-916-CW-RH
		2.45GHz	ANT-2.4-CW-RH-ND◆	3.44	3.15	2.64	ANT-2.4-CW-RH-RPS
		2.45GHz	ANT-2.4-CW-RH-SMA-ND◆	3.44	3.15	2.64	ANT-2.4-CW-RH-SMA
4	RP-SMA 1/4 Wave Whip	418	ANT-418-CW-QW-ND◆	5.72	5.23	4.17	ANT-418-CW-QW
		433	ANT-433-CW-QW-ND◆	5.59	5.12	4.08	ANT-433-CW-QW
		868	ANT-868-CW-QW-ND◆	5.47	5.00	3.98	ANT-868-CW-QW
		916	ANT-916-CW-QW-ND◆	5.34	4.88	3.90	ANT-916-CW-QW
5	RP-SMA Reduced Height 1/4 Wave Whip	315	ANT-315-CW-HD-ND◆	5.52	5.06	4.00	ANT-315-CW-HD
		418	ANT-418-CW-HD-ND◆	5.52	5.06	4.00	ANT-418-CW-HD
		433	ANT-433-CW-HD-ND◆	5.52	5.06	4.00	ANT-433-CW-HD
		916	ANT-916-CW-HD-ND◆	5.52	5.06	4.00	ANT-916-CW-HD
6	1/4 Wave Whip Right Angle	315	ANT-315-CW-RCS-ND◆	4.69	4.29	3.62	ANT-315-CW-RCS
7	RP-SMA Right Angle	916	ANT-916-CW-RCS-ND◆	4.69	4.29	3.82	ANT-916-CW-RCS
		2.4GHz	ANT-2.4-CW-RCS-ND◆	4.69	4.29	3.82	ANT-2.4-CW-RCS
8	1/2 Wave Whip RP-SMA	916	ANT-916-CW-RCL-ND◆	5.11	4.67	4.00	ANT-916-CW-RCL
		2.4GHz	ANT-2.4-CW-RCL-ND◆	5.11	4.67	4.00	ANT-2.4-CW-RCL
9	Permanent Mount Reduced Height 1/4 Wave Whip	315	ANT-315-PW-LP-ND◆	1.47	1.35	1.30	ANT-315-PW-LP
		418	ANT-418-PW-LP-ND◆	1.47	1.35	1.30	ANT-418-PW-LP
10	Permanent Mount Swivel Angle 1/4 Wave Whip	433	ANT-433-PW-LP-ND◆	1.47	1.35	1.30	ANT-433-PW-LP
		916	ANT-916-PW-LP-ND◆	1.47	1.35	1.30	ANT-916-PW-LP
		315	ANT-315-PW-RA-ND◆	2.50	2.26	2.10	ANT-315-PW-RA
		418	ANT-418-PW-RA-ND◆	2.50	2.26	2.10	ANT-418-PW-RA
		433	ANT-433-PW-RA-ND◆	2.50	2.26	2.10	ANT-433-PW-RA
11	1/2 Wave Swivel RP-SMA	916	ANT-916-PW-RA-ND◆	2.50	2.26	2.10	ANT-916-PW-RA
		2.45/5.8GHz	ANT-DB1-RAF-RPS-ND◆	7.46	6.54	5.71	ANT-DB1-RAF-RPS
12	Planar Antenna (SMT)	315	ANT-315-SP_-ND◆	1.51	1.33	1.28	ANT-315-SP_-
		418	ANT-418-SP_-ND◆	1.51	1.33	1.28	ANT-418-SP_-
		433	ANT-433-SP_-ND◆	1.51	1.33	1.28	ANT-433-SP_-
		868	ANT-868-SP_-ND◆	1.51	1.33	1.28	ANT-868-SP_-
		916	ANT-916-SP_-ND◆	1.51	1.33	1.28	ANT-916-SP_-
13	1/4 Wave, JJB Permanent Ultra-Miniature, Straight	868	ANT-868-JJB-ST-ND	1.25	1.14	.98	ANT-868-JJB-ST
14	JJB Permanent Ultra-Miniature, Straight	916	ANT-916-JJB-ST-ND◆	1.42	1.25	1.09	ANT-916-JJB-ST
		2.45GHz	ANT-2.4-JJB-ST-ND◆	1.25	1.14	1.09	ANT-2.4-JJB-ST
15	JJB Permanent Ultra-Miniature, Right Angle	868	ANT-868-JJB-RA-ND◆	1.25	1.14	.98	ANT-868-JJB-RA
		916	ANT-916-JJB-RA-ND◆	1.42	1.25	1.09	ANT-916-JJB-RA
		2.45GHz	ANT-2.4-JJB-RA-ND◆	1.25	1.14	1.09	ANT-2.4-JJB-RA
—	Ultra-Compact Chip Antenna	868	ANT-868-CHPCT-ND◆◆	3.61	3.30	2.83	ANT-868-CHP-T
		868	ANT-868-CHPTR-ND◆◆		8226.31/3,000		ANT-868-CHP-T
		916	ANT-916-CHPCT-ND◆◆	3.61	3.30	2.83	ANT-916-CHP
		916	ANT-916-CHPTR-ND◆◆		8226.31/3,000		ANT-916-CHP

◆ RoHS Compliant * Cut Tape † Tape and Reel

(Continued)

Digi-Reel® Most SMT cutdown parts are available on a Digi-Reel®. For Digi-Reel part number, change 1-ND to 6-ND or CT-ND to DKR-ND. See Digi-Key® Services on page 2 for additional information.

Free shipping on orders over £50! All prices are in British pound sterling and include duties.
526 (UK091) uk.digikey.com — FREEPHONE: 0-800-587-0991 • 0-800-904-7786 — FREEFAX: 0-800-587-0992 • 0-800-904-7783

Fig.	Description	Frequency (MHz)	Digi-Key Part No.	1	25	100	Antenna Factor Part No.
16	Ultra-Compact Chip Antenna	2.45GHz	ANT-2.45-CHPCT-ND* ANT-2.45-CHPTR-ND*	1.10	1.00 1241.46/1,500	.97	ANT-2.45-CHP ANT-2.45-CHP
17	Helical Through-Hole Antenna	315 418 433 916	ANT-315-HETH-ND ANT-418-HETH-ND ANT-433-HETH-ND ANT-916-HETH-ND	.64 .64 .64 .64	.55 .55 .55 .55	.49 .49 .49 .49	ANT-315-HETH ANT-418-HETH ANT-433-HETH ANT-916-HETH
18	Helical SMA Antenna	418	ANT-418-HESM-ND	.64	.55	.49	ANT-418-HESM
19	1/4 Wave Whip Right Angle	315 418 433 2.45GHz	ANT-315-CW-RAH-ND ANT-418-CW-RAH-ND ANT-433-CW-RAH-ND ANT-2.4-CW-RAH-RPS-ND	6.15 6.15 6.15 3.54	5.63 5.63 5.63 3.25	4.51 4.51 4.51 2.72	ANT-315-CW-RAH ANT-315-CW-RAH ANT-433-CW-RAH ANT-2.4-CW-RAH-RPS
20	1/4 Wave Right Angle with SMA	2.45GHz	ANT-2.4-CW-RAH-SMA-ND	3.54	3.25	2.78	ANT-2.4-CW-RAH-SMA
21	1/2 Wave Whip RP-SMA	868 916	ANT-868-CW-HW-ND ANT-916-CW-HW-ND	6.16 6.16	5.64 5.64	4.54 4.54	ANT-868-CW-HW ANT-916-CW-HW
22	1/4 Wave Whip RP-SMA	315	ANT-315-CW-HWR-RPS-ND	7.25	6.63	5.55	ANT-315-CW-HWR-RPS
		418	ANT-418-CW-HWR-RPS-ND	7.25	6.63	5.55	ANT-418-CW-HWR-RPS
		433	ANT-433-CW-HWR-RPS-ND	7.25	6.63	5.55	ANT-433-CW-HWR-RPS
	1/2 Wave Whip RP-SMA	868	ANT-868-CW-HWR-RPS-ND	7.25	6.63	5.55	ANT-868-CW-HWR-RPS
		916	ANT-916-CW-HWR-RPS-ND	7.25	6.63	5.55	ANT-916-CW-HWR-RPS
	1/4 Wave Whip SMA	315	ANT-315-CW-HWR-SMA-ND	7.25	6.63	5.55	ANT-315-CW-HWR-SMA
418 433		ANT-418-CW-HWR-SMA-ND ANT-433-CW-HWR-SMA-ND	7.25 7.25	6.63 6.63	5.55 5.55	ANT-418-CW-HWR-SMA ANT-433-CW-HWR-SMA	
23	Permanent Mount 1/4 Wave SMA	868	ANT-868-WRT-SMA-ND	8.87	8.11	7.61	ANT-868-WRT-SMA
		916	ANT-916-WRT-SMA-ND	8.87	8.11	7.61	ANT-916-WRT-SMA
		2.45GHz	ANT-2.4-WRT-SMA-ND	8.87	8.11	7.61	ANT-2.4-WRT-SMA
	Permanent Mount 1/4 Wave RP-SMA	868	ANT-868-WRT-RPS-ND	8.87	8.11	7.61	ANT-868-WRT-RPS
		916	ANT-916-WRT-RPS-ND	8.87	8.11	7.61	ANT-916-WRT-RPS
		2.45GHz	ANT-2.4-WRT-RPS-ND	8.87	8.11	7.61	ANT-2.4-WRT-RPS
Evaluation Kit for CHP Antenna			AEK-2.45-CHP-ND	13.76	—	—	AEK-2.45-CHP

◆ RoHS Compliant • Cut Tape † Tape and Reel

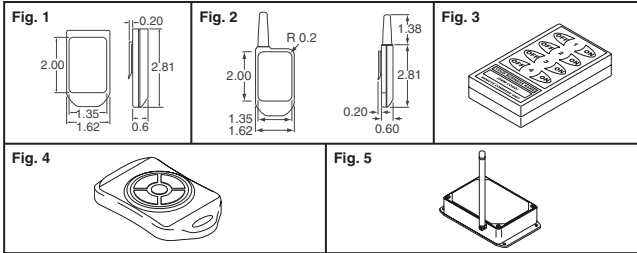
B

OEM Modules

FCC Pre-Certified OEM Products



Dimensions in mm



All units below are pre-approved with the FCC to allow immediate integration and sale in most OEM product.

Compact Handheld Transmitter: Compact 8-buttons handheld remote is capable of up to 150 feet transmission range. The keypad and labeling can be modified to meet specific customer requirements. Can create up to 1,024 distinct transmitter-receiver relationships.

Long-Range Handheld Transmitter: Compact 8-buttons handheld remote is capable of up to 300+ feet transmission range. The keypad and labeling can be modified to meet specific customer requirements. Can create up to 1,024 distinct transmitter-receiver relationships. External antenna attached.

Handheld Transmitter: Compact 8-button handheld remote is capable of 100+ feet transmission ranges. The transmission can be decoded using a standard decoder IC, microcontroller or matching Linx function module. Selectable addressing provides security and allows distinct TX/RX relationships.

Keypad Transmitter: This tiny keypad features outstanding range performance and is configured with 1 to 5 buttons for a variety of OEM applications.

1 to 4 Position Relay Function Module: Provides 4 latched relay outputs which are capable of switching external AC or DC powered loads up to 5 amps. Selectable addressing.

Fig.	Description	Freq. (MHz)	Digi-Key Part No.	1	25	100	Linx Part No.
1	Compact Handheld Transmitter	418	CMD-HHCP-418-ND	21.34	19.52	17.08	CMD-HHCP-418
		433	CMD-HHCP-433-ND	21.34	19.52	17.08	CMD-HHCP-433
		315	CMD-HHCP-315-MD-ND	22.11	20.22	17.06	CMD-HHCP-315-MD
		418	CMD-HHCP-418-MD-ND	22.11	20.22	17.06	CMD-HHCP-418-MD
		433	CMD-HHCP-433-MD-ND	22.11	20.22	17.06	CMD-HHCP-433-MD
		418	OTX-315-HH-CP8-MS-ND	31.33	28.65	26.86	OTX-315-HH-CP8-MS
2	Long-Range Handheld Transmitter	418	CMD-HHLR-418-ND	23.53	21.52	19.23	CMD-HHLR-418
		433	CMD-HHLR-433-ND	23.53	21.52	19.23	CMD-HHLR-433
		315	CMD-HHLR-315-MD-ND	24.29	22.21	18.74	CMD-HHLR-315-MD
		418	CMD-HHLR-418-MD-ND	24.29	22.21	18.74	CMD-HHLR-418-MD
		433	CMD-HHLR-433-MD-ND	24.29	22.21	18.74	CMD-HHLR-433-MD
		315	OTX-315-HH-LR8-MS-ND	32.91	30.09	28.21	OTX-315-HH-LR8-MS
3	Handheld Transmitter	418	CMD-HHTX-418-ND	23.25	21.26	18.21	CMD-HHTX-418
		433	CMD-HHTX-433-ND	23.25	21.26	18.21	CMD-HHTX-433
		315	CMD-KEY5-315-ND	14.23	13.52	12.40	CMD-KEY5-315
		418	CMD-KEY5-418-ND	14.23	13.52	12.40	CMD-KEY5-418
		433	CMD-KEY5-433-ND	14.23	13.52	12.40	CMD-KEY5-433
		315	OTX-315-HH-KF5-MS-ND	15.54	14.76	14.57	OTX-315-HH-KF5-MS
4	1 to 5 Button FCC Pre-certified Keypad Transmitter	418	OTX-418-HH-KF5-MS-ND	15.54	14.76	14.57	OTX-418-HH-KF5-MS
		433	OTX-433-HH-KF5-MS-ND	15.54	14.76	14.57	OTX-433-HH-KF5-MS
		315	FCTN-RLY4X-315-ND	43.45	39.73	36.27	FCTN-RLY4-315
5	1 to 4 Position Relay Function Module	418	FCTN-RLY4-418-ND	43.45	39.73	36.27	FCTN-RLY4-418
		433	FCTN-RLY4X-433-ND	43.45	39.73	36.27	FCTN-RLY4-433
		315	FCTN-RLY4X-315-ND	43.45	39.73	36.27	FCTN-RLY4-315

◆ RoHS Compliant

Evaluation Kits and Accessories

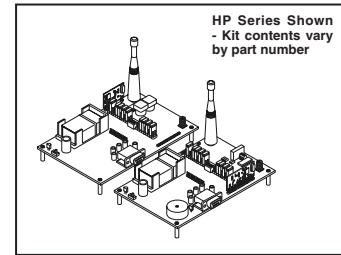
These kits provide the most complete opportunity to evaluate the Linx module series of your choice and then begin the integration of it into your own design.

Basic Evaluation Kit:

This kit is a quick way to evaluate the field performance of Linx products. The kit does not allow for the level of testing and interface possible with Master Kits but provides a cost-effective starting point.

Master Evaluation/Development System Kit:

The kits not only allow evaluation of the module series you have chosen, but also speed the development of your own design via on-board prototyping area and breakout headers.



HP Series Shown - Kit contents vary by part number

Description	MHz	Digi-Key Part No.	Price Each	Linx Part No.
Basic Evaluation Kits				
SC Series	916	EEVAL-916-SC-P-ND	144.47	EEVAL-916-SC
KH Series	315	EEVAL-315-KH-ND	108.17	EEVAL-315-KH
	433	EEVAL-433-KH-ND	108.17	EEVAL-433-KH
KH2 Series	315	EEVAL-315-KH2-ND	108.17	EEVAL-315-KH2
	418	EEVAL-418-KH2-ND	108.17	EEVAL-418-KH2
	433	EEVAL-433-KH2-ND	108.17	EEVAL-433-KH2
ES Series	916	EEVAL-916-ES-ND	129.95	EEVAL-916-ES
Keypad Series	418	EEVAL-418-KEY5-ND	86.39	EEVAL-418-KEY5
HHCP Series	418	EEVAL-418-HHCP-ND	93.65	EEVAL-418-HHCP
HHLR Series	418	EEVAL-418-HHLR-ND	93.65	EEVAL-418-HHLR
LR Series	315	EEVAL-315-LR-ND	100.91	EEVAL-315-LR
	418	EEVAL-418-LR-ND	100.91	EEVAL-418-LR
	433	EEVAL-433-LR-ND	100.91	EEVAL-433-LR-S
LT Series	315	EEVAL-315-LT-ND	108.17	EEVAL-315-LT
	418	EEVAL-418-LT-ND	108.17	EEVAL-418-LT
LC Series	315	EEVAL-315-LC-ND	100.91	EEVAL-315-LC
	418	EEVAL-418-LC-ND	100.91	EEVAL-418-LC
433	EEVAL-433-LC-ND	100.91	EEVAL-433-LC	
Master Evaluation / Development System Kits				
HP-3 Series	900	MDEV900HP3PPSR23-ND	217.07	MDEV-900-HP3-PPS-RS232
ES Series	916	MDEV-916-ES-ND	217.07	MDEV-916-ES
SC-P Series	916	MDEV-916-SC-P-ND	217.07	MDEV-916-SC-P
SC-S Series	916	MDEV-916-SC-S-ND	217.07	MDEV-916-SC-S
QS Series	—	MDEV-USB-QS-ND	93.65	MDEV-USB-QS
MS Series	315	MDEV-315-HH-KF5-MS-ND	108.86	MDEV-315-HH-KF5-MS
	418	MDEV-418-HH-KF5-MS-ND	108.86	MDEV-418-HH-KF5-MS
	433	MDEV-433-HH-KF5-MS-ND	108.86	MDEV-433-HH-KF5-MS
MS Series	315	MDEV-315-HH-CP8-MS-ND	108.86	MDEV-315-HH-CP8-MS
	418	MDEV-418-HH-CP8-MS-ND	108.86	MDEV-418-HH-CP8-MS
	433	MDEV-433-HH-CP8-MS-ND	108.86	MDEV-433-HH-CP8-MS
MS Series	315	MDEV-315-HH-LR8-MS-ND	108.86	MDEV-315-HH-LR8-MS
	418	MDEV-418-HH-LR8-MS-ND	108.86	MDEV-418-HH-LR8-MS
	433	MDEV-433-HH-LR8-MS-ND	108.86	MDEV-433-HH-LR8-MS
418	MDEV-418-LICAL-MS-ND	180.77	MDEV-LICAL-MS	
Accessories — RoHS Compliant				
CR2032 Coin Battery Holder	—	BAT-HLD-001-ND	.38	BATHLD-001

◆ RoHS Compliant

Digi-Reel® Most SMT cutdown parts are available on a Digi-Reel®. For Digi-Reel part number, change 1-ND to 6-ND or CT-ND to DKR-ND. See Digi-Key® Services on page 2 for additional information.

Free shipping on orders over £50! All prices are in British pound sterling and include duties.

uk.digikey.com — FREEPHONE: 0-800-587-0991 • 0-800-904-7786 — FREEFAX: 0-800-587-0992 • 0-800-904-7783

(UK091) 527