



RF Connectors for OEM Antennas (Cont.)



B

Table with columns: Fig., Description, Dim. A (mm), Digi-Key Part No., Price Each (1, 25, 100, 200), Linx Part No. Rows include various SMA, RP-SMA, MCX, and MMCX connectors and crimp kits.

Free shipping on orders over £50! All prices are in British pound sterling and include duties.

524 (UK091)

uk.digikey.com — FREEPHONE: 0-800-587-0991 • 0-800-904-7786 — FREEFAX: 0-800-587-0992 • 0-800-904-7783

Magnetic Mount Antennas

Mag-1 Magnetic Bases:

Available in three base diameters, each MAG-1 Series base features a powerful magnet for reliable mounting on metal surfaces. They also feature a soft, rubber protective cover to help protect painted surfaces, such as those on automobiles. The base accepts a diverse range of antenna element styles and frequencies.

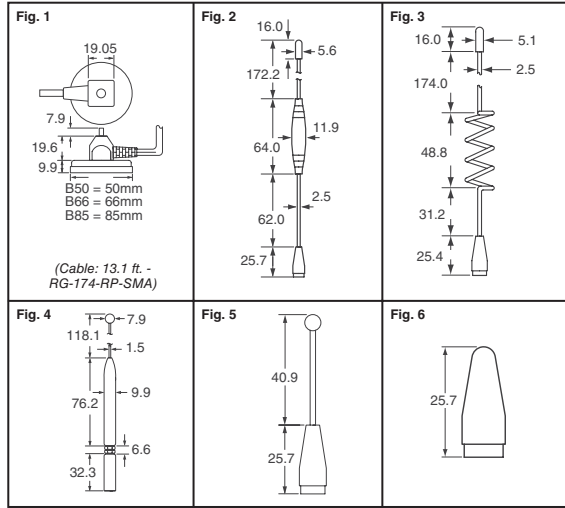
Mag-1 Antenna Elements:

These cosmetically attractive elements are designed to fit MAG-1 Series bases. Ideal for mobile and cellular systems, they are available in a range of styles and center frequencies and are intended to offer outstanding performance and durability even in harsh environments.



Dimensions in mm

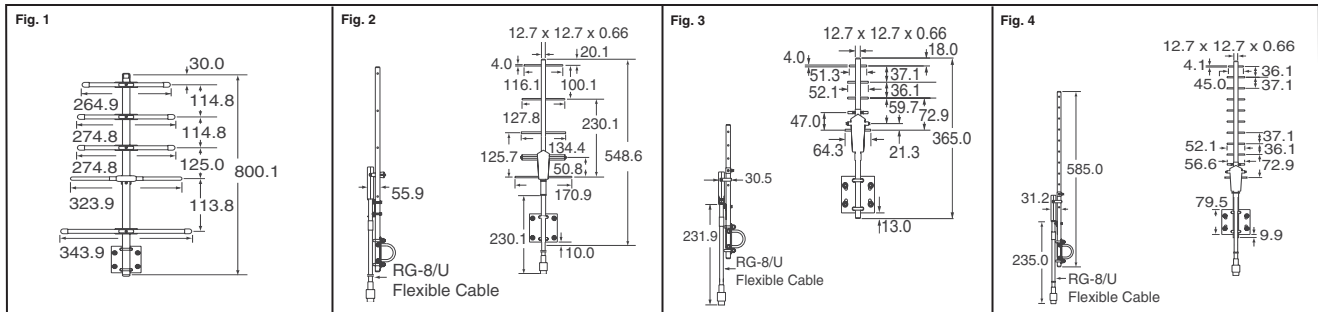
Fig.	Description	Frequency (MHz)	Digi-Key Part No.	Price Each			Antenna Factor Part No.
				1	25	100	
1	50mm MAG-1 Magnetic Base	—	ANT-MAG-B50-RPS-ND	4.20	3.84	3.20	ANT-MAG-B50-RPS
	66mm MAG-1 Magnetic Base	—	ANT-MAG-B66-RPS-ND	4.71	4.31	3.60	ANT-MAG-B66-RPS
	85mm MAG-1 Magnetic Base	—	ANT-MAG-B85-RPS-ND	5.25	4.80	4.00	ANT-MAG-B85-RPS
2	Dual-Band Whip-Element	916, 1.7 - 1.8GHz	ANT-ELE-S01-008-ND	2.48	2.27	2.11	ANT-ELE-S01-008
3	Whip-Element	916	ANT-ELE-S01-005-ND	2.12	1.86	1.64	ANT-ELE-S01-005
4	High Gain Whip-Element	916	ANT-ELE-S01-006-ND	2.56	2.24	1.97	ANT-ELE-S01-006
5	Short Whip-Element	916	ANT-ELE-S01-010-ND	2.08	1.82	1.62	ANT-ELE-S01-010
6	Stub Element	2.4GHz	ANT-ELE-S01-011-ND	2.05	1.80	1.60	ANT-ELE-S01-011



Yagi Antennas



Dimensions in mm



Antenna Factor offers Yagi antennas in models covering frequencies from 400 to 2.4GHz. The antennas are designed for long-distance directional communication and can greatly enhance the performance of RF links, such as WLAN and WIFI.

Made of stainless steel and featuring sturdy mast mounts, these rugged antennas are constructed to withstand the stress of long-term use. All antennas are designed for 50Ω system matches with maximum inputs of 100W.

Fig.	Description	Freq. (MHz)	Digi-Key Part No.	Price Each			Antenna Factor Part No.
				1	25	100	
1	418MHz 5-Element Yagi	418	ANT-418-YG5-N-ND	61.24	55.99	50.79	ANT-418-YG5-N
2	916MHz 5-Element Yagi	916	ANT-916-YG5-N-ND	61.24	55.99	50.79	ANT-916-YG5-N
3	2.4GHz 6-Element Yagi	2442	ANT-2.4-YG6-N-ND	61.24	55.99	50.79	ANT-2.4-YG6-N
4	2.4GHz 12-Element Yagi	2442	ANT-2.4-YG12-N-ND	87.29	79.81	65.31	ANT-2.4-YG12-N

Surface Mount Antennas



Dimensions in mm

MHW Series:

This antenna style provides a clever solution to the unique needs of difficult environments such as a vehicle. Designed to mount directly onto nonconductive interior surfaces such as wallboard, windows or a rear view mirror, these compact antennas are easily concealed, minimizing potential theft.

HDP Series:

A compact, center-fed antenna that achieves efficient operation at either or both of two frequency bands. Its durable, unobtrusive housing attaches permanently with integral adhesive to flat, nonconductive surfaces.

VDP Series:

Similar to the HDP Series but the cable enters from the bottom to facilitate vertical orientation. Also, this compact, center-fed antenna achieves efficient operation at any or all of three frequency bands. Attaches permanently with integral adhesive to flat nonconductive surfaces.

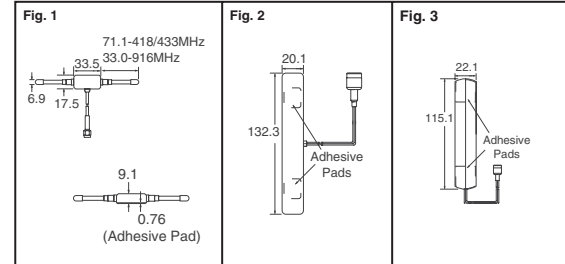


Fig.	Description	Frequency (MHz)	Digi-Key Part No.	Price Each			Antenna Factor Part No.
				1	25	100	
1	Compact Center-Fed Dipole	418	ANT-418-MHW-RPS-S-ND	7.22	6.32	5.77	ANT-418-MHW-RPS-S
		433	ANT-433-MHW-RPS-S-ND	7.22	6.32	5.77	ANT-433-MHW-RPS-S
		916	ANT-916-MHW-RPS-S-ND	7.22	6.32	5.77	ANT-916-MHW-RPS-S
2	Dual-Band Surface Mount	860 - 960, 1770 - 1880	ANT-DB1-HDP-RPS-ND	5.86	5.36	4.91	ANT-DB1-HDP-RPS
3	Tri-Band Surface Mount	860 - 960, 1770 - 1880, 2400	ANT-DB1-VDP-RPS-ND	7.03	6.15	5.41	ANT-DB1-VDP-RPS

Free shipping on orders over £50! All prices are in British pound sterling and include duties.

uk.digikey.com — FREEPHONE: 0-800-587-0991 • 0-800-904-7786 — FREEFAX: 0-800-587-0992 • 0-800-904-7783

(UK091) 525

B

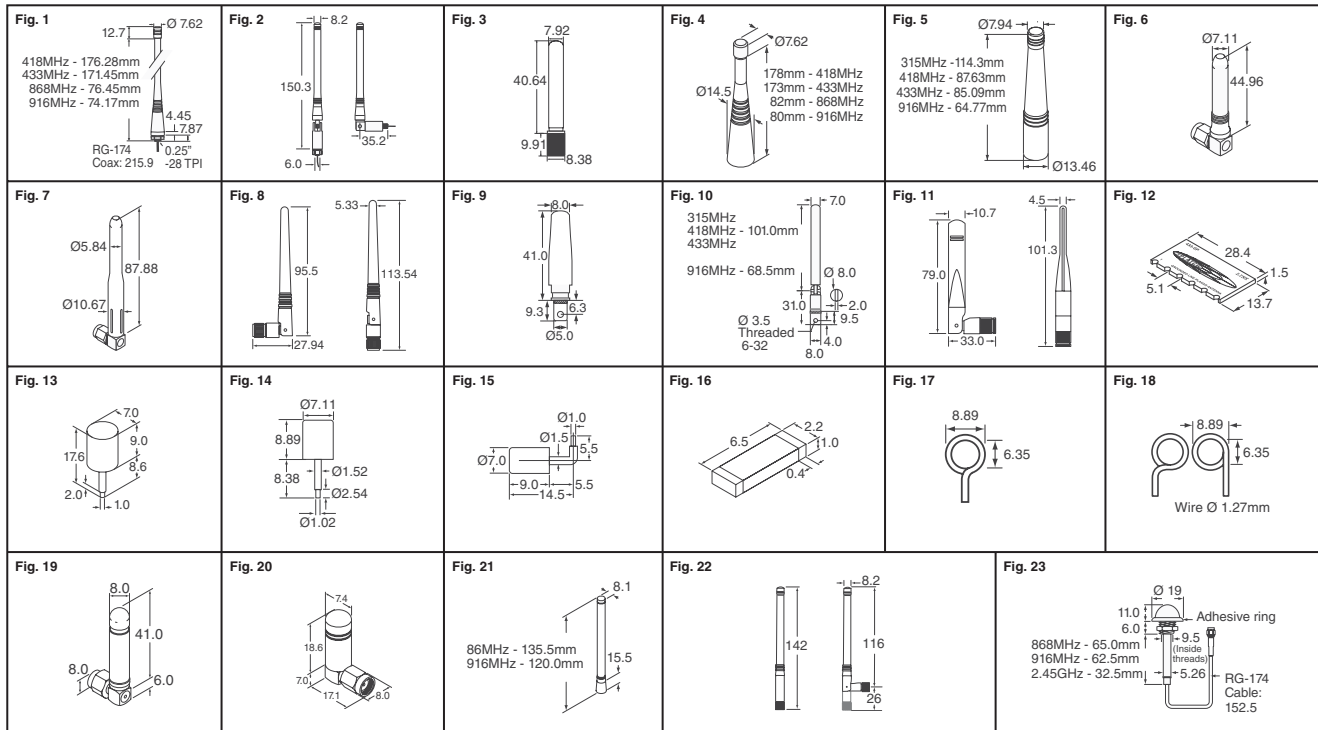


Fig.	Description	Frequency (MHz)	Digi- Key Part No.	1	25	100	Antenna Factor Part No.
1	Permanent Mount 1/4 Wave Whip	418	ANT-418-PW-QW-ND◆	4.96	4.54	3.69	ANT-418-PW-QW
		433	ANT-433-PW-QW-ND◆	4.86	4.45	3.61	ANT-433-PW-QW
		868	ANT-868-PW-QW-ND◆	4.76	4.36	3.52	ANT-868-PW-QW
		916	ANT-916-PW-QW-ND◆	4.68	4.28	3.48	ANT-916-PW-QW
		868	ANT-868-PML-ND◆	5.52	5.06	4.00	ANT-868-PML
2	1/2 Wave Whip with RG-178 Cable	916	ANT-916-PML-ND◆	5.52	5.06	4.11	ANT-916-PML
		315	ANT-315-CW-RH-ND◆	4.59	4.20	3.17	ANT-315-CW-RH
3	Reduced Height 1/4 Wave Whip	418	ANT-418-CW-RH-ND◆	4.59	4.20	3.17	ANT-418-CW-RH
		433	ANT-433-CW-RH-ND◆	4.59	4.20	3.17	ANT-433-CW-RH
		868	ANT-868-CW-RH-ND◆	4.59	4.20	3.17	ANT-868-CW-RH
		916	ANT-916-CW-RH-ND◆	4.59	4.20	3.17	ANT-916-CW-RH
		2.45GHz	ANT-2.4-CW-RH-ND◆	3.44	3.15	2.64	ANT-2.4-CW-RH-RPS
4	RP-SMA 1/4 Wave Whip	418	ANT-418-CW-QW-ND◆	5.72	5.23	4.17	ANT-418-CW-QW
		433	ANT-433-CW-QW-ND◆	5.59	5.12	4.08	ANT-433-CW-QW
		868	ANT-868-CW-QW-ND◆	5.47	5.00	3.98	ANT-868-CW-QW
		916	ANT-916-CW-QW-ND◆	5.34	4.88	3.90	ANT-916-CW-QW
		315	ANT-315-CW-HD-ND◆	5.52	5.06	4.00	ANT-315-CW-HD
5	RP-SMA Reduced Height 1/4 Wave Whip	418	ANT-418-CW-HD-ND◆	5.52	5.06	4.00	ANT-418-CW-HD
		433	ANT-433-CW-HD-ND◆	5.52	5.06	4.00	ANT-433-CW-HD
		916	ANT-916-CW-HD-ND◆	5.52	5.06	4.00	ANT-916-CW-HD
6	1/4 Wave Whip Right Angle	315	ANT-315-CW-RCS-ND◆	4.69	4.29	3.62	ANT-315-CW-RCS
		916	ANT-916-CW-RCS-ND◆	4.69	4.29	3.82	ANT-916-CW-RCS
7	1/2 Wave Whip RP-SMA	2.4GHz	ANT-2.4-CW-RCS-ND◆	4.69	4.29	3.82	ANT-2.4-CW-RCS
		916	ANT-916-CW-RCL-ND◆	5.11	4.67	4.00	ANT-916-CW-RCL
8	1/2 Wave Whip RP-SMA	2.4GHz	ANT-2.4-CW-RCL-ND◆	5.11	4.67	4.00	ANT-2.4-CW-RCL
		2.4GHz	ANT-2.4-CW-RCT-RP-ND◆	6.15	5.63	4.72	ANT-2.4-CW-RCT-RP
9	Permanent Mount Reduced Height 1/4 Wave Whip	315	ANT-315-PW-LP-ND◆	1.47	1.35	1.30	ANT-315-PW-LP
		418	ANT-418-PW-LP-ND◆	1.47	1.35	1.30	ANT-418-PW-LP
		433	ANT-433-PW-LP-ND◆	1.47	1.35	1.30	ANT-433-PW-LP
		868	ANT-868-PW-LP-ND◆	1.47	1.35	1.30	ANT-868-PW-LP
		916	ANT-916-PW-LP-ND◆	1.47	1.35	1.30	ANT-916-PW-LP
10	Permanent Mount Swivel Angle 1/4 Wave Whip	315	ANT-315-PW-RA-ND◆	2.50	2.26	2.10	ANT-315-PW-RA
		418	ANT-418-PW-RA-ND◆	2.50	2.26	2.10	ANT-418-PW-RA
		433	ANT-433-PW-RA-ND◆	2.50	2.26	2.10	ANT-433-PW-RA
		916	ANT-916-PW-RA-ND◆	2.50	2.26	2.10	ANT-916-PW-RA
11	1/2 Wave Swivel RP-SMA	2.45/5.8GHz	ANT-DB1-RAF-RPS-ND◆	7.46	6.54	5.71	ANT-DB1-RAF-RPS
12	Planar Antenna (SMT)	315	ANT-315-SP_-ND◆	1.51	1.33	1.28	ANT-315-SP_-
		418	ANT-418-SP_-ND◆	1.51	1.33	1.28	ANT-418-SP_-
		433	ANT-433-SP_-ND◆	1.51	1.33	1.28	ANT-433-SP_-
		868	ANT-868-SP_-ND◆	1.51	1.33	1.28	ANT-868-SP_-
		916	ANT-916-SP_-ND◆	1.51	1.33	1.28	ANT-916-SP_-
13	1/4 Wave, JJB Permanent Ultra-Miniature, Straight	868	ANT-868-JJB-ST-ND	1.25	1.14	.98	ANT-868-JJB-ST
14	JJB Permanent Ultra-Miniature, Straight	916	ANT-916-JJB-ST-ND◆	1.42	1.25	1.09	ANT-916-JJB-ST
		2.45GHz	ANT-2.4-JJB-ST-ND◆	1.25	1.14	1.09	ANT-2.4-JJB-ST
15	JJB Permanent Ultra-Miniature, Right Angle	868	ANT-868-JJB-RA-ND◆	1.25	1.14	.98	ANT-868-JJB-RA
		916	ANT-916-JJB-RA-ND◆	1.42	1.25	1.09	ANT-916-JJB-RA
		2.45GHz	ANT-2.4-JJB-RA-ND◆	1.25	1.14	1.09	ANT-2.4-JJB-RA
		868	ANT-868-CHPCT-ND◆◆	3.61	3.30	2.83	ANT-868-CHP-T
—	Ultra-Compact Chip Antenna	868	ANT-868-CHPTR-ND◆◆	3.61	8226.31/3,000	2.83	ANT-868-CHP-T
		916	ANT-916-CHPCT-ND◆◆	3.61	3.30	2.83	ANT-916-CHP
		916	ANT-916-CHPTR-ND◆◆	3.61	8226.31/3,000	2.83	ANT-916-CHP
		916	ANT-916-CHPTR-ND◆◆	3.61	8226.31/3,000	2.83	ANT-916-CHP

◆ RoHS Compliant * Cut Tape † Tape and Reel

(Continued)

Digi-Reel® Most SMT cutdown parts are available on a Digi-Reel®. For Digi-Reel part number, change 1-ND to 6-ND or CT-ND to DKR-ND. See Digi-Key® Services on page 2 for additional information.

Free shipping on orders over £50! All prices are in British pound sterling and include duties.
526 (UK091) uk.digikey.com — FREEPHONE: 0-800-587-0991 • 0-800-904-7786 — FREEFAX: 0-800-587-0992 • 0-800-904-7783

Fig.	Description	Frequency (MHz)	Digi-Key Part No.	1	25	100	Antenna Factor Part No.
16	Ultra-Compact Chip Antenna	2.45GHz	ANT-2.45-CHPCT-ND* ANT-2.45-CHPTR-ND*	1.10	1.00 1241.46/1,500	.97	ANT-2.45-CHP ANT-2.45-CHP
17	Helical Through-Hole Antenna	315 418 433 916	ANT-315-HETH-ND ANT-418-HETH-ND ANT-433-HETH-ND ANT-916-HETH-ND	.64 .64 .64 .64	.55 .55 .55 .55	.49 .49 .49 .49	ANT-315-HETH ANT-418-HETH ANT-433-HETH ANT-916-HETH
18	Helical SMA Antenna	418	ANT-418-HESM-ND	.64	.55	.49	ANT-418-HESM
19	1/4 Wave Whip Right Angle	315 418 433 2.45GHz	ANT-315-CW-RAH-ND ANT-418-CW-RAH-ND ANT-433-CW-RAH-ND ANT-2.4-CW-RAH-RPS-ND	6.15 6.15 6.15 3.54	5.63 5.63 5.63 3.25	4.51 4.51 4.51 2.72	ANT-315-CW-RAH ANT-315-CW-RAH ANT-433-CW-RAH ANT-2.4-CW-RAH-RPS
20	1/4 Wave Right Angle with SMA	2.45GHz	ANT-2.4-CW-RAH-SMA-ND	3.54	3.25	2.78	ANT-2.4-CW-RAH-SMA
21	1/2 Wave Whip RP-SMA	868 916	ANT-868-CW-HW-ND ANT-916-CW-HW-ND	6.16 6.16	5.64 5.64	4.54 4.54	ANT-868-CW-HW ANT-916-CW-HW
22	1/4 Wave Whip RP-SMA	315	ANT-315-CW-HWR-RPS-ND	7.25	6.63	5.55	ANT-315-CW-HWR-RPS
		418	ANT-418-CW-HWR-RPS-ND	7.25	6.63	5.55	ANT-418-CW-HWR-RPS
		433	ANT-433-CW-HWR-RPS-ND	7.25	6.63	5.55	ANT-433-CW-HWR-RPS
	1/2 Wave Whip RP-SMA	868	ANT-868-CW-HWR-RPS-ND	7.25	6.63	5.55	ANT-868-CW-HWR-RPS
		916	ANT-916-CW-HWR-RPS-ND	7.25	6.63	5.55	ANT-916-CW-HWR-RPS
	1/4 Wave Whip SMA	315	ANT-315-CW-HWR-SMA-ND	7.25	6.63	5.55	ANT-315-CW-HWR-SMA
418 433		ANT-418-CW-HWR-SMA-ND ANT-433-CW-HWR-SMA-ND	7.25 7.25	6.63 6.63	5.55 5.55	ANT-418-CW-HWR-SMA ANT-433-CW-HWR-SMA	
23	Permanent Mount 1/4 Wave SMA	868	ANT-868-WRT-SMA-ND	8.87	8.11	7.61	ANT-868-WRT-SMA
		916	ANT-916-WRT-SMA-ND	8.87	8.11	7.61	ANT-916-WRT-SMA
	Permanent Mount 1/4 Wave RP-SMA	868	ANT-868-WRT-RPS-ND	8.87	8.11	7.61	ANT-868-WRT-RPS
		916	ANT-916-WRT-RPS-ND	8.87	8.11	7.61	ANT-916-WRT-RPS
	Evaluation Kit for CHP Antenna	2.45GHz	AEK-2.45-CHP-ND	13.76	—	—	AEK-2.45-CHP

◆ RoHS Compliant • Cut Tape † Tape and Reel

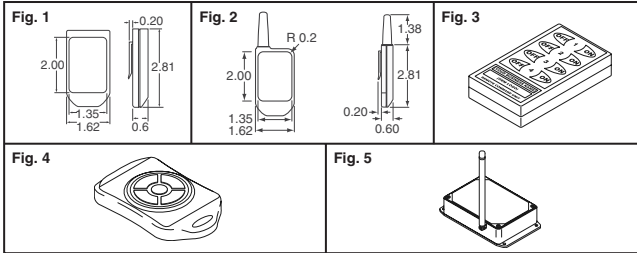
B

OEM Modules

FCC Pre-Certified OEM Products



Dimensions in mm



All units below are pre-approved with the FCC to allow immediate integration and sale in most OEM product.

Compact Handheld Transmitter: Compact 8-buttons handheld remote is capable of up to 150 feet transmission range. The keypad and labeling can be modified to meet specific customer requirements. Can create up to 1,024 distinct transmitter-receiver relationships.

Long-Range Handheld Transmitter: Compact 8-buttons handheld remote is capable of up to 300+ feet transmission range. The keypad and labeling can be modified to meet specific customer requirements. Can create up to 1,024 distinct transmitter-receiver relationships. External antenna attached.

Handheld Transmitter: Compact 8-button handheld remote is capable of 100+ feet transmission ranges. The transmission can be decoded using a standard decoder IC, microcontroller or matching Linx function module. Selectable addressing provides security and allows distinct TX/RX relationships.

Keypad Transmitter: This tiny keypad features outstanding range performance and is configured with 1 to 5 buttons for a variety of OEM applications.

1 to 4 Position Relay Function Module: Provides 4 latched relay outputs which are capable of switching external AC or DC powered loads up to 5 amps. Selectable addressing.

Fig.	Description	Freq. (MHz)	Digi-Key Part No.	1	25	100	Linx Part No.
1	Compact Handheld Transmitter	418	CMD-HHCP-418-ND	21.34	19.52	17.08	CMD-HHCP-418
		433	CMD-HHCP-433-ND	21.34	19.52	17.08	CMD-HHCP-433
		315	CMD-HHCP-315-MD-ND	22.11	20.22	17.06	CMD-HHCP-315-MD
		418	CMD-HHCP-418-MD-ND	22.11	20.22	17.06	CMD-HHCP-418-MD
		433	CMD-HHCP-433-MD-ND	22.11	20.22	17.06	CMD-HHCP-433-MD
		315	OTX-315-HH-CP8-MS-ND	31.33	28.65	26.86	OTX-315-HH-CP8-MS
2	Long-Range Handheld Transmitter	418	CMD-HHLR-418-ND	23.53	21.52	19.23	CMD-HHLR-418
		433	CMD-HHLR-433-ND	23.53	21.52	19.23	CMD-HHLR-433
		315	CMD-HHLR-315-MD-ND	24.29	22.21	18.74	CMD-HHLR-315-MD
		418	CMD-HHLR-418-MD-ND	24.29	22.21	18.74	CMD-HHLR-418-MD
		433	CMD-HHLR-433-MD-ND	24.29	22.21	18.74	CMD-HHLR-433-MD
		315	OTX-315-HH-LR8-MS-ND	32.91	30.09	28.21	OTX-315-HH-LR8-MS
3	Handheld Transmitter	418	CMD-HHTX-418-ND	23.25	21.26	18.21	CMD-HHTX-418
		433	CMD-HHTX-433-ND	23.25	21.26	18.21	CMD-HHTX-433
		315	CMD-KEY5-315-ND	14.23	13.52	12.40	CMD-KEY5-315
		418	CMD-KEY5-418-ND	14.23	13.52	12.40	CMD-KEY5-418
		433	CMD-KEY5-433-ND	14.23	13.52	12.40	CMD-KEY5-433
		315	OTX-315-HH-KF5-MS-ND	15.54	14.76	14.57	OTX-315-HH-KF5-MS
4	1 to 5 Button FCC Pre-certified Keypad Transmitter	418	OTX-418-HH-KF5-MS-ND	15.54	14.76	14.57	OTX-418-HH-KF5-MS
		433	OTX-433-HH-KF5-MS-ND	15.54	14.76	14.57	OTX-433-HH-KF5-MS
		315	FCTN-RLY4X-315-ND	43.45	39.73	36.27	FCTN-RLY4-315
5	1 to 4 Position Relay Function Module	418	FCTN-RLY4-418-ND	43.45	39.73	36.27	FCTN-RLY4-418
		433	FCTN-RLY4X-433-ND	43.45	39.73	36.27	FCTN-RLY4-433

◆ RoHS Compliant

Evaluation Kits and Accessories

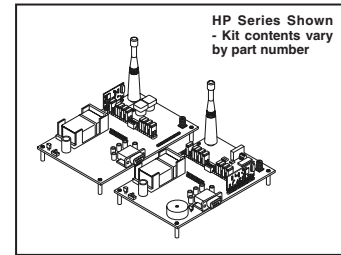
These kits provide the most complete opportunity to evaluate the Linx module series of your choice and then begin the integration of it into your own design.

Basic Evaluation Kit:

This kit is a quick way to evaluate the field performance of Linx products. The kit does not allow for the level of testing and interface possible with Master Kits but provides a cost-effective starting point.

Master Evaluation/Development System Kit:

The kits not only allow evaluation of the module series you have chosen, but also speed the development of your own design via on-board prototyping area and breakout headers.



HP Series Shown - Kit contents vary by part number

Description	MHz	Digi-Key Part No.	Price Each	Linx Part No.
Basic Evaluation Kits				
SC Series	916	EEVAL-916-SC-P-ND	144.47	EEVAL-916-SC
KH Series	315	EEVAL-315-KH-ND	108.17	EEVAL-315-KH
	433	EEVAL-433-KH-ND	108.17	EEVAL-433-KH
KH2 Series	315	EEVAL-315-KH2-ND	108.17	EEVAL-315-KH2
	418	EEVAL-418-KH2-ND	108.17	EEVAL-418-KH2
	433	EEVAL-433-KH2-ND	108.17	EEVAL-433-KH2
ES Series	916	EEVAL-916-ES-ND	129.95	EEVAL-916-ES
Keypad Series	418	EEVAL-418-KEY5-ND	86.39	EEVAL-418-KEY5
HHCP Series	418	EEVAL-418-HHCP-ND	93.65	EEVAL-418-HHCP
HHLR Series	418	EEVAL-418-HHLR-ND	93.65	EEVAL-418-HHLR
LR Series	315	EEVAL-315-LR-ND	100.91	EEVAL-315-LR
	418	EEVAL-418-LR-ND	100.91	EEVAL-418-LR
	433	EEVAL-433-LR-ND	100.91	EEVAL-433-LR-S
LT Series	315	EEVAL-315-LT-ND	108.17	EEVAL-315-LT
	418	EEVAL-418-LT-ND	108.17	EEVAL-418-LT
LC Series	315	EEVAL-315-LC-ND	100.91	EEVAL-315-LC
	418	EEVAL-418-LC-ND	100.91	EEVAL-418-LC
433	EEVAL-433-LC-ND	100.91	EEVAL-433-LC	
Master Evaluation / Development System Kits				
HP-3 Series	900	MDEV900HP3PPSR23-ND	217.07	MDEV-900-HP3-PPS-RS232
ES Series	916	MDEV-916-ES-ND	217.07	MDEV-916-ES
SC-P Series	916	MDEV-916-SC-P-ND	217.07	MDEV-916-SC-P
SC-S Series	916	MDEV-916-SC-S-ND	217.07	MDEV-916-SC-S
QS Series	—	MDEV-USB-QS-ND	93.65	MDEV-USB-QS
MS Series	315	MDEV-315-HH-KF5-MS-ND	108.86	MDEV-315-HH-KF5-MS
	418	MDEV-418-HH-KF5-MS-ND	108.86	MDEV-418-HH-KF5-MS
	433	MDEV-433-HH-KF5-MS-ND	108.86	MDEV-433-HH-KF5-MS
MS Series	315	MDEV-315-HH-CP8-MS-ND	108.86	MDEV-315-HH-CP8-MS
	418	MDEV-418-HH-CP8-MS-ND	108.86	MDEV-418-HH-CP8-MS
	433	MDEV-433-HH-CP8-MS-ND	108.86	MDEV-433-HH-CP8-MS
MS Series	315	MDEV-315-HH-LR8-MS-ND	108.86	MDEV-315-HH-LR8-MS
	418	MDEV-418-HH-LR8-MS-ND	108.86	MDEV-418-HH-LR8-MS
	433	MDEV-433-HH-LR8-MS-ND	108.86	MDEV-433-HH-LR8-MS
418	MDEV-418-LICAL-MS-ND	180.77	MDEV-LICAL-MS	
Accessories — RoHS Compliant				
CR2032 Coin Battery Holder	—	BAT-HLD-001-ND	.38	BATHLD-001

◆ RoHS Compliant

Digi-Reel® Most SMT cutdown parts are available on a Digi-Reel®. For Digi-Reel part number, change 1-ND to 6-ND or CT-ND to DKR-ND. See Digi-Key® Services on page 2 for additional information.

Free shipping on orders over £50! All prices are in British pound sterling and include duties.

uk.digikey.com — FREEPHONE: 0-800-587-0991 • 0-800-904-7786 — FREEFAX: 0-800-587-0992 • 0-800-904-7783

(UK091) 527