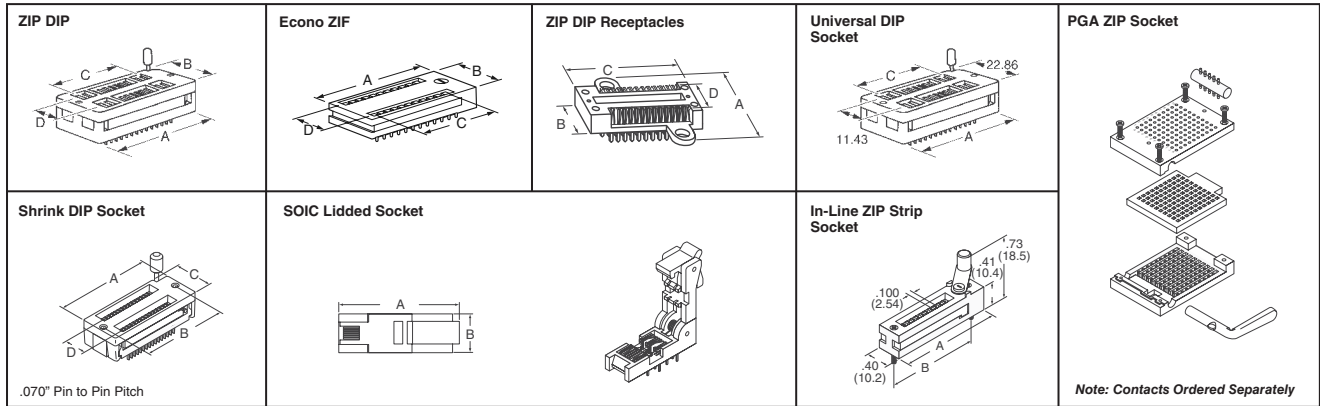


3M Zero Insertion Force (ZIF) I.C. Sockets



ZIP DIP SOCKETS:

Features: • For DIPs with .100" (2.54mm) lead spacing • Pin counts for 14-64 leads • Lever actuated zero insertion force mechanism • Socket easily disassembles for repairability

Physical Specifications: • Insulation Material: Glass Filled Polysulfone; Flammability: UL 94V-0 • Color: Green • Contact Material: Beryllium Copper; Plating: 30µ" (0.76µm) Gold over 50µ" (1.3µm) Nickel **Electrical Specifications:** • Current Rating: 1 Amp **Environmental Specifications:** • Operating Temperature Rating: -55°C - 150°C

ECONO ZIF SOCKETS:

Designed for OEM/end use applications where field replacement or programming of DIPs is required. The patented ZIF feature uses screwdriver rotation of a cam (instead of a lever) for security against vibration or accidental unloading. Leads are on .100" centers.

ZIP DIP RECEPTACLES:

Features: • Matching receptacle for every ZIP DIP Socket, including "Universal DIP" and "Shrink DIP" • Mounting flanges hold receptacle to board • Pre-tapped holes in receptacle body mate with screw-hole in socket to hold socket firmly to receptacle (2 screws provided with each receptacle)

Physical Specifications: • Insulation Material: Glass Filled Polysulfone; Flammability Rating: UL94V-0 • Color: Green • Contact Material: Beryllium Copper; Plating: 30µ" (0.76µm) Gold over 50µ" (1.3µm) Nickel **Electrical Specifications:** • Current Rating: 1 Amp **Environmental Specifications:** • Operating Temperature Rating: -55°C - 150°C

UNIVERSAL DIP SOCKETS .100 CENTERS:

Features: • For DIPs with .100" lead spacing • Extra wide contact zone allows insertion of DIPs with distance between rows from .300" through .600" • Lever actuated zero insertion force mechanism • Socket easily disassembles for repairability

Physical Specifications: • Insulation Material: Glass Filled Polysulfone; Flammability: UL 94V-0 • Color: Green • Contact Material: Beryllium Copper; Plating: 30µ" (0.76µm) Gold over 50µ" (1.3µm) Nickel **Electrical Specifications:** • Current Rating: 1 Amp **Environmental Specifications:** • Operating Temperature Rating: -55°C - 150°C

SHRINK DIP SOCKETS:

Features: • For DIPs with .070" (1.78mm) lead spacing • Pin counts from 28 through 90 leads • Lever actuated zero insertion force mechanism

Physical Specifications: • Insulation Material: Glass Filled Polysulfone; Flammability: UL 94V-0 • Color: Green • Contact Material: Beryllium Copper; Plating: Gold Flash over 50µ" (1.3µm) Nickel **Electrical Specifications:** • Current Rating: 1 Amp **Environmental Specifications:** • Operating Temperature Rating: -55°C - 150°C

SOIC SOCKETS LIDDED:

Features: • Lid can be actuated from top or front and is compatible with automated load/unload equipment • Compact envelope and side to side stackability maximize board density • Tweezer slot for easy manual loading/unloading • Lid applies 80 grams normal force per lead for maximum electrical reliability • Accepts Gull Wing JEDEC devices sizes in .150" (3.81mm) and .300" (7.62mm) body widths

Physical Specifications: • Insulation Material: Glass Filled Polyethersulfone; Flammability: UL 94V-0 • Color: Black • Contact Material: Beryllium Copper; Plating: 30µ" (0.76µm) Gold over 50µ" (1.3µm) Nickel **Electrical Specifications:** • Current Rating: 1 Amp **Environmental Specifications:** • Operating Temperature Rating: -55°C - 150°C

IN-LINE ZIP STRIP SOCKETS:

Features: • For single-in-line packages on .100" (2.54mm) centers • SIP pin counts from 10 through 36 leads • Lever actuated zero insertion force mechanism • Ganging bar included to enable mass actuation • Accepts pins up to .025" (0.6mm) square

Physical Specifications: • Insulation Material: Glass Filled Polysulfone; Flammability: UL 94V-0 • Color: Green • Contact Material: Beryllium Copper; Plating: 30µ" (0.76µm) Gold over 50µ" (1.3µm) Nickel **Electrical Specifications:** • Current Rating: 1 Amp **Environmental Specifications:** • Operating Temperature Rating: -55°C - 150°C

PGA ZIP SOCKETS:

Features: • Available in 10 x 10 matrix through 25 x 25 matrix • Used when only a few test sockets are needed • Provides individual components ready for assembly • Open pattern top plate; load only those contacts needed for your specific device pin pattern

Physical Specifications: • Insulation Material: Polyethersulfone (PES); Flammability: UL 94V-0V • Color: Black • Contact Material: Beryllium Copper • Plating Options: 30µ" (0.76µm) Gold over 50µ" (1.3µm) Nickel **Electrical Specifications:** • Current Rating: 1 Amp **Environmental Specifications:** • Operating Temperature Rating: -55°C - 150°C

Note: Contacts Ordered Separately

No. of Pins	Contact Plating	Dimensions - Inch (mm)				Digi-Key Part No.	Pricing		3M Part No.
		A	B	C	D		1	10	
ZIP DIP Sockets									
14	Gold	1.30 (33.0)	.60 (15.2)	.60 (15.2)	.300 (7.62)	3M1402-ND	7.38	58.58	214-3339-00-0602J
16		1.39 (35.3)	.60 (15.2)	.70 (17.8)	.300 (7.62)	3M1602-ND	7.68	60.97	216-3340-00-0602J
18		1.49 (37.8)	.60 (15.2)	.80 (20.3)	.300 (7.62)	3M1802-ND	7.98	63.37	218-3341-00-0602J
20		1.59 (40.4)	.60 (15.2)	.90 (22.9)	.300 (7.62)	3M2002-ND	7.83	62.09	220-3342-00-0602J
22		1.69 (42.9)	.70 (17.8)	1.00 (25.4)	.400 (10.16)	3M2202-ND	8.60	68.29	222-3343-00-0602J
24		1.78 (45.3)	.90 (22.9)	1.10 (27.9)	.600 (15.24)	3M2402-ND	7.64	60.65	224-1275-00-0602J
24	Gold	1.79 (45.5)	.60 (15.2)	1.10 (27.9)	.300 (7.62)	3M5000-ND	10.76	86.07	224-5248-09-0602J
28		1.99 (50.5)	.90 (22.9)	1.30 (33.0)	.600 (15.24)	3M2802-ND	8.02	63.58	228-1277-00-0602J
28		1.99 (50.5)	.70 (17.8)	1.30 (33.0)	.400 (10.16)	3M5001-ND	10.92	87.35	228-4817-09-0602J
32		2.19 (55.5)	.90 (22.9)	1.50 (38.1)	.600 (15.24)	3M5076-ND	10.60	84.80	232-1285-00-0602J
40		2.58 (65.6)	.90 (22.9)	1.90 (48.3)	.600 (15.24)	3M4002-ND	9.79	77.70	240-1280-00-0602J
64		3.95 (100.3)	1.30 (33.0)	3.10 (78.7)	.900 (22.86)	3M6402-ND	15.32	121.60	264-4493-00-0602J
40	Gold	2.58 (65.5)	1.30 (33.0)	1.90 (48.3)	1.00 (25.4)	3M5002-ND	14.96	119.64	240-3639-09-0602J
42		2.68 (68.2)	.90 (22.9)	2.00 (50.8)	.600 (15.24)	3M5003-ND	11.94	95.48	242-1281-00-0602J
48		2.98 (75.8)	.90 (22.9)	2.30 (58.4)	.600 (15.24)	3M5004-ND	14.88	119.06	248-1282-00-0602J
Econo ZIF Sockets									
16	Gold	1.10 (27.94)	.50 (12.70)	.700 (17.78)	.300 (7.62)	3M1603-ND	4.44	38.69	216-6278-00-3303
ZIP DIP Receptacles - Solder Tail with Flanges									
14	Gold	1.00 (25.4)	.60 (15.2)	1.28 (32.5)	.300 (7.62)	3M1401-ND	6.94	52.49	214-3339-09-0602J
16		.96 (24.4)	.56 (14.2)	1.37 (34.8)	.300 (7.62)	3M1601-ND	7.23	54.69	216-3340-09-0602J
18		.95 (24.1)	.55 (14.0)	1.49 (37.8)	.300 (7.62)	3M1801-ND	7.14	54.01	218-3341-09-0602J
20		1.00 (25.4)	.60 (15.2)	1.58 (40.1)	.300 (7.62)	3M2001-ND	7.42	56.11	220-3342-09-0602J
22		1.06 (26.9)	.65 (16.5)	1.69 (42.9)	.400 (10.16)	3M2201-ND	7.71	58.31	222-3343-09-0602J
24		1.26 (32.0)	.86 (21.8)	1.77 (45.0)	.600 (15.24)	3M2401-ND	7.27	54.99	224-1275-09-0602J
24	Gold	.96 (24.4)	.56 (14.2)	1.77 (45.0)	.300 (7.62)	3M5021-ND	8.19	65.51	224-5248-09-0602J
28		1.26 (32.0)	.86 (21.8)	1.98 (50.3)	.600 (15.24)	3M2801-ND	7.60	57.52	228-1277-09-0602J
28		1.09 (27.9)	.70 (17.8)	1.59 (40.5)	.400 (10.16)	3M5026-ND	13.29	106.29	228-1290-09-0602J
28		1.06 (26.9)	.66 (16.8)	1.98 (50.3)	.400 (10.16)	3M5028-ND	10.15	81.20	228-4817-09-0602J
32		1.25 (32.0)	.86 (21.9)	2.17 (55.2)	.600 (15.24)	3M5030-ND	8.47	67.72	232-1285-09-0602J
40		1.27 (32.3)	.86 (21.8)	2.58 (65.5)	.600 (15.24)	3M4001-ND	10.06	76.14	240-1280-09-0602J
40	Gold	1.66 (42.2)	1.26 (32.0)	2.58 (65.5)	1.00 (25.4)	3M5037-ND	11.94	95.48	240-3639-09-0602J
42		1.26 (32.0)	.86 (21.8)	2.68 (68.1)	.600 (15.24)	3M5039-ND	10.41	83.29	242-1281-09-0602J
42		1.30 (33.0)	.90 (22.9)	2.08 (52.9)	.600 (15.24)	3M5043-ND	10.27	82.13	242-1293-09-0602J
48		1.25 (31.8)	.86 (21.8)	2.98 (75.8)	.600 (15.24)	3M5045-ND	10.99	87.93	248-1282-09-0602J
64	Gold	1.70 (43.2)	1.30 (33.0)	3.95 (100.3)	.900 (22.86)	3M6401-ND	15.18	114.85	264-4493-09-0602J
64		1.52 (38.5)	1.11 (28.3)	2.85 (72.5)	.800 (20.32)	3M5049-ND	14.78	118.25	264-1300-09-0602J
90		1.61 (40.8)	1.19 (30.2)	3.77 (95.7)	.900 (22.86)	3M5052-ND	23.19	185.51	290-1294-09-0602J
ZIP DIP Receptacles - Wire Wrap with Flanges									
14	Gold	1.00 (25.4)	.60 (15.2)	1.28 (32.5)	.300 (7.62)	3M5013-ND	8.94	71.55	214-3339-19-0602J
16		.96 (24.4)	.56 (14.2)	1.37 (34.8)	.300 (7.62)	3M5014-ND	9.42	75.39	216-3340-19-0602J
18		.95 (24.1)	.55 (14.0)	1.49 (37.8)	.300 (7.62)	3M5015-ND	9.92	79.34	218-3341-19-0602J
20		1.00 (25.4)	.60 (15.2)	1.58 (40.1)	.300 (7.62)	3M5016-ND	10.44	83.52	220-3342-19-0602J
22		1.06 (26.9)	.65 (16.5)	1.69 (42.9)	.400 (10.16)	3M5017-ND	10.34	82.71	222-3343-19-0602J
24		1.26 (32.0)	.86 (21.8)	1.77 (45.0)	.600 (15.24)	3M5018-ND	9.31	74.46	224-1275-19-0602J

(Continued)

Free shipping on orders over £50! All prices are in British pound sterling and include duties.

uk.digikey.com — FREEPHONE: 0-800-587-0991 • 0-800-904-7786 — FREEFAX: 0-800-587-0992 • 0-800-904-7783

(UK091) 501

3M Zero Insertion Force (ZIF) I.C. Sockets (Cont.)



A

No. of Pins	Contact Plating	Dimensions — Inch (mm)				Digi-Key Part No.	Pricing		3M Part No.
		A	B	C	D		1	10	
24	Gold	.96 (24.4)	.56 (14.2)	1.77 (45.0)	.300 (7.62)	3M5022-ND	10.79	86.31	224-5248-19-0602J
28		1.26 (32.0)	.86 (21.8)	1.98 (50.3)	.600 (15.24)	3M5023-ND	10.44	83.52	228-1277-19-0602J
28		1.06 (26.9)	.66 (16.8)	1.98 (50.3)	.400 (10.16)	3M5029-ND	12.10	96.76	228-4817-19-0602J
32		1.25 (32.0)	.86 (21.9)	2.17 (55.2)	.600 (15.24)	3M5031-ND	17.74	141.95	232-1285-19-0602J
40		1.27 (32.3)	.86 (21.8)	2.58 (65.5)	.600 (15.24)	3M5034-ND	12.71	101.64	240-1280-19-0602J
40	Gold	1.66 (42.2)	1.26 (32.0)	2.58 (65.5)	1.000 (25.4)	3M5038-ND	15.51	124.06	240-3639-19-0602J
42		1.26 (32.0)	.86 (21.8)	2.68 (68.1)	.600 (15.24)	3M5040-ND	13.78	110.24	242-1281-19-0602J
48		1.25 (31.8)	.86 (21.8)	2.98 (75.8)	.600 (15.24)	3M5046-ND	14.62	116.97	248-1282-19-0602J
64		1.70 (43.2)	1.30 (33.0)	3.95 (100.3)	.900 (22.86)	3M5051-ND	21.30	170.41	264-4493-19-0602J
ZIP DIP Receptacles — Solder Tail without Flanges									
24	Gold	1.26 (32.0)	.86 (21.8)	1.77 (45.0)	.600 (15.24)	3M5019-ND	7.42	59.36	224-1275-29-0602J
28		1.26 (32.0)	.86 (21.8)	1.98 (50.3)	.600 (15.24)	3M5024-ND	7.74	61.91	228-1277-29-0602J
28		1.09 (27.9)	.70 (17.8)	1.59 (40.5)	.400 (10.16)	3M5027-ND	7.70	61.56	228-1290-29-0602J
32		1.25 (32.0)	.86 (21.9)	2.17 (55.2)	.600 (15.24)	3M5032-ND	8.47	67.72	232-1285-29-0602J
40		1.27 (32.3)	.86 (21.8)	2.58 (65.5)	.600 (15.24)	3M5035-ND	10.28	82.24	240-1280-29-0602J
42	Gold	1.26 (32.0)	.86 (21.8)	2.68 (68.1)	.600 (15.24)	3M5041-ND	10.41	83.29	242-1281-29-0602J
42		1.30 (33.0)	.90 (22.9)	2.08 (52.9)	.600 (15.24)	3M5044-ND	22.58	180.63	242-1293-29-0602J
48		1.25 (31.8)	.86 (21.8)	2.98 (75.8)	.600 (15.24)	3M5047-ND	10.99	87.93	248-1282-29-0602J
64		1.52 (38.5)	1.11 (28.3)	2.85 (72.5)	.800 (20.32)	3M5050-ND	14.74	117.90	264-1300-29-0602J
90		1.61 (40.8)	1.19 (30.2)	3.77 (95.7)	.900 (22.86)	3M5053-ND	20.49	163.90	290-1294-29-0602J
ZIP DIP Receptacles — Wire Wrap without Flanges									
24	Gold	1.26 (32.0)	.86 (21.8)	1.77 (45.0)	.600 (15.24)	3M5020-ND	9.31	74.46	224-1275-39-0602J
28		1.26 (32.0)	.86 (21.8)	1.98 (50.3)	.600 (15.24)	3M5025-ND	10.44	83.52	228-1277-39-0602J
32		1.25 (32.0)	.86 (21.9)	2.17 (55.2)	.600 (15.24)	3M5033-ND	10.86	86.89	232-1285-39-0602J
40		1.27 (32.3)	.86 (21.8)	2.58 (65.5)	.600 (15.24)	3M5036-ND	12.71	101.64	240-1280-39-0602J
42		1.26 (32.0)	.86 (21.8)	2.68 (68.1)	.600 (15.24)	3M5042-ND	13.78	110.24	242-1281-39-0602J
48	1.25 (31.8)	.86 (21.8)	2.98 (75.8)	.600 (15.24)	3M5048-ND	14.62	116.97	248-1282-39-0602J	
Universal DIP Sockets									
24	Gold	1.77 (45.0)	—	1.10 (27.94)	—	3M2406-ND	9.48	75.24	224-1286-00-0602J
28		1.99 (50.5)	—	1.30 (33.02)	—	3M2806-ND	12.05	95.67	228-1371-00-0602J
32		2.19 (56.6)	—	1.50 (38.10)	—	3M5005-ND	15.09	120.69	232-1287-00-0602J
40		2.59 (65.8)	—	1.90 (48.26)	—	3M4006-ND	14.84	117.76	240-1288-00-0602J
42		2.69 (68.2)	—	2.00 (50.80)	—	3M5006-ND	18.91	151.24	242-1289-00-0602J
Shrink DIP Sockets — .070" Pin to Pin Pitch									
28	Gold	1.60 (40.5)	1.42 (36.1)	.70 (17.8)	.40 (10.16)	3M5007-ND	10.09	80.73	228-1290-00-0602J
32		1.73 (44.0)	1.56 (39.6)	.70 (17.8)	.40 (10.16)	3M5008-ND	14.19	113.49	232-1291-00-0602J
42		2.10 (52.9)	1.90 (48.5)	.90 (22.9)	.60 (15.24)	3M5009-ND	13.84	110.70	242-1293-00-0602J
56		2.57 (65.4)	2.40 (61.0)	.90 (22.9)	.60 (15.24)	3M5010-ND	18.80	150.43	256-1292-00-0602J
64		2.90 (72.5)	2.68 (68.0)	1.10 (28.3)	.80 (20.70)	3M5011-ND	18.28	146.25	264-1300-00-0602J
90	3.77 (95.7)	3.59 (91.3)	1.23 (31.3)	.90 (22.86)	3M5012-ND	29.23	233.83	290-1294-00-3302J	
SOIC Lidded Sockets									
8	Gold	1.45 (36.8)	.47 (11.9)	—	—	3M5054-ND	13.81	110.47	208-7391-55-1902
14		1.45 (36.8)	.47 (11.9)	—	—	3M5055-ND	14.69	117.55	214-7390-55-1902
16		1.59 (40.4)	.57 (14.5)	—	—	3M5077-ND	15.59	124.76	216-7224-55-1902
16		1.45 (36.8)	.47 (11.9)	—	—	3M5078-ND	15.59	124.76	216-7383-55-1902
18		1.59 (40.4)	.57 (14.5)	—	—	3M5056-ND	16.00	128.01	218-7223-55-1902
20	Gold	1.59 (40.4)	.57 (14.5)	—	—	3M5057-ND	16.90	135.21	220-7201-55-1902
24		1.69 (42.9)	.80 (20.3)	—	—	3M5058-ND	18.67	149.38	224-7397-55-1902
28		1.69 (42.9)	.80 (20.3)	—	—	3M5059-ND	20.42	163.32	228-7396-55-1902
28		1.69 (42.9)	.80 (20.3)	—	—	3M5060-ND	20.42	163.32	228-7474-55-1902
In-Line ZIP Strip Sockets									
10	Gold	1.77 (45.0)	1.60 (40.8)	—	—	3M5061-ND	18.95	151.59	210-2599-00-0602
20		2.77 (70.4)	2.57 (65.3)	—	—	3M5062-ND	21.37	170.99	220-2600-00-0602
24		3.15 (80.0)	2.97 (75.4)	—	—	3M5063-ND	22.14	177.14	224-5809-00-0602
32		3.97 (100.8)	3.81 (96.8)	—	—	3M5064-ND	23.70	189.57	232-2601-00-0602
36		4.35 (110.5)	4.17 (105.9)	—	—	3M5065-ND	24.42	195.38	236-6225-00-0602

Matrix Size	Description	Digi-Key Part No.	Pricing		3M Part No.
PGA ZIP Sockets					
			1	10	
10 x 10	Socket Kit without Contacts	3M5066-ND	21.14	169.13	200-6310-9UN-1900
11 x 11	Socket Kit without Contacts	3M5067-ND	21.20	169.59	200-6311-9UN-1900
13 x 13	Socket Kit without Contacts	3M5068-ND	23.23	185.86	200-6313-9UN-1900
15 x 15	Socket Kit without Contacts	3M5069-ND	38.52	308.17	200-6315-9UN-1900
17 x 17	Socket Kit without Contacts	3M5070-ND	32.87	262.99	200-6317-9UN-1900
19 x 19	Socket Kit without Contacts	3M5071-ND	41.44	331.52	200-6319-9UN-1900
21 x 21	Socket Kit without Contacts	3M5072-ND	51.63	413.06	200-6321-9UN-1900
25 x 25	Socket Kit without Contacts	3M5073-ND	66.34	530.74	200-6325-9UN-1900
—	Socket Contact - BeCu/Au Plated	3M5074-ND	.16	1.28	300-6300-CNA-0002B
—	Extra Hole Plugs - Set of 10	3M5075-ND	1.09	8.71	200-4660-14-1900

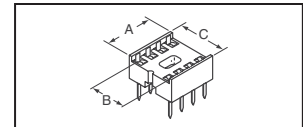
DIP Sockets

Features:

- Dual leaf, high compression contact provides reliable termination
- Side and end stackable

Specifications:

- Insulation Material: Polyester glass filled
- Flammability: UL 94V-0
- Color: Black
- Underplating: 35µ" min. Nickel overall
- Surface Plating: 135µ" min. Matte Tin overall
- Current Rating: 1 Amp
- Temperature Rating: -25°C - 85°C



No. of Contact	Dimensions — Inch (mm)			Digi-Key Part No.	Pricing			3M Part No.
	A	B	C		1	10	100	
Straight Tail								
8	.395 (10.03)	.300 (7.62)	.400 (10.16)	3M5461-ND	.15	1.32	10.67	4808-3000-CP
14	.695 (17.65)	.300 (7.62)	.400 (10.16)	3M5462-ND	.13	1.13	9.15	4814-3000-CP
16	.795 (20.19)	.300 (7.62)	.400 (10.16)	3M5463-ND	.13	1.13	9.15	4816-3000-CP
18	.895 (22.73)	.300 (7.62)	.400 (10.16)	3M5464-ND	.17	1.51	12.20	4818-3000-CP
20	.995 (25.27)	.300 (7.62)	.400 (10.16)	3M5465-ND	.17	1.51	12.20	4820-3000-CP
24	1.195 (30.35)	.300 (7.62)	.400 (10.16)	3M5466-ND	.20	1.70	13.72	4824-3000-CP
24	1.195 (30.35)	.600 (15.24)	.700 (17.78)	3M5467-ND	.20	1.70	13.72	4824-6000-CP
28	1.395 (35.43)	.600 (15.24)	.700 (17.78)	3M5469-ND	.20	1.70	13.72	4828-6000-CP
32	1.595 (40.51)	.600 (15.24)	.700 (17.78)	3M5470-ND	.24	2.08	16.77	4832-6000-CP
40	1.995 (50.67)	.600 (15.24)	.700 (17.78)	3M5471-ND	.30	2.64	21.34	4840-6000-CP
48	2.395 (60.83)	.600 (15.24)	.700 (17.78)	3M5472-ND	.39	3.40	27.44	4848-6000-CP

No. of Contact	Dimensions — Inch (mm)			Digi-Key Part No.	Pricing			3M Part No.
	A	B	C		1	10	100	
Kinked Tail								
8	.395 (10.03)	.300 (7.62)	.400 (10.16)	3M5473-ND	.13	1.13	9.15	4808-3004-CP
14	.695 (17.65)	.300 (7.62)	.400 (10.16)	3M5474-ND	.13	1.13	9.15	4814-3004-CP
16	.795 (20.19)	.300 (7.62)	.400 (10.16)	3M5475-ND	.15	1.32	10.67	4816-3004-CP
18	.895 (22.73)	.300 (7.62)	.400 (10.16)	3M5476-ND	.20	1.70	13.72	4818-3004-CP
20	.995 (25.27)	.300 (7.62)	.400 (10.16)	3M5477-ND	.20	1.70	13.72	4820-3004-CP
24	1.195 (30.35)	.300 (7.62)	.400 (10.16)	3M5478-ND	.24	2.08	16.77	4824-3004-CP
28	1.395 (35.43)	.300 (7.62)	.400 (10.16)	3M5480-ND	.24	2.08	16.77	4828-3004-CP
24	1.195 (30.35)	.600 (15.24)	.700 (17.78)	3M5479-ND	.24	2.08	16.77	4824-6004-CP
28	1.395 (35.43)	.600 (15.24)	.700 (17.78)	3M5481-ND	.33	2.83	22.87	4828-6004-CP
32	1.595 (40.51)	.600 (15.24)	.700 (17.78)	3M5482-ND	.30	2.64	21.34	4832-6004-CP
40	1.995 (50.67)	.600 (15.24)	.700 (17.78)	3M5483-ND	.39	3.40	27.44	4840-6004-CP
48	2.395 (60.83)	.600 (15.24)	.700 (17.78)	3M5484-ND	.46	3.96	32.02	4848-6004-CP

Free shipping on orders over £50! All prices are in British pound sterling and include duties.
 502 (UK091) uk.digikey.com — FREEPHONE: 0-800-587-0991 • 0-800-904-7786 — FREEFAX: 0-800-587-0992 • 0-800-904-7783