

ExpressCard/34 and ExpressCard/54 Module Components and Card Kit
ExpressCard module components and kits from FCI support module manufacturers' implementation of ExpressCard technology. Module components are provided for both the ExpressCard/34 and ExpressCard/54 module form factors.

Features: • Connector electrical performance is validated at the initial PCI Express data rate of 2.5Gb/s and the anticipated second-generation speed of 5.0Gb/s • Simple beam-on-blade contact interface is rated for up to 10,000 cycles.

Materials: • **Module Connector:** **Housing:** High-temperature thermoplastic **Terminal:** Copper alloy, gold over nickel in contact area, tin over nickel in solder area • **Module Card Kits:** **Plastic Cap:** Thermoplastic **Metal Shield:** Stainless Steel

Electrical Performance: • **Contact Resistance:** Initial 40mΩ maximum; 55mΩ maximum after test • **Current Rating:** 0.75A per contact • Meets insertion loss, return loss and crosstalk requirements in ExpressCard standard release 1.0

Environmental: • **Durability Rating (mating/unmating):** 10,000 cycles • **Field Temperature:** -65°C • **Field Life:** 5 years • **Temperature Life (preconditioning):** -105°C for 72 hours • **Temperature Life:** -105°C for 120 hours • **Mixed Flowing Gas Duration:** 7 days

Mechanical Performance: • **Durability:** 10,000 mating cycles • **Insertion Force:** 39N maximum • **Withdrawal Force:** 3.7N minimum; 18.5N maximum

ExpressCard Host Connectors and Universal Slot Systems
ExpressCard host connectors and systems from FCI support host systems manufacturers' implementation of ExpressCard technology.

Features: • Connector electrical performance is validated at the initial PCI Express data rate of 2.5Gb/s and the anticipated second-generation speed of 5.0Gb/s • Simple beam-on-blade contact interface is rated for up to 5,000 cycles.

Materials: • **Host Connector:** **Housing:** High-temperature thermoplastic **Terminal:** Copper alloy, gold over nickel in contact area, tin over nickel in solder area • **Host System:** **Cam Housing:** Thermoplastic **Metal Shield:** Stainless Steel

Electrical Performance: • **Contact Resistance:** Initial 40mΩ maximum; 55mΩ maximum after test • **Current Rating:** 0.75A per contact • Meets insertion loss, return loss and crosstalk requirements in ExpressCard standard release 1.0

Environmental: • **Durability Rating (mating/unmating):** 5,000 cycles • **Field Temperature:** -65°C • **Field Life:** 5 years • **Temperature Life (preconditioning):** -105°C for 72 hours • **Temperature Life:** -105°C for 120 hours • **Mixed Flowing Gas Duration:** 7 days

Mechanical Performance: • **Durability:** 5,000 mating cycles • **Insertion Force:** 39N maximum • **Withdrawal Force:** 3.7N minimum; 18.5N maximum

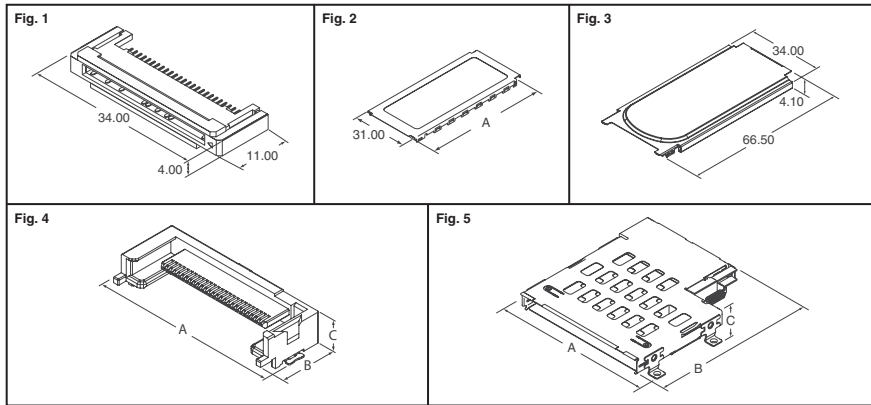


Fig.	Description	Dimensions - mm	Digi-Key Part No.	Price Each	Tape and Reel†	FCI Part No.
		A B C		1 25 100	Qty. Pricing	
ExpressCard/34 and ExpressCard/54 Systems						
1	Modular Connector	— — —	609-1081-1-ND\$	2.08 1.28 1.14	480 506.09	10030570-2112LF
2	ExpressCard/34 Top Shield	70.70 — —	609-1082-ND	1.01 .55 47	—	10030573-100LF
		74.80 — —	609-1083-ND	.90 50 44	—	10030573-200LF
3	ExpressCard/34 Bottom Shield	— — —	609-1084-ND	1.21 .66 .57	—	10030574-0010LF
		— — —	609-1085-ND	1.44 .83 .72	—	10030574-2100LF
ExpressCard Host Systems						
4	Host Connector	40.20 15.15 7.70	609-1073-1-ND\$	1.68 .99 .88	200 168.75	10056265-122ABTLF
		38.20 13.15 5.50	609-1075-1-ND\$	1.50 .91 .79	200 153.51	10053826-100ABTLF
		38.20 13.15 5.50	609-1077-1-ND\$	1.49 .88 .76	200 145.41	10055262-100BTLF
		38.20 13.15 5.50	609-1080-1-ND\$	1.58 .91 .80	200 150.72	10058937-100ABTLF
5	Host System (Card Push)	62.30 62.20 8.40	609-1074-ND	3.00 1.88 1.72	—	10038774-22ALF
		63.30 62.15 6.20	609-1078-ND	2.92 1.82 1.65	—	10055263-00BLF

† For Tape and Reel part number, change 1-ND to 2-ND.

‡ Cut Tape

SmartCard Connectors

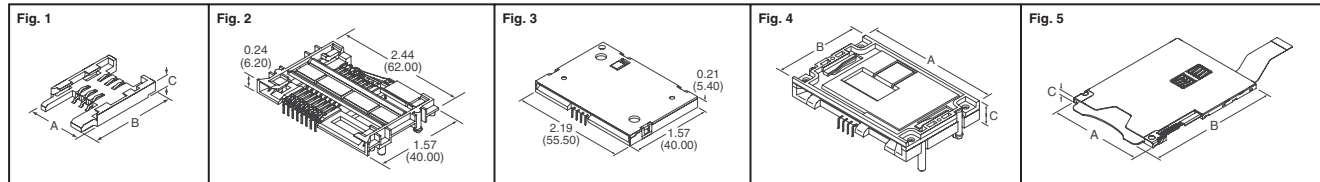
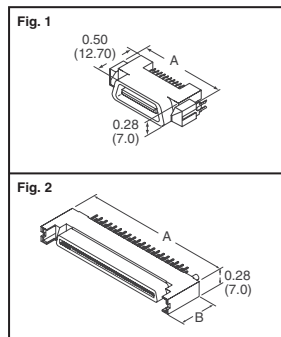


Fig.	Description	Dimensions - Inch (mm)	Digi-Key Part No.	Price Each	Tape and Reel†	FCI Part No.
		A B C		1 25 100	Qty. Pricing	
SimCard Connectors						
1	6 Position with Switch, SMD	0.67 (17.00) 1.00 (25.50) 0.15 (3.70)	609-1400-1-ND\$	1.26 .68 .60	650 336.81	7111S1615A01LF
	6 Position with Cover, SMD	0.68 (17.20) 1.16 (29.50) 0.10 (2.50)	609-1401-1-ND\$.80 .42 .37	1,400 284.67/M	7111S2015X02LF
	6 Position with Cover, SMD	0.79 (20.00) 1.18 (30.00) 0.12 (3.00)	609-1402-1-ND\$	1.50 .88 .77	800 527.60	7112S0815X19LF
	8 Position with Cover, SMD	0.79 (20.00) 1.18 (30.00) 0.12 (3.00)	609-1403-1-ND\$	1.83 1.08 .94	800 645.38	7112S0825X01LF
SmartCard Connectors						
2	8 Position with Cover, PCB	— — —	609-1404-ND	.95 .54 .45	—	7334L2622F01LF
	8 Position with Cover, PCB	— — —	609-1405-ND	.97 .54 .46	—	7334L2622F04LF
	8 Position with Cover, PCB	— — —	609-1406-ND	1.06 .58 .50	—	7334L2622F05LF
	8 Position with Cover, PCB	— — —	609-1407-ND	1.04 .58 .50	—	7334L2622F13LF
3	8 Position, PCB	— — —	609-1409-ND	3.11 1.94 1.76	—	7431E022S01LF
	8 Position, PCB	— — —	609-1410-ND	3.26 2.03 1.84	—	7432E022S01LF
4	8 Position, PCB	2.44 (62.00) 1.57 (40.00) 0.35 (9.00)	609-1412-ND	3.46 2.16 1.98	—	7434L1025V01LF
	8 Position, PCB	1.23 (31.16) 1.57 (40.00) 0.16 (4.00)	609-1413-ND	2.56 1.59 1.40	—	7832C0425X01LF
	8 Position, PCB	2.44 (62.00) 1.57 (40.00) 0.26 (6.50)	609-1414-ND	1.19 .66 .57	—	52400-25ALF
5	8 Position with FPC Shape, PCB	2.60 (66.00) 3.50 (88.80) 0.15 (3.70)	609-1415-ND	6.17 4.37 3.86	—	55640-20201LF

‡ Cut Tape

† For Tape and Reel part number, change 1-ND to 2-ND.

SCA-2 Connector System



The SCA2 (Single Connect Attachment) connector system consists of plugs and receptacles designed to meet the industry's requirement for standard drive to backpanel interface in RAID (Redundant Array of Independent Disks) and Fibre Channel applications. The plug resides in the disk drive, while the receptacle is on the backpanel. The interface is governed by the Small Form Factor (SFF) standard. **Features:** • High reliability blade-on-beam contact design • Alignment features provide blind mating • First-Mate-Last-Break (FMLB) contacts in accordance with SFF standards pattern **Operating Performance:** • Temperature Range: -55°C - 105°C **Electrical Performance:** • Insulation Resistance: 1000M • Dielectric Withstand: 500V • Current Rating: 1.0A/contact • Contact Resistance: 15mΩ • Mating cycles: 500 **Materials:** **Receptacle:** • Housing: High temperature nylon (UL 94 V-0) • Color: Black • Contact: Phosphor bronze • Contact Plating: Au over Ni; Sn over Ni tails **Plug:** • Housing: LCP (UL94V-0) • Color: Black • Contact: Phosphor bronze • Contact Plating: Au over Ni; Sn over Ni tails

Fig.	No. of Positions	Dimensions - Inch (mm)	Digi-Key Part No.	Price Each	Tape and Reel†	FCI Part No.
		A B		1 25 100	Qty. Pricing	
Plug - Straddle Mount (SMT)						
1	20	1.08 (27.38) —	609-1566-ND	1.71 1.02 .90	—	72547-001LF
	20	1.08 (27.38) —	609-1567-ND	1.85 1.07 .95	—	72547-002LF
	40	1.62 (41.10) —	609-1557-ND	4.04 2.51 2.27	—	71292-002LF
	40	1.62 (41.10) —	609-1559-ND	3.05 1.90 1.72	—	71292-002LF
	80	2.62 (66.50) —	609-1556-ND	3.70 2.32 2.12	—	71292-001LF
	80	2.62 (66.50) —	609-1558-ND	3.70 2.32 2.12	—	71292-201LF
	80	2.62 (66.50) —	609-1560-ND	3.56 2.23 2.04	—	71292-203LF
Receptacle - PCB Mount						
2	80	2.72 (69.00) 0.45 (11.50)	609-1569-ND†	4.52 3.01 2.70	—	87566-001LF
	80	2.72 (69.00) 0.69 (17.50)	609-1565-ND†	4.24 2.94 2.60	—	72442-201LF
	80	2.72 (69.00) 0.69 (17.50)	609-1563-ND	5.82 3.96 3.49	—	72436-003LF

† Press fit

 Most SMT cutdown parts are available on a Digi-Reel®. For Digi-Reel part number, change 1-ND to 6-ND or CT-ND to DKR-ND. See Digi-Key® Services on page 2 for additional information.

Free shipping on orders over £50! All prices are in British pound sterling and include duties.
466 (UK091) uk.digikey.com — FREEPHONE: 0-800-587-0991 • 0-800-904-7786 — FREEFAX: 0-800-587-0992 • 0-800-904-7783