

3M Mini Serial Attached SCSI (miniSAS) Connectors



• 6 Gb/s input/output connector for server applications • Meets SFF-8086 Specification • Meets SAS Specification SAS-1.1
Physical Specifications: • Insulation Material: High Temperature Thermoplastic Flammability: UL 94V-0 Color: Black • Contact Material: Copper Alloy • Wiping Area Plating: 30µ" Gold • Solder Tails Plating: 100µ" Matte Tin • Backshell Material: Stainless Steel **Electrical Specifications:** • Current Rating: Per Contact: 0.5A • Insulation Resistance: 10³MΩ minimum • Operating Temperature: -20°C ~ 85°C

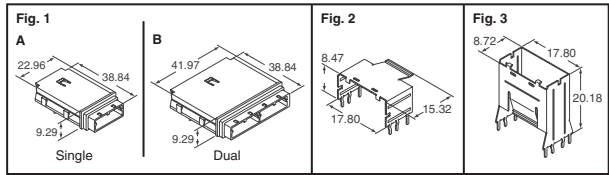


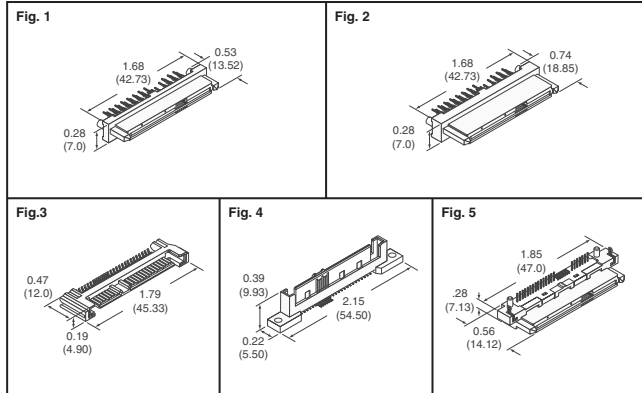
Fig.	No. of Pos.	Description	Digi-Key Part No.	Price Each			3M Part No.
				1	10	100	
Right Angle Surface Mount Receptacle/Metal EMI Cage							
—	26	Mini SAS Right Angle Connector	3M5636-ND	3.42	2.97	2.40	8A26-2030-LJ
1A	26	Single Key Shell	3M5643-ND	2.64	2.29	1.85	8C26-14000
1B	26	Dual Key Shell	3M5644-ND	3.64	3.16	2.55	8C26-24400
Right Angle Receptacle/Right Angle Shell							
—	36	Mini SAS Right Angle Connector	3M5638-ND	3.57	3.10	2.51	8A36-2030-LJ
2	36	Dual Key R/A Press Fit Shell	3M5641-ND	.70	.61	.49	8B36-2411
2	36	Dual Key R/A Thru-Hole Shell	3M5642-ND	.70	.61	.49	8B36-2421
Vertical Receptacle/Vertical Shell							
—	36	Mini SAS Vertical Connector	3M5637-ND	3.57	3.10	2.51	8A36-1030-LJ
3	36	Dual Key Vertical Press Fit Shell	3M5639-ND	.70	.61	.49	8B36-1410
3	36	Dual Key Vertical Thru-Hole Shell	3M5640-ND	.70	.61	.49	8B36-1420

A

Serial Attached SCSI (SAS) Connectors



Dimensions in Inch (mm)



• 3.0Gbps input/output connector for backplane applications
 • Two contact mating levels for early-mate and late-break allows "blind mating" or "hot swap" applications
 • Capable of accepting HDD fitted with SAS or Serial Advanced Technology Attachment (SATA) Header
 • Meets SFF-8482 Specifications
 • Meets SAS Specification, SAS-1.1

SPECIFICATIONS:
 • Material: High Temperature Thermoplastic
 • Flammability: UL 94V-0
 • Color: Black
 • Contact Material: Copper Alloy
 • Plating: Underplating: 50 - 80µ" Nickel Wiping Area: 30 - 40µ" Gold Solder Tails: 100 - 200µ" Tin
 • Current Rating: Power Pin: 1.5A
 • Operating Temperature: 0°C - 55°C

Fig.	No. Positions	Description	Digi-Key Part No.	Price Each			3M Part No.
				1	10	100	
1	29	Vertical Socket	3M5485-ND	2.28	1.92	1.74	SBR-ST-29-P-ML
2	29	Elevated Vertical Socket	3M5486-ND	2.28	1.92	1.74	SBR-EV-29-P-ML
3	29	Straddle Mount Plug	3M5487-ND	1.29	1.08	.98	SBH-ST-29-SA-ML
4	29	Standard SMT Plug	3M5488-ND	2.28	1.92	1.74	SBH-ST-29-SM-ML
5	29	Right Angle Socket	3M5489-ND	2.28	1.92	1.74	SBR-RA-29-S-ML

MetPak™ 2-FB Headers and Sockets



MetPak™ 2-FB Inverse Headers and Sockets: • 16mm to 18.5mm high-profile stacking • Footprint compatible with standard Futurebus+® • Ideal for hot swapping applications • End-to-end stackable • Mates with MP2-R Series for parallel stacking applications **MetPak 2-FB Power Headers and Sockets:** • 6.5 Amps per contact • Early mate late break (EMLB) for hot swap or selective loading options • End-to-end stackable • Futurebus+ compatible **MetPak 2-FB Headers and Sockets:** • End-to-end stackable • Early mate late break for hot swapping (header) • Meets global IEC 61076-4-104 Futurebus+ standard (socket) • Monoblockable **Specifications:** • Material: High Temperature LCP • Flammability: UL 94V-0 • Color: Beige • Current Rating: Signal: 1.5A - All contacts simultaneously (6.5A per power socket contact at 70°C for power headers and sockets) • Withstanding Voltage: 1,000VAC • Temperature Rating: -55°C - 125°C

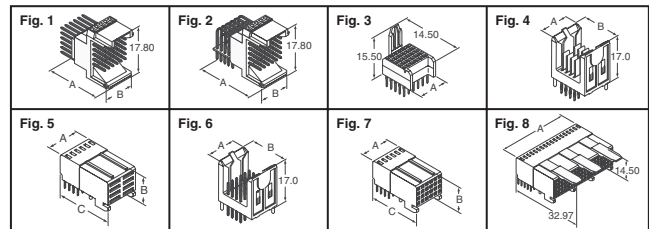


Fig.	No. of Pos.	Dimensions (mm)			Digi-Key Part No.	Price Each			3M Part No.
		A	B	C					
2-FB Inverse Headers and Sockets									
1	30	17.25	11.95	—	3M5507-ND	2.40	1.83	1.66	MP2-PS030-51S1-LR
2	30	24.8	11.95	—	3M5508-ND	2.49	1.90	1.72	MP2-P030-51M1-LR
	120	24.8	47.95	—	3M5506-ND	7.69	5.84	5.29	MP2-P120-51M1-LR
3	30	11.95	—	—	3M5509-ND	1.29	.98	.89	MP2-R030-51P1-LR
2-FB Power Headers and Sockets									
4	8	11.95	15.8	—	3M5497-ND	1.15	.88	.79	MP2-HP08-41P1-KR
	10	11.95	17.8	—	3M5498-ND	3.33	2.53	2.29	MP2-HP10-51P1-KR
5	8	11.95	11.8	21	3M5490-ND	1.15	.88	.79	MP2-SP08-41M1-LR
	10	11.95	13.8	23	3M5491-ND	1.30	.99	.90	MP2-SP10-51M1-LR
2-FB Headers and Sockets									
6	24	11.95	15.8	—	3M5499-ND	1.24	.95	.86	MP2-H024-41S1-S-LR
	30	11.95	17.8	—	3M5500-ND	1.44	1.09	.99	MP2-H030-51S1-S-LR
	24	11.95	15.8	—	3M5501-ND	1.24	.95	.86	MP2-H024-41P1-S-KR
	30	11.95	17.8	—	3M5502-ND	1.45	1.11	1.00	MP2-H030-51P1-S-KR
7	24	11.95	11.8	21	3M5492-ND	1.26	.96	.87	MP2-S024-41M1-C-LR
	30	11.95	13.8	23	3M5493-ND	1.39	1.06	.96	MP2-S030-51M1-C-LR
	90	35.95	13.8	23	3M5494-ND	3.38	2.57	2.33	MP2-S090-51M1-C-LR
	120	47.95	13.8	23	3M5495-ND	5.42	4.12	3.73	MP2-S120-51M1-C-LR
	150	59.95	13.8	23	3M5496-ND	6.81	5.18	4.69	MP2-S150-51M1-C-LR
8	90	35.95	—	—	3M5503-ND	4.95	3.77	3.41	MP2-S090G-51M1-LR
	120	47.95	—	—	3M5504-ND	5.65	4.30	3.89	MP2-S120G-51M1-LR
	150	59.95	—	—	3M5505-ND	7.10	5.40	4.88	MP2-S150G-51M1-LR

FCI SATA Connectors

Serial ATA (SATA) provides data speeds up to 3Gbps per second while utilizing a smaller number of contacts. SATA is the next generation standard interface for all mainstream storage, data, notebook, and desktop applications. SATA provides many significant advantages over the current parallel ATA standard. Improved density, along with lower voltage transmission eliminates the requirement for bulky ribbon cables. The result is much better airflow through the device utilizing this interconnect. In addition, SATA utilizes a first mate, last break contact arrangement for hot plugging capability.

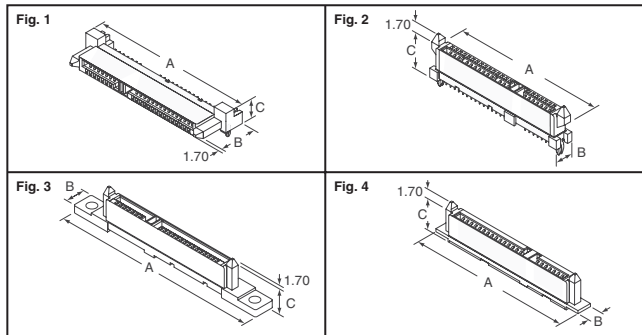


Fig.	No. of Positions	Dimensions - mm			Digi-Key Part No.	Price Each			FCI Part No.
		A	B	C					
Receptacle Right Angle SMT									
1	22	42.40	10.70	5.42	609-1028-ND	2.29	1.42	1.25	10029364-001LF
		49.00	13.00	3.50	609-1029-ND	1.63	.97	.86	10031569-001LF
		42.40	10.70	5.50	609-1035-ND	4.10	2.67	2.44	10034814-001LF
Receptacle Vertical PC Mount									
2	22	40.43	5.00	8.15	609-1030-ND	2.70	1.68	1.52	10017660-001LF
		40.43	5.00	8.15	609-1031-ND	6.91	3.76	3.36	10017660-002LF
		40.43	5.00	8.15	609-1032-ND	3.26	1.77	1.59	10022676-001LF
		40.43	5.00	8.15	609-1033-ND	4.22	2.29	2.05	10022676-002LF
Receptacle Vertical SMT									
3	22	45.75	5.50	8.15	609-1034-ND	2.39	1.30	1.17	10029065-001LF
		55.77	5.50	8.15	609-1036-ND	4.01	2.60	2.38	10045103-001LF
Cable Receptacle Vertical PC Mount									
4	22	43.50	3.80	8.15	609-1037-ND	2.22	1.37	1.19	10043820-001LF

Free shipping on orders over £50! All prices are in British pound sterling and include duties.

uk.digikey.com — FREEPHONE: 0-800-587-0991 • 0-800-904-7786 — FREEFAX: 0-800-587-0992 • 0-800-904-7783

(UK091) 459