

BNC Bulkhead Jack Connectors

75 Ohm Center Contact: Gold

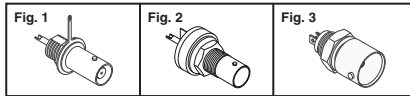


Fig.	Description	Digi-Key Part No.	Price Each 1	25	Tyco Electronics Part No.
1	Jack, Solder, Nickel	A24598-ND	3.00	2.58	221244-1
		A33815-ND◆	2.72	2.35	5221244-1
2	Jack, Sealed Solder, Nickel	A24599-ND	5.95	5.12	414217-1
		A32348-ND◆	5.47	4.70	5414217-1
3	Jack, Solder, Nickel	A97551-ND◆	2.07	1.78	5-1634504-2

◆ RoHS Compliant

Terminator Plugs 50 and 75 Ohm

Body Plating: Nickel Center Contact: Gold



Description	Resistor Specification	Digi-Key Part No.	Price Each 1	25	Tyco Electronics Part No.
With Tether	1 Watt, 50 Ohm	A24563-ND	7.30	6.28	221629-1
With Tether	1 Watt, 50 Ohm	A33818-ND◆	6.39	5.50	5221629-1
Without Tether	1 Watt, 50 Ohm	A24564-ND	5.37	4.63	221629-4
Without Tether	1 Watt, 50 Ohm	A33819-ND◆	4.72	4.06	5221629-4
With Tether	1 Watt, 75 Ohm	A24565-ND	14.05	12.09	221629-2
With Tether	1 Watt, 75 Ohm	A33820-ND◆	12.09	10.40	5221629-2
Without Tether	1 Watt, 75 Ohm	A24566-ND	8.42	7.25	221629-5
Without Tether	1 Watt, 75 Ohm	A33821-ND◆	7.26	6.25	5221629-5
With Tether	1 Watt, 50 Ohm‡	A24568-ND	7.59	6.53	1-221629-6
With Tether	1 Watt, 50 Ohm‡	A33822-ND◆	6.63	5.70	1-5221629-6

◆ RoHS Compliant ‡ Tether is conductive with #4 stud size.

A

BNC RF PC Board / Panel Mount Decoupled Jack Connectors 50 Ohm

Body Plating: VALOX, Black Center Contact: Gold Hardware not included

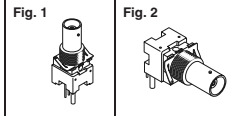


Fig.	Impedance Ohm	Mounting Post Length (Inches)	Capacity/Voltage	Digi-Key Part No.	Price Each 1	25	Tyco Electronics Part No.
Vertical — RoHS Compliant							
1	50	.137	9400pF / 1500V	A32414-ND	6.08	5.23	5413476-2
Low Profile, Right Angle							
2	50	.158	9400pF / 1500V	A32415-ND◆	4.75	4.09	5413515-2
	50	.110	7900pF / 1600V	A32416-ND◆	3.62	3.12	5413515-7
	50	.185	9400pF / 1500V	A24621-ND	2.71	2.33	413515-8
	50	.185	9400pF / 1500V	A32417-ND◆	3.11	2.68	5413515-8
	50	.110	9400pF / 1500V	A32418-ND◆	3.15	2.72	5413515-9
Standard, Right Angle							
2	50	.158	9400pF / 1500V	A32419-ND◆	3.95	3.40	5413524-2
	50	.110	9400pF / 1500V	A24625-ND	4.74	4.08	413524-5
	50	.110	9400pF / 1500V	A32420-ND◆	4.27	3.67	5413524-5

◆ RoHS Compliant

Twin BNC and Twin-Ax Jack Connectors

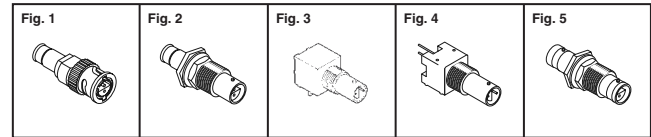


Fig.	Description	Cable Group RG/U	Digi-Key Part No.	Price Each 1	25	Tyco Electronics Part No.
1	Plug, Silver‡	108, 108A, Belden 9272, 89272	A24705-ND	20.35	17.50	332225
	Plug, Silver‡		A33824-ND◆	18.35	15.79	5332225
	Plug, Nickel‡		A24706-ND	15.75	13.55	332225-5
	Plug, Nickel‡		A33825-ND◆	14.51	12.48	5332225-5
2	Bulkhead Jack, Silver‡	108, 108A, Belden 9272, 89272	A24707-ND	23.92	20.58	332342
	Bulkhead Jack, Silver‡		A33826-ND◆	21.56	18.55	5332342
3	Right-Angle Jack w/Mounting Posts, VALOX, White	—	A24708-ND‡	10.02	8.62	228686-1
	Right-Angle Jack w/Mounting Posts, VALOX, White		A32412-ND◆†	9.22	7.93	528686-1
4	Vertical Jack w/Mounting Posts, VALOX, White	—	A24709-ND‡	13.79	11.87	221198-1
	Vertical Jack w/Mounting Posts, VALOX, White		A32413-ND◆†	12.45	10.71	5221198-1
5	Bulkhead Jack Adapter, Nickel (Center Contact: Silver)	—	A24710-ND	23.69	20.37	332215
	Bulkhead Jack Adapter, Nickel (Center Contact: Silver)		A33827-ND◆	20.33	17.49	5332215

◆ RoHS Compliant ‡ Center contact: Silver † Hardware not included

Mini BNC Connectors 75 Ohm

Features: • Offer 40% more interconnects than standard BNC connectors in the same area • Ideal for telecommunications and broadband applications Materials: • Brass/nickel shells, bodies and mounting nuts • Phosphor bronze and brass/gold center contacts Specifications: • Dielectrics: PTFE • Frequency: DC 2GHz • Nominal Impedance: 75Ω • Voltage Rating: 300V • Temperature Rating: -40°C - 85°C



Dimensions in Inches (mm)

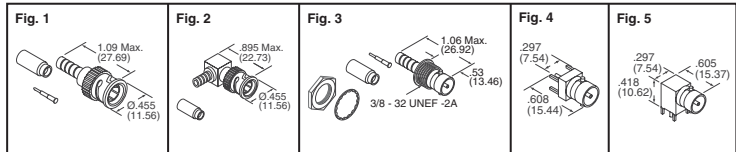


Fig.	Description	Cable Group RG/U	Digi-Key Part No.	Price Each 1	100	Tyco Electronics Part No.
1	Straight Cable Plug	735A	A30530-ND	8.49	5.78	1274563-1
		734A	A30531-ND	8.35	5.68	1274563-2
		RG 179	A30532-ND	8.35	5.68	1274563-3
2	Right Angle Cable Plug	735A	A30533-ND	9.44	6.42	1274566-1
		734A	A30534-ND	9.29	6.32	1274566-2
		RG 179	A30535-ND	9.29	6.32	1274566-3
3	Bulkhead Cable Jack	735A	A30536-ND	6.08	4.14	1274568-1
		734A	A30537-ND	5.95	4.05	1274568-2
		RG 179	A30538-ND	6.78	4.62	1274568-3
4	Straight Jack Receptacle	—	A30539-ND	4.32	2.94	1274571-1
5	Right Angle Jack Receptacle	—	A30540-ND	6.77	4.61	1274572-1
Die Set for 735A/RG179, use with A9996-ND		—	A9993-ND	30.49	—	58425-2
Die Set for 734A, use with A9996-ND		—	A9992-ND	30.49	—	58425-1

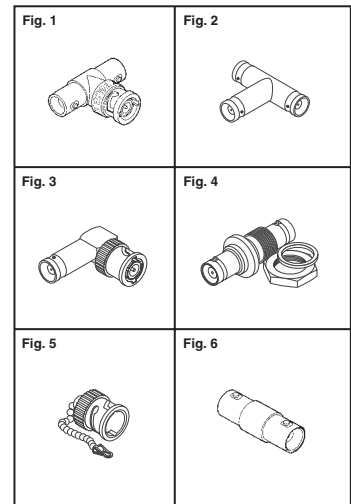
BNC Adapters 50 Ohm

Fig.	Description	Body Material and Plating	Center Contact Material and Plating	Digi-Key Part No.	Price Each 1	25	Tyco Electronics Part No.
1	Tee, Jack-Plug-Jack	Brass, Nickel	BE CU, Gold (30µ)	A24549-ND◆	13.07	11.24	221543-2
	Tee, Jack-Plug-Jack	Zinc, Nickel	PH BR, Gold (15µ)	A24550-ND	5.83	5.02	413592-2
	Tee, Jack-Plug-Jack	Zinc, Nickel	PH BR, Gold (15µ)	A32524-ND◆	5.01	4.31	5413592-2
	Tee, Jack-Plug-Jack	Zinc, Nickel	BE CU, Gold (30µ)	A24551-ND	7.51	6.47	413592-6
	Tee, Jack-Plug-Jack	Zinc, Nickel	BE CU, Gold (30µ)	A33800-ND◆	6.46	5.56	5413592-6
	2	Tee, Jack-Jack-Jack	Brass, Nickel	BE CU, Silver (200µ)	A24553-ND◆	13.87	11.93
3	Right Angle, Jack-Plug	Nickel	Silver	A24554-ND	17.46	15.02	329517
	Right Angle, Jack-Plug	Nickel	Silver	A33801-ND◆	16.34	14.05	5329517
4	Bulkhead Jack, Jack-Jack	Nickel	Silver	A24556-ND◆	15.28	13.15	330024
	Bulkhead Jack, Jack-Jack	Nickel	Gold (50µ)	A24557-ND	6.06	5.22	228226-1
	Bulkhead Jack, Jack-Jack	Nickel	Gold (50µ)	A33802-ND◆	5.45	4.69	5228226-1
	Bulkhead Jack, Jack-Jack	Nickel	Gold (15µ)	A24558-ND	5.23	4.50	228226-3
	Bulkhead Jack, Jack-Jack	Nickel	Gold (15µ)	A33803-ND◆	4.49	3.86	5228226-3
5	Jack Covers	Silver	—	A24559-ND◆	5.34	4.59	330022
	Feed-Thru, Jack-Jack	Nickel	Silver	A24560-ND◆	6.43	5.53	221551-1
	Feed-Thru, Jack-Jack	Nickel	Gold	A24561-ND◆	6.81	5.86	221551-3
6	Feed-Thru, Jack-Jack	Nickel	Gold	A33804-ND◆	2.76	2.38	5414414-1

Zinc Die Cast — RoHS Compliant

Fig.	Description	Body Material and Plating	Center Contact Material and Plating	Digi-Key Part No.	Price Each 1	25	Tyco Electronics Part No.
1	Tee, Jack-Plug-Jack	Zinc, Nickel	Brass, Gold	A97571-ND	1.87	1.61	5-1634532-1
2	Tee, Jack-Jack-Jack	Zinc, Nickel	Phosphor Bronze, Gold	A97572-ND	2.36	2.03	5-1634535-1
3	Right Angle, Jack-Plug	Zinc, Nickel	Phosphor Bronze, Gold	A97568-ND	2.83	2.44	5-1634526-1
4	Bulkhead Jack, Jack-Jack	Zinc, Nickel	Phosphor Bronze, Gold	A97547-ND†	2.11	1.82	5-1634530-1
6	Straight, Jack-Jack	Zinc, Nickel	Phosphor Bronze, Gold	A97575-ND	1.58	1.36	5-1634534-1

◆ RoHS Compliant † Recommended nut (A97566-ND) and lockwasher (A97567-ND).



Free shipping on orders over £50! All prices are in British pound sterling and include duties.

uk.digikey.com — FREEPHONE: 0-800-587-0991 • 0-800-904-7786 — FREEFAX: 0-800-587-0992 • 0-800-904-7783



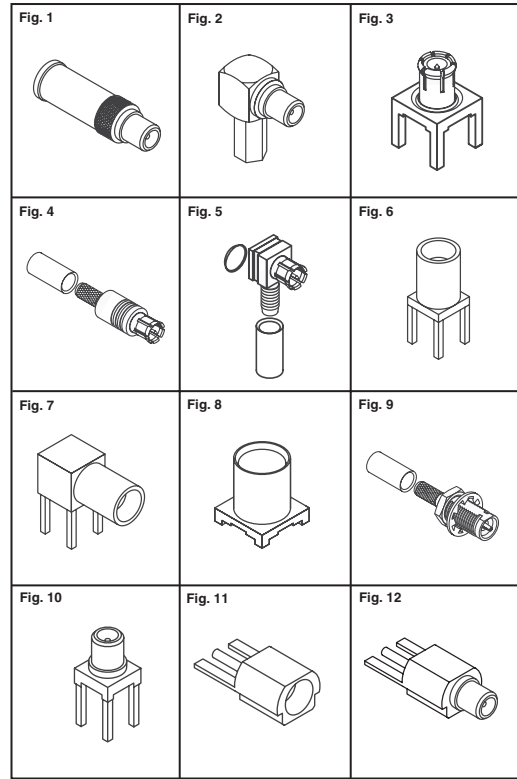
MCX Connectors

A

Fig.	Description	Digi-Key Part No.	1	Pricing 25	50	Tyco Electronics Part No.
Connector Plugs						
1	Straight Cable Plug, 50Ω - RD 316	A98536-ND	5.23	112.38	198.63	1060875-1
	Straight Cable Plug, 50Ω - RD 316	A98537-ND	5.50	118.24	208.98	1060875-2
2	Right Angle Cable Plug, Crimp, RG 316	A98538-ND	4.20	90.14	159.32	1363301-1
3	Straight Plug Receptacle, 50Ω	A98541-ND	4.39	94.44	166.91	1061015-1
4	Straight Cable Plug, 75Ω - RG 179	A98548-ND	9.58	206.04	364.16	1362990-1
5	Right Angle Cable Plug, 75Ω - RG 179	A98549-ND	5.58	119.80	211.74	1362991-1
Connector Jack Receptacles						
6	Straight Jack, 50Ω, Nickel	A98542-ND	2.03	43.71	77.25	1060985-1
	Straight Jack, 50Ω, Gold	A98543-ND	2.90	62.44	110.35	1060984-1
	Straight Jack, 50Ω, Nickel	A98544-ND	2.05	44.10	77.94	1060989-1
	Straight Jack, 50Ω, Gold	A98545-ND	2.60	55.80	98.63	1060995-1
7	Right Angle Jack, 50Ω, Nickel	A98546-ND	7.01	150.63	266.22	1061023-1
	Right Angle Jack, 50Ω, Gold	A98547-ND	4.74	101.85	180.01	1061022-1
8	Printed Circuit Board Receptacle	A98535-ND	3.14	67.51	119.32	1361169-1
9	Bulkhead Cable Jack	A98539-ND	7.01	150.63	266.22	1060883-1

MMCX Connectors

Fig.	Description	Digi-Key Part No.	1	Pricing 25	50	Tyco Electronics Part No.
Semi-Rigid Cable - Direct Solder Attachment						
1	Straight Cable Plug - RG 405	A30732-ND	5.14	110.43	195.19	1408313-1
2	Right Angle Cable Plug - RG 405	A30733-ND	6.12	131.51	232.43	1408314-1
Flexible Cable - Crimp Attachment						
1	Straight Cable Plug - RG 178, 196	A30734-ND	5.14	110.43	195.19	1408148-1
	Straight Cable Plug - RG 174, 188, 316	A30735-ND	5.14	110.43	195.19	1408312-1
	Straight Cable Plug - RD 316	A30736-ND	5.14	110.43	195.19	1408312-2
2	Right Angle Cable Plug - RG 178, 196	A30737-ND	6.12	131.51	232.43	1408149-1
	Right Angle Cable Plug - RG 174, 188, 316	A30738-ND	6.12	131.51	232.43	1408149-2
	Right Angle Cable Plug - RD 316	A30739-ND	6.12	131.51	232.43	1408149-3
Printed Circuit Board						
6	Straight Jack Receptacle	A30740-ND	5.25	112.78	199.32	1408150-1
7	Right Angle Jack Receptacle	A30741-ND	6.37	136.97	242.08	1408151-1
10	Straight Plug Receptacle	A30742-ND	6.10	131.12	231.74	1408496-1
Edge Mount						
11	Straight Jack Receptacle	A30743-ND	6.23	133.85	236.57	1408152-1
12	Straight Plug Receptacle	A30744-ND	7.97	171.31	302.78	1408120-1
Crimp Tool						
—	Die Set to use with A9996-ND	A30731-ND	192.48	—	—	1583696-1
—	Pro-Crimper Hand Tool	A9996-ND	47.92	—	—	354940-1



Between Series Adapters

Shell (Body) Finish: Gold



Description	Contact Finish	Digi-Key Part No.	1	Price Each 50	100	Tyco Electronics Part No.
SMA Plug to N Jack	Copper	A34406-ND	51.64	39.25	35.12	1057381-1
SMA Plug to N Plug	Copper	A34410-ND	132.69	100.84	90.23	1057367-1
SMA Jack to SMB Jack	Copper	A34424-ND	37.61	28.58	25.58	1060487-1
SMA Jack to N Jack	Copper	A34409-ND	104.55	79.46	71.09	1057341-1
SMA Jack to N Jack	Copper	A34415-ND†	64.05	48.68	43.56	1058651-1
SMA Jack to N Jack Square Flange	Copper	A34419-ND	80.61	61.26	54.82	1058653-1
SMA Jack to N Jack Bulkhead	Brass	A34411-ND	66.68	50.68	45.34	1057463-1
SMA Jack to N Jack Bulkhead	Copper	A34412-ND	85.74	65.17	58.31	1058675-1
SMA Jack to OSP Plug Bulkhead	Copper	A34403-ND	126.65	96.26	86.13	1059756-1
SMA Jack to OSP Jack Panel	Copper	A34407-ND	64.85	49.29	44.10	1059731-1
SMA Jack to OSP Jack Panel	Copper	A34422-ND	56.92	43.26	38.71	1059724-1
SMA Jack to OSP Jack Bulkhead	Copper	A34430-ND	46.63	35.44	31.71	1059729-1
SMA Jack to OSP Jack Bulkhead	Copper	A34431-ND	61.19	46.50	41.61	1059733-1
SMA Jack to OSSP Jack	Copper	A34432-ND	83.33	63.33	56.67	1059928-1
SMA Jack to OSP Plug	Copper	A34420-ND	23.76	18.06	16.16	1059716-1
SMA Jack to OSSM Plug	Copper	A34417-ND	31.02	23.58	21.10	1053770-1

Description	Contact Finish	Digi-Key Part No.	1	Price Each 50	100	Tyco Electronics Part No.
SMA Jack to OSMT Jack	Copper	A34423-ND	78.48	59.65	53.37	1055694-1
SMA Jack to SMC Jack	Copper	A34436-ND	36.59	27.81	24.89	1060266-1
SMA Jack to TNC Jack Square Flange	Copper	A34427-ND†	89.14	67.75	60.62	1058755-1
SMA Jack to TNC Jack Bulkhead	Copper	A34428-ND	144.87	110.11	98.52	1058800-1
SMA Jack to TNC Jack Bulkhead	Copper	A34438-ND	144.79	110.04	98.46	1059172-1
SMB Plug to BNC Jack	Copper	A34433-ND	83.56	63.50	56.82	1058077-1
SMB Plug to SMA Jack	Copper	A34414-ND	71.02	53.98	48.29	1060498-1
SMC Plug to SMA Jack	Copper	A34429-ND	40.91	31.10	27.82	1060272-1
BNC Jack to SMA Jack	Copper	A34418-ND	68.68	52.19	46.70	1058058-1
BNC Jack to SMA Jack Bulkhead	Copper	A34402-ND	57.58	43.76	39.15	1058117-1
BNC Jack to SMA Plug	Copper	A34404-ND	35.51	26.99	24.15	1058083-1
BNC Plug to N Jack	Brass	A34435-ND	94.67	71.95	64.38	1057392-1
BNC Plug to SMA Jack	Copper	A34405-ND	68.29	51.90	46.44	1058081-1
TNC Jack to SMA Jack Square Flange	Copper	A34408-ND	56.59	43.01	38.49	1057841-1
TNC Jack to SMA Jack Bulkhead	Copper	A34416-ND	97.38	74.01	66.22	1057908-1
TNC Plug to SMA Jack	Copper	A34413-ND	38.17	29.01	25.96	1057853-1
N Plug to SMA Jack	Copper	A34400-ND	52.23	39.70	35.52	1057377-1
N Jack to SMA Jack Square Flange	Copper	A34401-ND	78.30	59.51	53.25	1057343-1
N Jack to SMA Plug	Copper	A34421-ND†	73.67	55.99	50.10	1058664-1
N Jack to TNC Plug	Copper	A34425-ND†	89.37	67.93	60.78	1058671-1
N Jack to SMA Plug Square Flange	Copper	A34426-ND	61.59	46.81	41.88	1057385-1
N Plug to BNC Jack	Brass	A34434-ND	71.62	54.44	48.71	1057390-1
N Plug to TNC Plug	Brass	A34437-ND†	79.66	60.55	54.17	1058662-1

† High Frequency

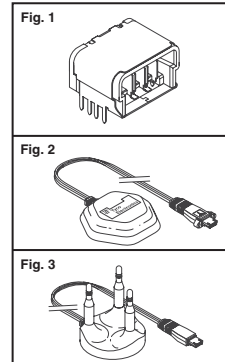
QSL Cables and Antennas

Features: • Low profile • Highly reliable ruggedized interface • Surface mount technology • Excellent price-to-performance ratio **Applications:** • Replacements for SMA, BNC and other RF connectors • Mobile antenna/GPS/Radio systems • PDA/PCS/Handheld applications • Wireless communications systems • Satellite communications, broadcast, multimedia • Automotive telematics • WiFi, WiMax antenna mobility and communications • Broadcast/set top box and integration media • PCIe and WNIC cards



Fig.	Description	Digi-Key Part No.	1	Pricing 25	50	Digi-Key Part No.	T & R Pricing 270	Tyco Electronics Part No.
PCB Receptacles								
1	Three port QSL without Flange	A99115CT-ND†	9.32	200.34	354.09	A99115TR-ND	1509.55	2016032-1
	Three port QSL with Flange	A99116CT-ND†	9.32	200.34	354.09	A99116TR-ND	1509.55	1274824-2
Test Boards								
—	Test Board with Receptacle, QSL to SMA	A99117-ND	79.33	1705.56	3014.48	—	—	1513743-1
—	Test Board with Receptacle, QSL to UMCC	A99118-ND	29.73	639.17	1129.69	—	—	2016008-1
—	Test Dongle, QSL to SMA	A99119-ND	39.57	850.69	1503.55	—	—	2032605-1
QSL Cable Assembly								
—	Three Port Jumper Plug	A99120-ND	6.23	133.85	236.57	—	—	2015518-1
—	Three Port Pigtail Plug	A99121-ND	6.13	131.90	233.12	—	—	2053075-1
QSL Antenna Assembly								
2	802.11a/b/g/n and WiMax without Flange	A99130-ND	17.61	378.52	669.01	—	—	1513711-1
3	802.11a/b/g/n and WiMax with Flange	A99131-ND	18.51	398.03	703.49	—	—	1513712-1
—	MIMO 802.11a/b/g/n	A99132-ND	19.26	414.03	731.77	—	—	1513837-1

† Cut Tape



Free shipping on orders over £50! All prices are in British pound sterling and include duties.