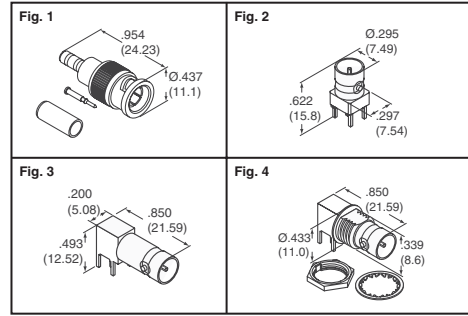


Mini BNC Connectors

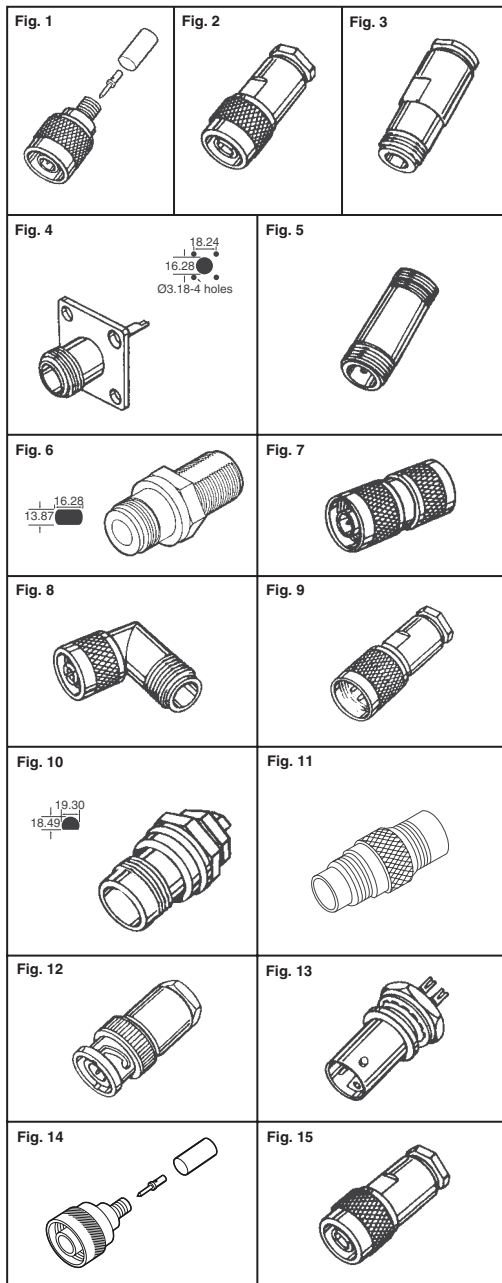
Dimensions Inch (mm)

The Mini BNC series provides the same positive locking bayonet system found on the BNC and allows 40% more interconnects in the same area. **Specifications:** **Electrical:** • Impedance: 75Ω • Frequency Range: DC-4 GHz • Voltage Rating: 500v **Mechanical:** • Connector Durability: 500 cycles **Environmental:** • Temperature Range: -40°C - 85°C

Fig.	Description	Contact Plating	Body Plating	Cable Group RG/U	Digi-Key Part No.	Price Each				Amphenol Part No.
						1	10	25	100	
1	Plug (Crimp)	Gold	Nickel	735A	ARF1548-ND	5.95	4.42	3.64	3.13	031-70251
				Belden 8218	ARF1549-ND	5.95	4.42	3.64	3.13	031-70260
				RG-179/U, 187A/U	ARF1550-ND	5.95	4.42	3.64	3.13	031-70261
2	Jack, Vertical	Gold	Gold	—	ARF1551-ND	3.84	3.37	3.01	2.50	031-70250
			Nickel	—	ARF1552-ND	—	—	—	2.15	031-70249
3	Jack, R/A	Gold	Nickel	—	ARF1553-ND	6.08	4.50	3.66	3.09	031-70255
4	Jack, Bulkhead R/A			—	ARF1554-ND	6.67	4.95	4.02	3.38	031-6055



A



Type N Coaxial Connectors

Fig.	Description	Cable Group RG/U	Military Part No.	Digi-Key Part No.	Price Each			Amphenol Part No.
					1	25	100	
1	Plug (Crimp)†	8, 213	M39012/10B-0007	ARF1013-ND	12.55	5.68	5.03	82-340
	Plug (Crimp)	9, 214	—	ARF1163-ND	10.85	7.86	6.87	82-332
	Plug (Crimp)	55, 142, 223	—	ARF1164-ND	8.77	6.22	5.28	82-5370
2	Plug (Clamp)	8, 9, 144, 165, 213, 214, 216, 225	UG-21D/U	ARF1014-ND	9.56	8.67	7.23	82-202
	Plug (Clamp)	8, 9, 144, 165, 213, 214, 216, 225	UG-1185	ARF1161-ND	7.85	4.83	4.32	82-312
	Plug (Clamp)	58, 141, 142	UG-536B/U	ARF1016-ND	8.45	5.69	5.43	34025
	Plug (Clamp)	58, 141, 142	UG-536B	ARFX1016-ND*	8.55	3.01	2.56	34025-RFX
	Plug (Clamp)	Belden 9913	—	ARF1020-ND	8.92	4.30	4.01	82-202-1006
3	Plug (Clamp)	8, 9, 144, 165, 213, 214, 216, 225	UG-21D	ARFX1183-ND*	5.77	2.79	2.64	82-202-RFX
	Jack (Clamp)	8, 9, 87A, 144, 165,	UG-23B/U	ARF1021-ND	13.88	9.55	6.70	82-63
4	Panel Receptacle	—	UG-58A/U	ARF1023-ND	9.33	5.13	4.77	82-97
	Panel Receptacle	—	UG-58A	ARFX1023-ND*	4.52	2.18	2.04	82-97-RFX
	Panel Receptacle	—	UG-58	ARF1160-ND	11.16	5.37	5.13	82-24
5	Straight/Jack-Jack	—	UG-29B/U	ARF1025-ND	12.49	8.62	5.66	82-101
	Straight/Jack-Jack	—	UG-29B	ARFX1025-ND*	5.66	2.75	2.62	82-101-RFX
6	Bulkhead/Jack-Jack	—	UG-30/U	ARF1026-ND	23.14	11.17	10.63	82-66
	Straight/Plug-Plug	—	UG-57B/U	ARF1027-ND	12.10	8.34	5.48	82-100
7	Straight/Plug-Plug	—	UG-57B	ARFX1027-ND*	8.77	3.96	3.80	82-100-RFX
	Angle/Jack-Plug	—	UG-27A	ARF1028-ND	25.47	12.28	11.68	82-64

* RFX connectors
† Crimp tools are listed within the RF and RFX Connectors section.

Twinaxial Connectors

Fig.	Description	Cable Group RG/U	Military Part No.	Digi-Key Part No.	Price Each			Amphenol Part No.
					1	25	100	
9	Plug (Clamp)	AA-6076, AA-6079	—	ARFX1031-ND*	7.22	3.49	3.31	82-5589-RFX
10	Receptacle	—	—	ARFX1035-ND*	10.16	4.90	4.67	82-5590-RFX
11	Adapter/Jack-Jack	IBM 7362230	—	ARFX1036-ND*	—	4.97	—	82-5588-RFX
12	BNC Plug/Twinax - Noryl	108A	—	ARF1037-ND	11.04	5.00	4.77	31-224
	BNC Plug/Twinax - TFE	108A	—	ARF1133-ND	18.30	8.29	7.90	31-2226
13	BNC Bulkhead/Twinax - Noryl	—	—	ARF1038-ND	20.35	9.21	8.79	31-223
	BNC Bulkhead/Twinax - TFE	—	—	ARF1132-ND	18.06	8.18	7.80	31-2225

* RFX connectors

TNC Coaxial Connectors

Fig.	Description	Cable Group RG/U	Military Part No.	Digi-Key Part No.	Price Each			Amphenol Part No.
					1	25	100	
14	Plug (Quick Crimp)‡	—	—	ARF1081-ND	5.77	2.62	2.46	36825
	Plug (MIL-Crimp)	142, 223	—	ARF1135-ND	4.89	2.28	2.12	31-2373
	Plug (Crimp)‡	59, 62	M23329/4-05	ARF1084-ND	4.80	2.23	2.07	31-2368
15	Plug (Clamp)	58, 141, 142A	—	ARFX1082-ND*	2.03	1.05	.99	79875-RFX

‡ Crimp tools are listed within the RF and RFX Connectors section.

* RFX[™], is specifically designed for applications that do not require performance above 1 to 3 GHz. RFX[™] connectors are not for use in military system applications. RFX[™] connectors are generally less expensive than MIL-Spec and industry standard connectors.

Free shipping on orders over £50! All prices are in British pound sterling and include duties.

uk.digikey.com — FREEPHONE: 0-800-587-0991 • 0-800-904-7786 — FREEFAX: 0-800-587-0992 • 0-800-904-7783

(UK091) 409