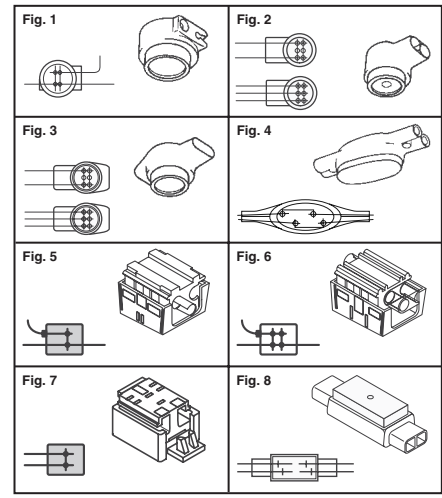


# 3M Scotchlok™ Discrete Connectors and Tools



Features: 3M™ Scotchlok™ connectors have been providing ease of use and proven high quality reliability for over 50 years. With a "U" element and IDC design, they continue to be effective for transmitting broadband services with performance up to 100MHz. They are available for butt, in-line or tap splicing of solid copper or aluminum conductors and have a wide selection of tools to meet all discrete splicing needs.

Fig.	Maximum Insulation (mm)	Wire AWG	Use Tool # (below)	Gel Filled	Wire Count	Digi-Key Part No.	Pricing			3M Part No.
							1	10	100	
1	1.67 Butt 1.12 Tap	26 - 19 Butt 26 - 22 Tap	1, 2, 3, 4, 5	Yes	2-Wire	UG20082-ND†	.36	2.68	20.07	UG(BX)*
2	1.52	26 - 22	1, 2, 3, 4, 5	Yes	2-Wire	UCC1000-ND†‡★	.24	1.79	13.38	UCC(BULK)*
	1.52	26 - 22	1, 2, 3, 4, 5	No	2-Wire	UP2000-ND★▲	.21	1.56	11.71	UP2-BULK
	1.52	26 - 22	1, 2, 3, 4, 5	No	2-Wire	UPC1000-ND‡★▲	.54	4.01	30.11	UPC(BULK)
	2.08	26 - 19	1, 2, 3, 5	Yes	2 or 3-Wire	UR2000-ND†‡	.21	1.56	11.71	UR2-BULK*
	2.08	26 - 19	1, 2, 3, 4, 5	Yes	2-Wire	UY2000-ND†‡	.18	1.34	10.03	UY2-BOX*
	2.08	26 - 19	6	No	2-Wire	UY2100-ND‡§	.15	1.13	10.08	UY2-D(CART)
3	2.08	20 - 17AL 24 - 19CU	1, 2, 3, 5	Yes	2 or 3-Wire	UAL27827-ND†	.62	4.68	35.12	UAL(BX)
	2.08	20 - 17AL 24 - 19CU	6	Yes	2 or 3-Wire	UAL27828-ND†§	—	39.11	347.61	UAL(CART)
	1.52	26 - 19	1, 2	Yes	2 or 3-Wire	UR20074-ND†	.24	1.79	13.38	UR(BX)*
4	3.18	19 - 16	5	Yes	4-Wire	U1B1000-ND†	3.05	22.87	171.52	U1B(BX)
	3.18	24 - 19	5	Yes	4-Wire	U1R20017-ND†	3.05	22.87	171.52	U1R(BX)
5	1.27	26 - 22	1, 2, 3, 4, 5	No	2-Wire	UPB1000-ND▲	.30	2.23	16.73	UPB(BULK)
	2.08	26 - 19	1, 2, 3, 4, 5	Yes	2-Wire	UB2A1000-ND†‡	.24	1.79	13.38	UB2A-BOX*
6	2.08	26 - 19	1, 2, 3, 4, 5	No	2-Wire	UB2A1100-ND▲‡	.27	2.01	15.06	UB2A-D-BOX
	2.08	26 - 19	1, 2	Yes	2-Wire	U2A1000-ND†‡	.36	2.68	20.07	211(BX)*
8	4.4	19 - 16	5	Yes	4-Wire	UDW2000-ND†	3.39	25.42	190.70	UDW2

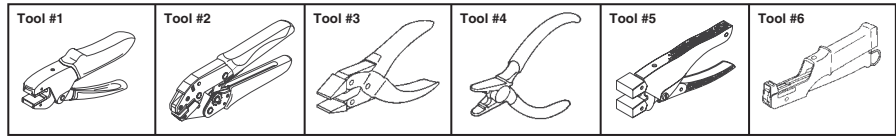


A

† Moisture Resistant ‡ Clearing Caps, No electrical connection ★ Single Element ▲ Dry/Flame Retardant ‡ Solvent Resistant ‡ Dry § UY2100-ND - 12 per carton, UAL27828-ND - 10 per carton

## Tools

Tool #	Mechanical Advantage	Digi-Key Part No.	Price Each	3M Part No.
1	10:1	E-9J-ND	31.77	E-9J
2	10:1	E-9R-ND§	71.04	E-9R
3	4:1	E-9E-ND	26.30	E-9E
4	3:1	E-9Y-ND§	21.73	E-9Y
5	10:1	E-9BM-ND	46.23	E-9BM
6	7:1	E-9C-ND	122.29	E-9C



§ Integrated Wire Cutter

## Splice Enclosures



Description	Maximum Cable Diameter — Inch (mm)	Digi-Key Part No.	Price Each		3M Part No.
			1	10	
<b>Enclosures</b>					
5-Pair Kit with Encapsulant	0.35 (8.89)	3M9045-ND	8.60	6.45	3832
6-Pair Kit with Pull N' Shrink Tubing	0.45 (11.43)	3M9046-ND	31.94	23.96	3838-PST/GEL
5-Pair Kit with Encapsulant Filled Body	0.425 (10.795)	3M9047-ND	10.56	7.92	SLIC-5-BSW
4-Pair Kit with Encapsulant	0.625 (15.875)	3M9048-ND	17.26	12.95	8981-8882/HIGHGEL
18-Pair Kit with Encapsulant	1.0 (25.4)	3M9049-ND	35.73	26.80	8982-8882/HIGHGEL
50-Pair Kit without Encapsulant	0.7, 1.2 (17.78, 30.48)	3M9050-ND	80.30	60.23	BB2X12-8882/HIGHGEL
100-Pair Kit without Encapsulant	0.7, 1.2 (17.78, 30.48)	3M9051-ND	116.06	87.05	BB2X24-8882/HIGHGEL
200-Pair Kit without Encapsulant	1.0, 1.6 (25.4, 40.64)	3M9052-ND	198.44	148.84	BB3X24-8882/HIGHGEL
<b>Accessories</b>					
Re-enterable Encapsulant 521 mL	—	3M9053-ND	10.11	7.58	8882-500C
EZ Wrap Tape 4" X 100' 3.0 MIL	—	3M9054-ND	4.54	3.41	2183
Grounding Braid 1/2" X 25'	—	3M9055-ND	45.81	34.36	25T-GB
Shield Connector with Shoe	—	3M9056-ND	1.03	.78	4462-SNA

Note: Please see Digi-Key's website for photos and specifications.



## Wire Terminals

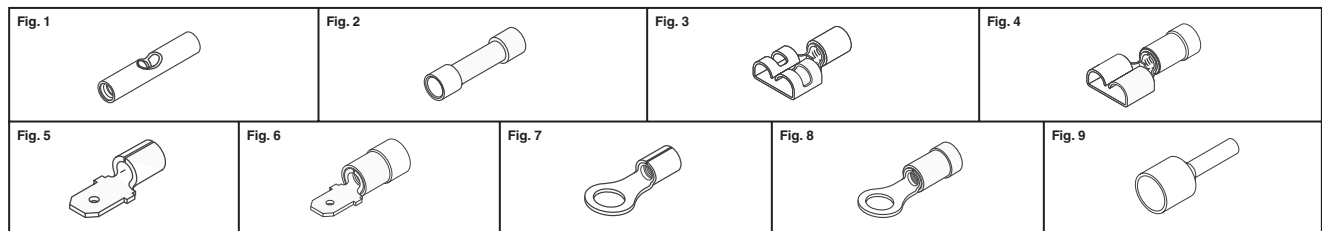


Fig.	Description	Approvals	Digi-Key Part No.	Pricing		Panduit Part No.	Digi-Key Part No.	Pricing		Panduit Part No.
				50	100			500	1,000	
<b>Butt Splices</b>										
1	Butt Splice, Non-Insulated, 12 - 10AWG	UL, CSA	298-9981-ND	21.47	—	BS10-L	298-9980-ND	82.30	—	BS10-D
	Butt Splice, Non-Insulated, 16 - 14AWG	UL, CSA	298-9982-ND	—	33.52	BS14-C	298-9983-ND	—	98.69	BS14-M
	Butt Splice, Non-Insulated, 22 - 18AWG	UL, CSA	298-9984-ND	—	32.24	BS18-C	298-9985-ND	—	103.69	BS18-M
	Butt Splice, Non-Insulated, 26 - 22AWG	—	298-9986-ND	—	39.49	BS22-C	298-9987-ND	—	105.87	BS22-M

(Continued)

Free shipping on orders over £50! All prices are in British pound sterling and include duties.

uk.digikey.com — FREEPHONE: 0-800-587-0991 • 0-800-904-7786 — FREEFAX: 0-800-587-0992 • 0-800-904-7783

(UK091) 339