

3M Terminals, Tools, Lugs and Connectors (Cont.)

A

Fig.	AWG	Stud Size	Insul. Dia. Inch (mm)	Digi-Key Part No.	Pricing			3M Part No.		
					10	50	100			
24	16-14 Blue	3/8 #6	.170 (4.32)	920010-53-ND	7.44	30.65	48.17	190.05	MH14-38RK	
25		—	—	920024-30-ND	6.83	28.11	44.19	174.34	MH14-8FLK	
26		—	—	—	920030-11-ND	6.43	23.39	41.29	169.72	MH14BCK
24	12-10 Yellow	1/4 #8	.250 (6.35)	920010-55-ND	7.09	25.82	45.56	187.31	MH10-14RK	
25		—	—	920024-34-ND	6.75	24.59	43.39	178.37	MH10-8FLK	
26		—	—	—	920024-35-ND	6.75	24.59	43.39	178.37	MH10-10FLK
27		—	—	—	920030-12-ND	8.29	30.20	53.30	219.12	MH10BCK
27		—	—	—	920042-13-ND	9.86	35.91	63.37	260.51	MNHU10-250DMIK
27	22-18	—	.250	920042-11-ND	8.20	29.89	52.75	216.86	MNHU18-250DMIK	
27	16-14	—	.250	920042-12-ND	8.20	29.89	52.75	216.86	MNHU14-250DMIK	
28	22-18	—	.250	920044-18-ND	8.20	29.89	52.75	216.86	MNHU18-250DFIK	
28	16-14	—	.250	920044-19-ND	8.20	29.89	52.75	216.86	MNHU14-250DFIK	
29	22-18	—	.250	920074-01-ND	3.19	11.62	20.50	84.28	951K	
29	18-14	—	.150 (3.81)	920074-02-ND	3.19	11.62	20.50	84.28	952K	
29	12	—	—	920074-03-ND	3.43	12.51	22.07	90.74	953K	
30	22-18	—	—	920074-06-ND	3.82	13.90	24.54	100.87	557 (BOXED)	
31	18-14	—	.120 (3.05s)	920074-07-ND	3.99	14.51	25.61	105.30	558 (BOXED)	
32	18-14 Blue	—	.145 (3.68)	920074-08-ND	2.42	8.82	15.57	64.00	560 (BOXED)	
923000-I-ND				3M Insulated Terminal Kit — 650 assorted terminals (14 sizes), 200 cable ties (100 each, 2 sizes), one wire marker dispenser, one crimping tool, one reusable metal box, one reordering information card.....				162.75		

Connectors and Crimp Tools

Fig.	AWG	Description	Color	Digi-Key Part No.	Pricing			3M Part No.	
					10	50	100		
Scotchlok™ Connectors									
35	18-10	End Electrical	Clear	920030-14-ND	2.61	9.52	16.79	69.04	MN10CEC/STK
35	14-8	—	Gray	920090-01-ND	5.23	19.08	33.66	138.40	G-BULK
35	22-10	Nylon Spring Connector	Yellow	920074-04-ND	1.42	5.15	9.10	37.40	312-BULK
35	20-8	—	Red	920074-05-ND	1.86	6.77	11.94	49.11	512-BULK
36	12-8	Spring Connector	Blue/Green	920090-04-ND	6.04	22.01	38.85	159.70	B/G+BOX
36	22-12		Orange/Blue	920090-05-ND	1.56	5.68	10.03	41.24	O/B+BOX
36	18-8		Red/Yellow	920090-06-ND	2.48	9.03	15.94	65.54	R/Y+BOX
36	22-8	—	Tan/Red	920090-07-ND	2.14	7.80	13.76	56.55	T/R+BOX
Crimp Tools									
—	22-10	Ratcheting	—	TR-482-ND	189.55/1			TR-482	
37	26-6	Scissor Style	—	TH-450-ND	45.03/1			TH-450	
—	22-10	Ratcheting	—	TR-490-ND	157.96/1			TR-490	

◆ RoHS Compliant

Terminals

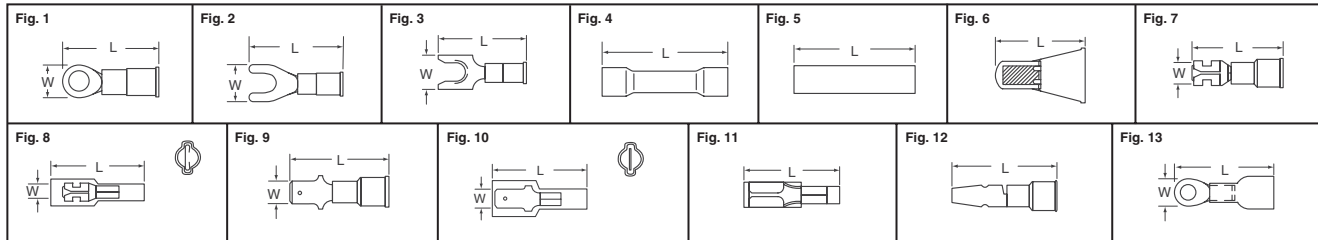


Fig.	AWG	Stud Size	Dim. - Inch		Digi-Key Part No.	Pricing			3M Part No.	
			L	W		10	50	100		
Vinyl Insulated Butted Seam Ring Tongue Terminals										
1	22-18 Red	#6	0.80	0.25	94725-01-ND	1.23	4.47	7.89	32.44	94725
		#8	0.90	0.33	94727-01-ND	1.23	4.47	7.89	32.44	94727
		#10	0.90	0.33	94717-01-ND	1.23	4.47	7.89	32.44	94717
		1/4	1.08	0.47	94719-01-ND	1.47	5.33	9.41	38.68	94719
	16-14 Blue	#6	0.90	0.33	94736-01-ND	1.23	4.47	7.89	32.44	94736
		#8	0.90	0.33	94739-01-ND	1.23	4.47	7.89	32.44	94739
		#10	0.90	0.33	94729-01-ND	1.23	4.47	7.89	32.44	94729
		1/4	1.08	0.47	94731-01-ND	1.47	5.33	9.41	38.68	94731
	12-10 Yellow	5/16	1.08	0.47	94735-01-ND	1.74	6.33	11.17	45.93	94735
		3/8	1.13	0.56	94733-01-ND	1.74	6.33	11.17	45.93	94733
		#6	0.98	0.28	94751-01-ND	1.51	5.50	9.71	39.89	94751
		#8	1.03	0.38	94753-01-ND	1.63	5.95	10.49	43.12	94753
Nylon Insulated with Insulation Grip Ring Tongue Terminals — RoHS Compliant										
1	28-18 Red	#6	0.79	0.25	94724-01-ND	1.87	6.81	12.02	49.43	94724
		#8	0.89	0.33	94726-01-ND	1.87	6.81	12.02	49.43	94726
	16-14 Blue	#10	0.89	0.33	94728-01-ND	1.87	6.81	12.02	49.43	94728
		5/16	1.09	0.47	94734-01-ND	2.02	7.36	12.99	53.39	94734
		3/8	1.14	0.56	94732-01-ND	2.27	8.25	14.56	59.84	94732
		8 Red	1/4	1.26	0.47	94754-01-ND	6.03	21.95	38.75	159.29
1	6 Blue	3/8	1.58	0.63	94759-01-ND	5.84	21.29	37.57	154.46	94759
		4	3/8	1.74	0.68	94763-01-ND	9.79	43.81	72.16	283.50
	Yellow	1/2	1.74	0.68	94764-01-ND	10.38	46.43	76.48	300.48	94764
		22-18 Red	#6	0.90	0.34	94769-01-ND	1.18	4.32	7.63	31.36
Vinyl Insulated Butted Seam Fork Terminals										
2	16-14 Blue	#6	0.90	0.34	94771-01-ND	1.18	4.32	7.63	31.36	94771
		#8	0.90	0.34	94775-01-ND	1.18	4.32	7.63	31.36	94775
	12-10 Yellow	#6	0.90	0.34	94777-01-ND	1.18	4.32	7.63	31.36	94777
		#8	0.90	0.34	94773-01-ND	1.18	4.32	7.63	31.36	94773
Vinyl Insulated Butted Seam Locking Fork Terminals										
3	22-18 Red	#6	0.88	0.25	94865-01-ND	1.29	4.68	8.25	33.91	94865
		#8	0.87	0.30	94867-01-ND	1.29	4.68	8.25	33.91	94867
	16-14 Blue	#6	0.88	0.25	94873-01-ND	1.29	4.68	8.25	33.91	94873
		#8	0.88	0.30	94875-01-ND	1.29	4.68	8.25	33.91	94875
Nylon Insulated with Insulation Grip Locking Fork Terminals — RoHS Compliant										
3	22-18 Red	#6	0.87	0.25	94864-01-ND	1.97	7.16	12.63	51.91	94864
		#8	0.87	0.30	94866-01-ND	1.97	7.16	12.63	51.91	94866
	16-14 Blue	#8	0.89	0.30	94874-01-ND	1.71	6.22	10.98	45.13	94874
Vinyl Insulated Butted Seam Butt Connectors										
4	22-18 Red	—	1.02	—	94785-01-ND	1.29	4.68	8.25	33.91	94785
		16-14 Blue	—	1.02	—	94788-01-ND	1.29	4.68	8.25	33.91
	12-10 Yellow	—	1.05	—	94791-01-ND	1.60	5.82	10.26	42.17	94791
Vinyl Insulated Brazed Seam Butt Connectors — RoHS Compliant										
4	8 Red	—	1.43	—	94793-01-ND	5.09	18.55	32.74	134.58	94793
Nylon Insulated with Insulation Grip Butt Connectors — RoHS Compliant										
4	22-18 Red	—	1.01	—	94784-01-ND	3.70	13.47	23.78	97.78	94784
Nylon Insulated Seamless Butt Connectors — RoHS Compliant										
5	22-18 Red	—	1.02	—	94786-01-ND	1.82	6.64	11.73	48.22	94786

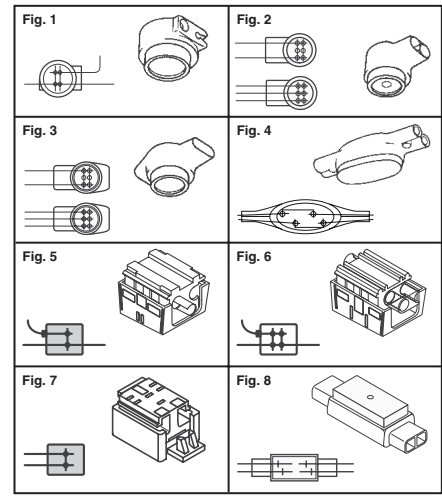
Fig.	AWG	Stud Size	Dim. - Inch		Digi-Key Part No.	Pricing			3M Part No.		
			L	W		10	50	100			
5	16-14 Blue	—	—	1.02	—	94789-01-ND	1.82	6.64	11.73	48.22	94789
		12-10 Yellow	—	—	—	94792-01-ND	2.33	8.48	14.96	61.51	94792
Nylon Insulated Closed End Connectors — RoHS Compliant											
6	22-18 Red	—	0.83	—	722-N-A-ND	1.06	3.86	6.82	28.05	722-N-A	
		18-10	—	0.85	—	94796-01-ND	1.44	5.26	9.28	38.14	94796
Vinyl Insulated Butted Seam Female Disconnects											
7	22-18 Red	—	0.78	0.187	94800-01-ND	1.29	4.68	8.25	33.91	94800	
		—	0.87	0.250	94804-01-ND	1.29	4.68	8.25	33.91	94804	
		16-14 Blue	—	0.87	0.250	94821-01-ND	1.29	4.68	8.25	33.91	94821
Nylon Insulated with Insulation Grip Female Disconnects — RoHS Compliant											
7	22-18 Red	—	0.77	0.187	94797-01-ND	1.93	7.03	12.40	50.97	94797	
		—	0.86	0.250	94801-01-ND	1.93	7.03	12.40	50.97	94801	
		16-14 Blue	—	0.86	0.250	94818-01-ND	1.93	7.03	12.40	50.97	94818
Fully Nylon Insulated Butted Seam Female Disconnects — RoHS Compliant											
8	22-18 Red	—	0.81	0.187	94799-01-ND	2.10	7.64	13.47	55.40	94799	
		—	0.91	0.250	94803-01-ND	1.93	7.03	12.40	50.97	94803	
	16-14 Blue	—	0.81	0.187	94816-01-ND	2.10	7.64	13.47	55.40	94816	
		—	0.91	0.250	94820-01-ND	1.93	7.03	12.40	50.97	94820	
12-10 Yellow	—	0.99	0.250	94832-01-ND	2.37	8.65	15.26	62.73	94832		
Vinyl Insulated Butted Seam Male Disconnects											
9	22-18 Red	—	0.85	0.187	94808-01-ND	1.29	4.68	8.25	33.91	94808	
		—	0.93	0.250	94812-01-ND	1.29	4.68	8.25	33.91	94812	
		16-14 Blue	—	0.93	0.250	94829-01-ND	1.29	4.68	8.25	33.91	94829
12-10 Yellow	—	1.05	0.250	94837-01-ND	1.41	5.13	9.05	37.21	94837		
Nylon Insulated with Insulation Grip Male Disconnects — RoHS Compliant											
9	22-18 Red	—	0.84	0.187	94805-01-ND	1.93	7.03	12.40	50.97	94805	
		—	0.92	0.250	94809-01-ND	1.93	7.03	12.40	50.97	94809	
		16-14 Blue	—	0.86	0.187	94822-01-ND	1.68	6.11	10.78	44.32	94822
—	0.94	0.250	94826-01-ND	1.68	6.11	10.78	44.32	94826			
Fully Nylon Insulated Butted Seam Male Disconnects — RoHS Compliant											
10	22-18 Red	—	0.87	0.187	94807-01-ND	2.10	7.64	13.47	55.40	94807	
		—	0.98	0.250	94811-01-ND	1.93	7.03	12.40	50.97	94811	
	16-14 Blue	—	0.98	0.250	94828-01-ND	1.93	7.03	12			

3M Scotchlok™ Discrete Connectors and Tools



Features: 3M™ Scotchlok™ connectors have been providing ease of use and proven high quality reliability for over 50 years. With a "U" element and IDC design, they continue to be effective for transmitting broadband services with performance up to 100MHz. They are available for butt, in-line or tap splicing of solid copper or aluminum conductors and have a wide selection of tools to meet all discrete splicing needs.

Fig.	Maximum Insulation (mm)	Wire AWG	Use Tool # (below)	Gel Filled	Wire Count	Digi-Key Part No.	Pricing			3M Part No.
							1	10	100	
1	1.67 Butt 1.12 Tap	26 - 19 Butt 26 - 22 Tap	1, 2, 3, 4, 5	Yes	2-Wire	UG20082-ND†	.36	2.68	20.07	UG(BX)*
2	1.52	26 - 22	1, 2, 3, 4, 5	Yes	2-Wire	UCC1000-ND†‡★	.24	1.79	13.38	UCC(BULK)*
	1.52	26 - 22	1, 2, 3, 4, 5	No	2-Wire	UP2000-ND★▲	.21	1.56	11.71	UP2-BULK
	1.52	26 - 22	1, 2, 3, 4, 5	No	2-Wire	UPC1000-ND‡★▲	.54	4.01	30.11	UPC(BULK)
	2.08	26 - 19	1, 2, 3, 5	Yes	2 or 3-Wire	UR2000-ND†‡	.21	1.56	11.71	UR2-BULK*
	2.08	26 - 19	1, 2, 3, 4, 5	Yes	2-Wire	UY2000-ND†‡	.18	1.34	10.03	UY2-BOX*
	2.08	26 - 19	6	No	2-Wire	UY2100-ND‡Δ§	.15	1.13	10.08	UY2-D(CART)
3	2.08	20 - 17AL 24 - 19CU	1, 2, 3, 5	Yes	2 or 3-Wire	UAL27827-ND†	.62	4.68	35.12	UAL(BX)
	2.08	20 - 17AL 24 - 19CU	6	Yes	2 or 3-Wire	UAL27828-ND†§	—	39.11	347.61	UAL(CART)
	1.52	26 - 19	1, 2	Yes	2 or 3-Wire	UR20074-ND†	.24	1.79	13.38	UR(BX)*
4	3.18	19 - 16	5	Yes	4-Wire	U1B1000-ND†	3.05	22.87	171.52	U1B(BX)
	3.18	24 - 19	5	Yes	4-Wire	U1R20017-ND†	3.05	22.87	171.52	U1R(BX)
5	1.27	26 - 22	1, 2, 3, 4, 5	No	2-Wire	UPB1000-ND▲	.30	2.23	16.73	UPB(BULK)
	2.08	26 - 19	1, 2, 3, 4, 5	Yes	2-Wire	UB2A1000-ND†‡	.24	1.79	13.38	UB2A-BOX*
6	2.08	26 - 19	1, 2, 3, 4, 5	No	2-Wire	UB2A1100-ND▲‡	.27	2.01	15.06	UB2A-D-BOX
	2.08	26 - 19	1, 2	Yes	2-Wire	U2A1000-ND†‡	.36	2.68	20.07	211(BX)*
8	4.4	19 - 16	5	Yes	4-Wire	UDW2000-ND†	3.39	25.42	190.70	UDW2

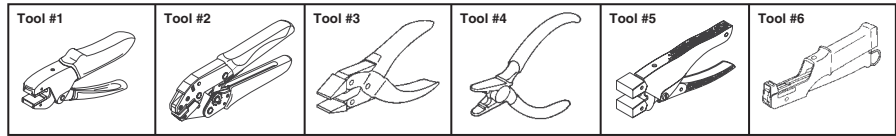


A

† Moisture Resistant ‡ Clearing Caps, No electrical connection ★ Single Element ▲ Dry/Flame Retardant ‡ Solvent Resistant Δ Dry § UY2100-ND - 12 per carton, UAL27828-ND - 10 per carton

Tools

Tool #	Mechanical Advantage	Digi-Key Part No.	Price Each	3M Part No.
1	10:1	E-9J-ND	31.77	E-9J
2	10:1	E-9R-ND§	71.04	E-9R
3	4:1	E-9E-ND	26.30	E-9E
4	3:1	E-9Y-ND§	21.73	E-9Y
5	10:1	E-9BM-ND	46.23	E-9BM
6	7:1	E-9C-ND	122.29	E-9C



§ Integrated Wire Cutter

Splice Enclosures



Description	Maximum Cable Diameter — Inch (mm)	Digi-Key Part No.	Price Each		3M Part No.
			1	10	
Enclosures					
5-Pair Kit with Encapsulant	0.35 (8.89)	3M9045-ND	8.60	6.45	3832
6-Pair Kit with Pull N' Shrink Tubing	0.45 (11.43)	3M9046-ND	31.94	23.96	3838-PST/GEL
5-Pair Kit with Encapsulant Filled Body	0.425 (10.795)	3M9047-ND	10.56	7.92	SLIC-5-BSW
4-Pair Kit with Encapsulant	0.625 (15.875)	3M9048-ND	17.26	12.95	8981-8882/HIGHGEL
18-Pair Kit with Encapsulant	1.0 (25.4)	3M9049-ND	35.73	26.80	8982-8882/HIGHGEL
50-Pair Kit without Encapsulant	0.7, 1.2 (17.78, 30.48)	3M9050-ND	80.30	60.23	BB2X12-8882/HIGHGEL
100-Pair Kit without Encapsulant	0.7, 1.2 (17.78, 30.48)	3M9051-ND	116.06	87.05	BB2X24-8882/HIGHGEL
200-Pair Kit without Encapsulant	1.0, 1.6 (25.4, 40.64)	3M9052-ND	198.44	148.84	BB3X24-8882/HIGHGEL
Accessories					
Re-enterable Encapsulant 521 mL	—	3M9053-ND	10.11	7.58	8882-500C
EZ Wrap Tape 4" X 100' 3.0 MIL	—	3M9054-ND	4.54	3.41	2183
Grounding Braid 1/2" X 25'	—	3M9055-ND	45.81	34.36	25T-GB
Shield Connector with Shoe	—	3M9056-ND	1.03	.78	4462-SNA

Note: Please see Digi-Key's website for photos and specifications.



Wire Terminals

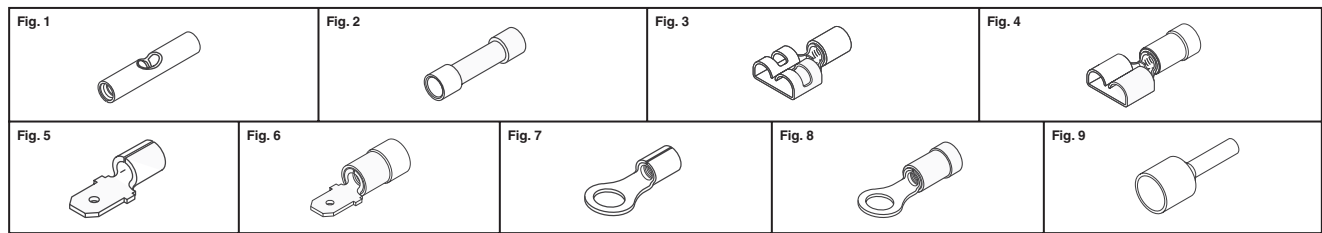


Fig.	Description	Approvals	Digi-Key Part No.	Pricing		Panduit Part No.	Digi-Key Part No.	Pricing		Panduit Part No.
				50	100			500	1,000	
Butt Splices										
1	Butt Splice, Non-Insulated, 12 - 10AWG	UL, CSA	298-9981-ND	21.47	—	BS10-L	298-9980-ND	82.30	—	BS10-D
	Butt Splice, Non-Insulated, 16 - 14AWG	UL, CSA	298-9982-ND	—	33.52	BS14-C	298-9983-ND	—	98.69	BS14-M
	Butt Splice, Non-Insulated, 22 - 18AWG	UL, CSA	298-9984-ND	—	32.24	BS18-C	298-9985-ND	—	103.69	BS18-M
	Butt Splice, Non-Insulated, 26 - 22AWG	—	298-9986-ND	—	39.49	BS22-C	298-9987-ND	—	105.87	BS22-M

(Continued)

Free shipping on orders over £50! All prices are in British pound sterling and include duties.

uk.digikey.com — FREEPHONE: 0-800-587-0991 • 0-800-904-7786 — FREEFAX: 0-800-587-0992 • 0-800-904-7783

(UK091) 339