

A

Modular Plugs

Series	Description	Pos. - Contacts	Crimp Tool with Die	Die only	Dimensions - Inch (mm)				Digi-Key Part No.	Price Each			Stewart Part No.
					A	B	C	D		1	25	100	
<b>Unshielded Plugs (any die works with all crimp tools used for unshielded plugs)</b>													
30	Plug, Handset	4-4	380-1055-ND	380-1059-ND	.525 (13.33)	.300 (7.62)	.260 (6.60)	.485 (12.32)	380-1002-ND	.19	.18	.16	940-SP-3044
	Plug	6-2	380-1056-ND	380-1060-ND	.525 (13.33)	.380 (9.65)	.260 (6.60)	.534 (13.57)	380-1001-ND	.17	.16	.14	940-SP-3026
	Plug	6-4	380-1056-ND	380-1060-ND	.525 (13.33)	.380 (9.65)	.260 (6.60)	.534 (13.57)	380-1003-ND	.19	.18	.16	940-SP-3046
	Plug	6-6	380-1056-ND	380-1060-ND	.525 (13.33)	.260 (6.60)	.260 (6.60)	.534 (13.57)	380-1004-ND	.21	.20	.18	940-SP-3066
	Plug	8-8	380-1057-ND	380-1061-ND	.885 (22.48)	.460 (11.68)	.312 (7.92)	.622 (15.80)	380-1137-ND	.24	.23	.21	937-SP-3088
	Plug, .038" (.965mm) OD Cable	8-8	380-1057-ND	380-1061-ND	.885 (22.48)	.460 (11.68)	.312 (7.92)	.622 (15.80)	380-1005-ND	.30	.29	.26	940-SP-3088R
	Plug, .038" (.965mm) OD Cable	8-8	380-1057-ND	380-1061-ND	.885 (22.48)	.460 (11.68)	.312 (7.92)	.622 (15.80)	380-1138-ND	.24	.23	.21	937-SP-3088R
	Plug, .040" (1.02mm) OD Cable	8-8	380-1057-ND	380-1061-ND	.885 (22.48)	.460 (11.68)	.312 (7.92)	.622 (15.80)	380-1006-ND	.30	.29	.26	940-SP-3088R-A133
	Plug	10-10	380-1058-ND	380-1062-ND	.885 (22.48)	.460 (11.68)	.312 (7.92)	.622 (15.80)	380-1000-ND	.42	.40	.36	940-SP-301010R
	Plug, .038" (.968mm) OD Cable	10-10	380-1058-ND	380-1062-ND	.885 (22.48)	.460 (11.68)	.312 (7.92)	.622 (15.80)	380-1136-ND	.36	.34	.31	937-SP-301010R
37	Plug, CAT-5e	8-8	380-1057-ND	380-1061-ND	.884 (22.46)	.460 (11.68)	.312 (7.92)	.622 (15.80)	380-1008-ND	.35	.33	.30	943-SP-370808M2-A264
	Plug, CAT-5e	8-8	380-1057-ND	380-1061-ND	.885 (22.48)	.460 (11.68)	.312 (7.92)	.622 (15.80)	380-1098-ND	.30	.29	.26	SS-37000-002
39	Plug, CAT-6, Anti-Snag	8-8	380-1134-ND	380-1131-ND	1.47 (37.34)	.460 (11.68)	.312 (7.92)	—	380-1092-ND	.83	.79	.72	SS-39100-008
<b>Shielded and Specialty Plugs (require special crimp tools and die)</b>													
36	Plug	8-8	380-1133-ND‡	380-1135-ND	1.046 (26.57)	.460 (11.68)	.360 (9.14)	—	380-1007-ND	.79	.75	.68	940-SP-360808-A108
37	Plug, CAT-5e	8-8	380-1133-ND‡	380-1135-ND	.884 (22.46)	.460 (11.68)	.360 (9.14)	—	380-1009-ND	.97	.92	.84	943-SP-370808SM2A264
	Plug, CAT-5e	8-8	380-1057-ND	380-1061-ND	.897 (22.78)	.460 (11.68)	.321 (8.15)	—	380-1099-ND	.78	.73	.67	SS-37200-028
39	Plug, CAT-6a	8-8	380-1133-ND‡	380-1130-ND	.884 (22.46)	.460 (11.68)	.312 (7.92)	.622 (15.80)	380-1014-ND	1.51	1.42	1.30	SS-39100-002
	Plug, CAT-6	8-8	380-1132-ND	—	1.67 (42.4)	.540 (13.71)	.312 (7.92)	—	380-1093-ND	1.30	1.22	1.12	SS-39200-011

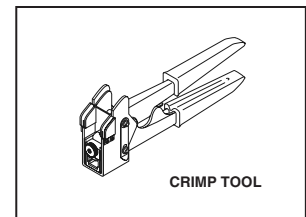
‡ Crimp tool only, Die must be purchased separately

Crimp Tools and Die Sets

Positions	Digi-Key Part No.	Price Each	Stewart Part No.
<b>Crimp Tool with Die Set</b>			
4	380-1055-ND	70.22	2990001-01
6	380-1056-ND	70.22	2990002-01
8	380-1057-ND	70.22	2990003-01
8	380-1134-ND	93.62	2990009-01
10	380-1058-ND	70.22	2990007-01
8	380-1132-ND	217.07	2980075-01
8	380-1133-ND‡	173.66	2940231-01

‡ Crimp tool only, Die must be purchased separately

Positions	Digi-Key Part No.	Price Each	Stewart Part No.
<b>Die Set Modular</b>			
4	380-1059-ND	21.52	2990004-01
6	380-1060-ND	21.52	2990005-01
8	380-1061-ND	21.52	2990006-01
8	380-1131-ND	35.33	2990010-01
10	380-1062-ND	21.52	2990008-01
8	380-1129-ND	158.56	2905029-01
8	380-1130-ND	158.56	2905014-01
8	380-1135-ND	206.88	2906253-01



CAT5e and CAT6 Jumpers

Available Through Digi-Key®

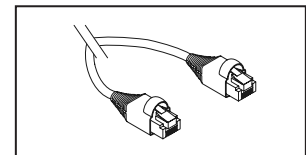
Enhanced CAT-5 Cords:

Enhanced patch cords built using high performance Stewart 37 Series plugs optimized for consistent, reliable performance in high speed networking applications.

CAT-6 Cords:

Patch cords built using high performance Stewart 39 Series plugs which are designed and manufactured to meet or exceed the current EIA/TIA CAT-6 specs.

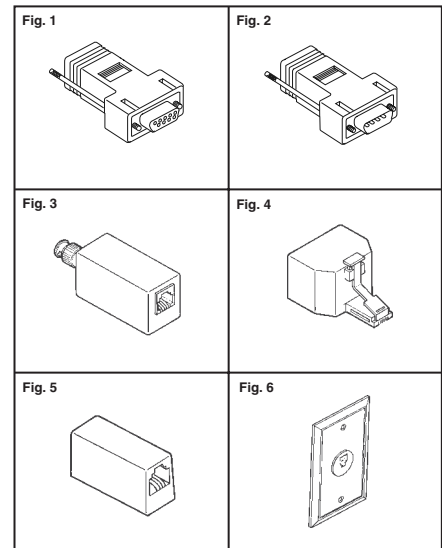
Description Ft. (Meter)	Digi-Key Part No.	Price Each
<b>CAT-5 — Enhanced</b>		
15' (4.572)	380-1072-ND	4.67
<b>CAT-6</b>		
15' (4.572)	380-1071-ND	7.25
25' (7.62)	380-1075-ND	19.40



CUI INC Modular Components

Fig.	Description	Digi-Key Part No.	1	Pricing 10	50	CUI Part No.
1	DB9S to RJ45 Jack (8-8)	046-0001-ND◆	3.00	26.96	119.79	AMK-0001
2	DB9P to RJ45 Jack (8-8)	046-0000-ND◆	3.00	26.96	119.79	AMK-0000
1	DB9S to RJ12 Jack (6-6)	046-0003-ND◆	3.00	26.96	119.79	AMK-0003
2	DB9P to RJ12 Jack (6-6)	046-0002-ND◆	3.00	26.96	119.79	AMK-0002
1	DB15S to RJ45 (8-8)	046-0005-ND◆	3.36	30.22	134.31	AMK-0005
2	DB15P to RJ45 (8-8)	046-0004-ND◆	3.36	30.22	134.31	AMK-0004
1	DB25S to RJ12 (6-6)	046-0009-ND*	3.18	28.59	127.05	AMK-0222
2	DB25P to RJ12 (6-6)	046-0008-ND◆	3.18	28.59	127.05	AMK-0221
1	DB25S to RJ45 (8-8)	046-0011-ND◆	3.18	28.59	127.05	AMK-0011
2	DB25P to RJ45 (8-8)	046-0010-ND◆	3.18	28.59	127.05	AMK-0223
1	DB15S to RJ12 (6-6)	046-0017-ND*	3.36	30.22	134.31	AMK-0017
2	DB15P to RJ12 (6-6)	046-0016-ND*	3.36	30.22	134.31	AMK-0016
3	BNC RJ12 Converter (6-6)	048-0000-ND	12.04	108.30	481.34	AMK-0013
4	4 Wire TEE Adapter 1M-2F	048-0050-ND	2.00	17.97	79.86	AMK-0026
	6 Wire TEE Adapter 1M-2F	048-0051-ND◆	2.94	26.46	117.61	AMK-0051
5	6-6 Modular Coupling (crossed) #1 to #6	048-0056-ND	1.66	14.87	66.07	AMK-0056
	6-6 Modular Coupling (straight) #1 to #1	048-0103-ND◆	1.66	14.87	66.07	AMK-0103
6	6 Wire Wall Plate (6-6)	048-0061-ND	1.96	17.64	78.41	AMK-0061
	8 Wire Wall Plate (8-8)	048-0062-ND	2.43	21.89	97.28	AMK-0062

\* User Configurable ◆ RoHS Compliant



Free shipping on orders over £50! All prices are in British pound sterling and include duties.

uk.digikey.com — FREEPHONE: 0-800-587-0991 • 0-800-904-7786 — FREEFAX: 0-800-587-0992 • 0-800-904-7783