

Four Position Data Connector for the IEEE 802.5 Local Area Network

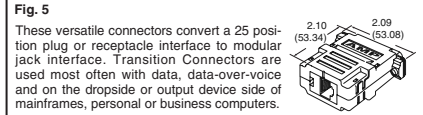
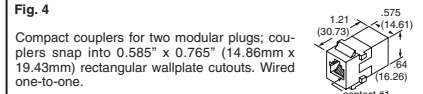
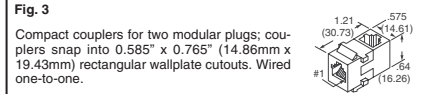
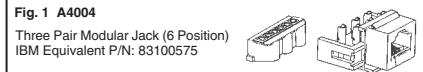
Kit Description: Connector (top and bottom cover assemblies), stuffer box, ferrule, dust cover, latch lock and strain relief bushings for 45, 90 and 180 degree cable exit

Cableless Balun Kit: A four position cableless balun kit is available which allows the customer to assemble his own electronic components which are required to convert the standard twisted-pair cable to unbalanced coaxial cables. This kit contains a single BNC jack receptacle but will accept a second BNC receptacle which can be ordered separately to provide the dual port version.

Material for A9105 and A9106: • Stuffer Cap: Clear polycarbonate • AMP-BARREL Terminal: Tin plated phosphor bronze • Label: Adhesive backed polyester • Contacts: Nickel plated high strength copper alloy having selective gold plating in contact area and selective tin plating in AMP-BARREL terminal area • Housing: Black thermoplastic, 94V-0 rated • Conductor Type: Solid or stranded having .048 maximum insulation O.D.

Fig.	No. of Pos.	Description	Digi-Key Part No.	Price Each		Tyco Electronics Part No.
				1	25	
Category 3 Modular Telephone Jack						
1	6	IBM	A4004-ND	3.78	3.25	553983-1
2	8	IBM	A4005-ND	4.28	3.69	554546-1
1	6	Commercial	A9105-ND	4.05	3.49	554171-1
2	8	Commercial	A9106-ND	4.21	3.63	554578-1
Category 3 Panel Mount Coupler — RoHS Compliant						
3	6	Right Angle	A9107-ND	3.27	2.62	555049-1
	8	Right Angle	A9108-ND	3.27	2.62	555051-1
4	6	In-Line	A9109-ND	3.22	2.57	555050-1
	8	In-Line	A9110-ND	3.63	2.91	555052-1
RS-232 to Modular Jack — RoHS Compliant						
5	6	DB25P to RJ11 (6-6)	A35055-ND	10.79	9.44	748100-2
	8	DB25P to RJ45 (8-8)	A33704-ND	16.77	13.98	747772-3
	8	DB25S to RJ45 (8-8)	A35053-ND	10.96	9.60	5-747868-1

◆ RoHS Compliant



Industrial Ethernet Connectors



Features: • Threaded outer connection • Environmental sealing (IP67 rated) • Vibration resistance • Secure, robust connections • Provides for a reliable performance in electrically noisy conditions found on most factory floors • Compatible with Category 5e cable • Fully interchangeable with unshielded product

Dimensions in Inches (mm)

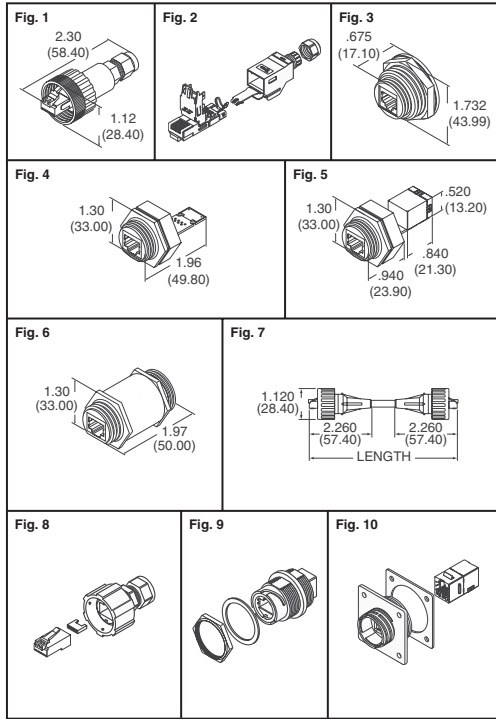


Fig.	Description	Digi-Key Part No.	Price Each			Tyco Electronics Part No.
			1	25	100	
Plug						
1	Field-Attachable, 0.1-0.26" (2.5-6.5mm) Acceptable Cable Diameter	A30691-ND	13.55	12.56	9.72	1546440-1
2	IP20 RJ-45, 4 Position, 180 Degrees	A98811-ND	12.70	11.50	8.15	1903526-1
	IP20 RJ-45, 8 Position, 180 Degrees	A98812-ND	13.26	12.01	8.51	1903527-1
Receptacles						
3	Direct PCB Mount 8 Pin, Front-Coupling Through-Hole Receptacle	A34351-ND	21.06	19.52	15.11	1-1546405-1
4	Receptacle with Standard PC Board (10 Base-T) with Standard PC Board and 12" (30cm) of Cable (568A) with Standard PC Board with 12" (30cm) of Cable (568B) with Standard PC Board with 12" (30cm) of Cable	A34355-ND	23.26	21.56	16.69	1-1546409-1
	A34356-ND	26.30	24.38	18.86	1-1546410-1	
	A34357-ND	26.30	24.38	18.86	1-1546411-1	
	A34358-ND	35.04	32.48	25.13	1-1546412-1	
5	RJ-45 Bulkhead Passthrough with Backside RJ-45 Jack	A33706-ND	23.53	21.81	16.88	1546413-3
	RJ-45 Bulkhead Passthrough with 12" (30cm) of Patch Cord	A33707-ND	26.36	24.43	18.91	1546414-4
	RJ-11 Bulkhead Passthrough with Backside RJ-11 Jack	A34359-ND	25.20	23.36	18.07	1-1546415-1
Female-to-Female Adapters						
6	Female-Female RJ45 Jack-Jack	A30690-ND	48.46	44.92	34.75	1546574-1
Double-Ended Cord Set						
7	1 Meter (3.3') Solid Core Cable, Industrial (both ends)	A34360-ND	53.78	47.06	40.34	1-1546451-1
	5 Meter (16.4') Solid Core Cable, Industrial (both ends)	A34361-ND	72.75	63.66	54.56	1-1546451-2
	10 Meter (32.8') Solid Core Cable, Industrial (both ends)	A34362-ND	105.85	92.62	79.39	1-1546451-3
	2 Meter (6.6') Solid Core Cable, Industrial/Commercial Ends	A34363-ND	69.51	60.82	52.14	1-1546451-4
	2 Meter (6.6') Stranded Cable, Industrial (both ends)	A34366-ND	64.85	56.75	48.64	1-1546453-1
5 Meter (16.4') Stranded Cable, Industrial (both ends)	A34367-ND	72.75	63.66	54.56	1-1546453-2	
Caps						
—	Connector Closure Cap IP67 with Lanyard	A34352-ND	11.06	10.25	7.93	1-1546406-1
	Connector Receptacle Cap IP65	A34353-ND	7.57	7.03	5.44	1-1546407-1
	Connector Plug Cap IP67 with Lanyard	A34354-ND	13.38	12.41	9.60	1-1546408-1
Tool						
—	Punchdown, with 110 Blade	A30681-ND	35.94	—	—	1738607-1
Plug Kit						
8	RJ-45 Solid Plug Kit	A31778-ND†	7.84	7.27	5.63	1738607-1
	RJ-45 Stranded Plug Kit	A31779-ND†	7.84	7.27	5.63	1738607-2
	RJ-45 Shielded CPC, Solid Plug Kit	A98813-ND‡	7.37	6.83	5.29	1546907-1
	RJ-45 Shielded CPC, Stranded Plug Kit	A98814-ND‡	7.47	6.93	5.36	1546907-2
	RJ-45 Unshielded CPC, Solid Plug Kit	A98820-ND‡	6.76	6.27	4.85	1546876-1
	RJ-45 Unshielded CPC, Stranded Plug Kit	A98815-ND‡	6.76	6.27	4.85	1546876-2
	Receptacle Kit					
9	RJ-45 Receptacle Kit	A31781-ND	15.89	14.74	11.40	1738601-1
	RJ-45 Receptacle Cover	A31780-ND	6.25	5.80	4.49	1738611-1
10	RJ-45 Shielded CPC, Receptacle Kit, Passthrough	A98816-ND	22.61	20.96	16.22	1986172-1
	RJ-45 Shielded CPC, Receptacle Kit	A98817-ND	12.95	12.01	9.29	1546908-1
	RJ-45 Unshielded CPC, Receptacle Kit, Passthrough	A98818-ND	16.27	15.08	11.67	1776186-1
	RJ-45 Unshielded CPC, Receptacle Kit	A98819-ND	13.51	12.53	9.70	1546877-1

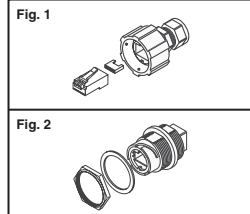
† Mates with Figure 9 ‡ Mates with Figure 10

IP67 Sealed Industrial Ethernet Circular RJ45 Connector System



Electrical Specifications: • Meets EIA/TIA-568-B.2 Cat. 5e Specification • IR: 500MΩ minimum @ 100 VDC • DWV: 1000 VDC/60s Contact to Contact • DWV: 1500 VDC/60s Contact to Metal Shell • Contact Resistance: 20mΩ maximum • Current Rating: 1.5A maximum • Working Voltage: 100 V • Operating Temperature: -40°C ~ 85°C

Fig.	Description	Digi-Key Part No.	Price Each					Conec Part No.
			1	10	100	500	1,000	
1	Shielded 8 Position Cat. 5e RJ45 Plug, Load Bar and Plug Housing Assembly	626-1294-ND	4.72	3.50	2.89	2.65	2.55	17-10001
2	Receptacle Assembly, Panel Gasket, Panel Nut and Protective Cover Assembly	626-1293-ND	10.96	9.32	7.82	7.27	6.99	17-10000
—	Tool Termination	626-1295-ND	27.57	22.62	19.79	18.03	17.67	360X30029X



Free shipping on orders over £50! All prices are in British pound sterling and include duties.
282 (UK091) uk.digikey.com — FREEPHONE: 0-800-587-0991 • 0-800-904-7786 — FREEFAX: 0-800-587-0992 • 0-800-904-7783