

1mm Standard Edge Connectors have been developed specifically to meet the interconnection requirements for the latest technological advances in personal computers. These include Intel's Pentium II™ processor (Slot 1), Accelerated Graphics Port (AGP), and the new NLX Form Factor motherboard.

FEATURES:

- 1mm contact spacing compatible with latest interconnection technology for Slot 1, AGP and NLX
 - High temperature housings suitable for surface mount reflow processes
 - Pivoting board lock feature offering connector centering before contacts enter PC board holes
 - Certified by Canadian Standards Association to Canadian and United States Requirements
 - Produced under a Quality Management System certified to ISO 9001
- PERFORMANCE CHARACTERISTICS:** • **Operating Temperature:** 0°C – 85°C • **Voltage:** 250VAC • **Characteristic Impedance:** 35-20-80Ω • **Termination Resistance:** 20mΩ maximum (initial) • **Insulation Resistance:** 1000MΩ minimum • **Dielectric Withstanding Voltage:** 400VAC @ sea level • **Durability:** 50 cycles minimum • **Engaging Force:** 3.3 oz. (.917 N) maximum average per contact pair • **Separating Force:** 1.98 – .35 oz. (.550 – .097N) per contact pair

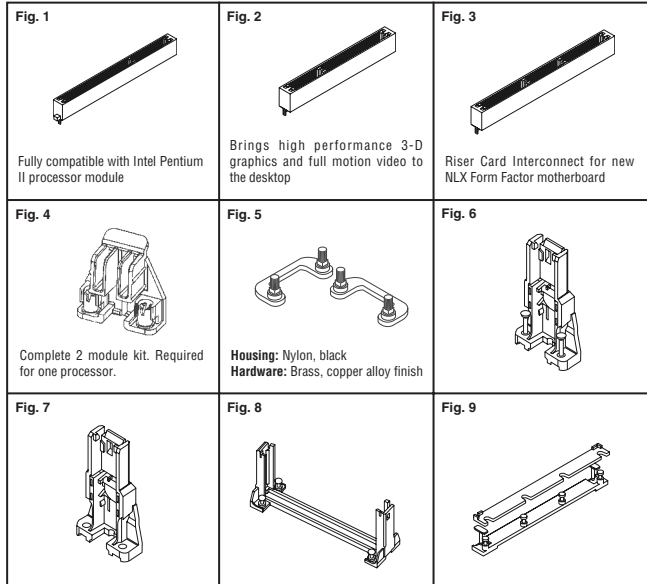


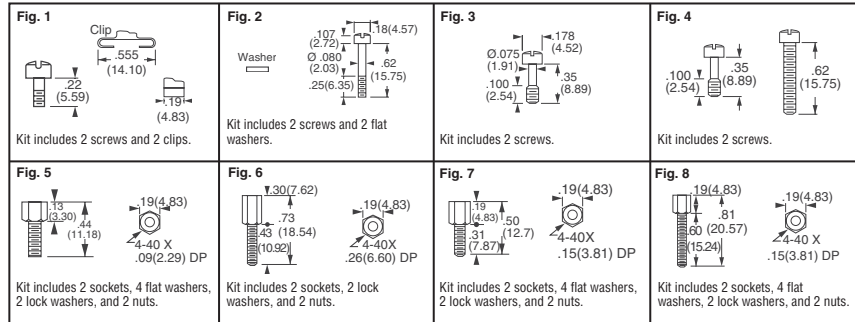
Fig.	Description	Solder Tail Length	Digi-Key Part No.	Price Each 1	25	AMP Part No.
1mm Standard Edge Connector						
1	242 Position Slot 1 Connector for Pentium II and Celeron Processors	.100 (2.54)	A15102-ND A33649-ND	6.05	4.84	145251-2 5145251-2
2	124 Position AGP (Accelerated Graphics Port)	.085 (2.16)	A15103-ND	4.14	3.32	145263-1
	124 Position AGP (Accelerated Graphics Port) Connector for AGP Card	.085 (2.16)	A33650-ND	3.72	2.98	5145263-1
	Connector for AGP Card	.100 (2.54)	A15104-ND	3.87	3.10	145263-2
	Connector for AGP Card	.100 (2.54)	A33651-ND	3.51	2.81	5145263-2
3	340 Position NLX Riser Card Interconnect	.100 (2.54)	A15106-ND A33652-ND	9.06	7.25	145275-2 5145275-2
Celeron Retention Modules — RoHS Compliant						
4	Module Kit with Captive Brass Fasteners, 2 pieces (Use with 145312-1 Bridge/Stud Assembly)		A15108-ND	9.86	7.89	145342-1
5	Bridge/Stud Assembly for #145342-1. One Bridge/Stud Assembly Required for Each Retention Module		A15109-ND	2.93	2.34	145312-1
Universal Retention Modules (URM) — RoHS Compliant						
6	URM with Straight Pin Plastic Fasteners. Compatible with .159" (4.04mm) Holes, 2 pieces		A15115-ND	2.58	2.07	145417-2
7	URM with Clearance Hole for #6 Screw. Customer Supplies Fastener Hardware, 2 pieces		A15117-ND	1.76	1.41	145419-2
Integrated Retention Modules — RoHS Compliant						
8	Pentium II Retention Module with Fastex Plastic Fasteners		A15113-ND	5.07	4.06	145327-1
	Pentium II Retention Module with Slotted, Captive Nuts		A15118-ND	4.49	3.59	145286-1
Heat Sink Support Kit — RoHS Compliant						
9	Heat Sink Support Base with Plastic Fasteners for use with Integrated Retention Module #145327-1		A15114-ND	5.72	4.58	145308-1

♦ RoHS Compliant

3M D-Sub Mounting Hardware



Fig.	Description	Digi-Key Part No.	Price Each 1	100	500	3M Part No.
1	Jack Screw Kit	MDVS22-ND	.80	.61	.56	3342-1
2	Jack Screw Kit	MDVS62-ND	.95	.73	.66	3342-2
3	Jack Screw Kit	MDVS35-ND	.63	.49	.44	3342-4
4	Screw Mount Kit	MDSMK1-ND	.68	.52	.47	3342-3
5	Jack Socket Kit	MDVS44-ND	1.34	1.03	.93	3341-1S
6	Jack Socket Kit	MDVS73-ND	1.22	.93	.85	3341-2
7	Jack Socket Kit	MDVS50-ND	1.34	1.03	.93	3341-1L
8	Jack Socket Kit	MDVS81-ND	1.40	1.07	.97	3341-4



KEYSTONE

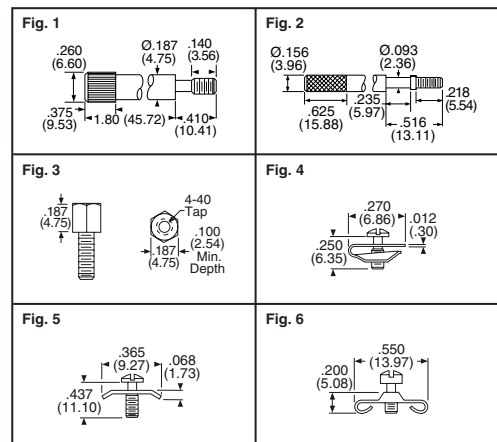
Connector Hardware

Material: Steel, Zinc Plate and Gold Iridite. Threads: 4-40



Fig.	Description	Digi-Key Part No.	Price Each 1	5	50	Keystone Part No.
1	Jack Screws 4/40 thread, (1 pkg. = 2 screws) 2 pc. required per connector	2073K-ND	4.68	4.09	3.80	2073
2	Jack Screws 4/40 thd. slim line, 1.25", (1 pkg. = 2 screws) 2 pc. required per connector	2069K-ND	4.51	4.06	2.94	2069
2	Jack Screws 4/40 thd. slim line, 1.75", (1 pkg. = 2 screws) 2 pc. required per connector	2071K-ND	3.80	3.32	3.09	2071
3	Jack Screws 4/40 x .250" (1 pkg. = 2 screws) 2 pc. required per connector	7228K-ND	.54	.48	.45	7228
3	Jack Screws 4/40 x .250" (1 pkg. = 2 screws) 2 pc. required per connector	7228-5K-ND†	.54	.48	.45	7228-5
3	Jack Screws 4/40 x .312" (1 pkg. = 2 screws) 2 pc. required per connector	7230K-ND	.46	.41	.34	7230
3	Jack Screws 4/40 x .312" (1 pkg. = 2 screws) 2 pc. required per connector	7230-5K-ND†	.46	.41	.34	7230-5
3	Jack Screws 4/40 x .625" (1 pkg. = 2 screws) 2 pc. required per connector	7232K-ND	1.10	.97	.90	7232
3	Jack Screws 4/40 x .625" (1 pkg. = 2 screws) 2 pc. required per connector	7232-5K-ND†	1.10	.97	.90	7232-5
3	Jack Screws 4/40 x .250" (10 pcs. = 4 flat washers, 2 lock washers, 2 nuts, 2 jack screws)	7229K-ND	.89	.80	.76	7229
3	Jack Screws 4/40 x .250" (10 pcs. = 4 flat washers, 2 lock washers, 2 nuts, 2 jack screws)	7229-5K-ND†	.70	.62	.58	7229-5
3	Jack Screws 4/40 x .312" (10 pcs. = 4 flat washers, 2 lock washers, 2 nuts, 2 jack screws)	7231K-ND	.57	.51	.47	7231
3	Jack Screws 4/40 x .312" (10 pcs. = 4 flat washers, 2 lock washers, 2 nuts, 2 jack screws)	7231-5K-ND†	.57	.51	.47	7231-5
3	Jack Screws 4/40 x .625" (10 pcs. = 4 flat washes, 2 lock washers, 2 nuts, 2 jack screws)	7233K-ND	1.27	1.11	1.03	7233
3	Jack Screws 4/40 x .625" (10 pcs. = 4 flat washes, 2 lock washers, 2 nuts, 2 jack screws)	7233-5K-ND†	1.27	1.11	1.03	7233-5
3	Sems jack screw .285" L 4-40 thread, (1 pkg. = 2 screws) 2 pc. required per connector	7235K-ND	.57	.50	.47	7235
4	"U" Clip Set (4 pieces = 2 screws and 2 clips)	2062K-ND	.69	.61	.57	2062
5	Saddle Washer Set (4 pieces = 2 screws and 2 clips)	2063K-ND	.78	.68	.64	2063
6	4/40 x .250" Bow Tie Clip Set (4 pieces = 2 screws and 2 clips)	2060K-ND	.86	.76	.71	2060
6	4/40 x .562" Bow Tie Clip Set (4 pieces = 2 screws and 2 clips)	2061K-ND	.95	.83	.78	2061

† Clear Chromate



Free shipping on orders over £50! All prices are in British pound sterling and include duties.

uk.digikey.com — FREEPHONE: 0-800-587-0991 • 0-800-904-7786 — FREEFAX: 0-800-587-0992 • 0-800-904-7783