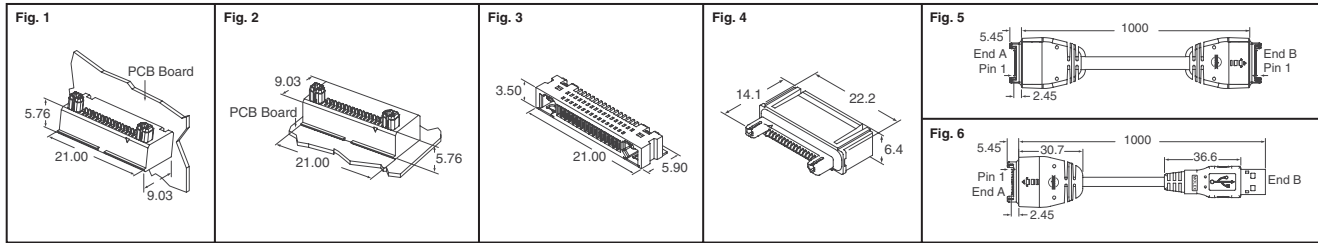


Dimensions in mm



A

Molex's 0.80mm (.031") pitch HandyLink product family of connectors offers a perfect solution to any hand-held device design or application.

The HandyLink family includes a right-angle SMT receptacle, PCB plug and perpendicular and parallel mounted cradle connectors for docking applications.

Fig.	Description	Digi-Key Part No.	Price Each					Digi-Key Part No.	Tape and Reel		Molex Part No.
			1	10	25	50	100		Qty.	Pricing	
1	Plug, 16 Pos., Rt. Angle, SMT Cradle	WM17129CT-ND†	2.73	2.57	—	2.42	2.34	WM17129TR-ND	290	609.69	45560-0161
2	Plug, 16 Pos., Vertical, SMT Cradle	WM17128CT-ND†	3.79	3.57	—	3.36	3.26	WM17128TR-ND	290	609.69	45560-0160
3	Receptacle, 16 Pos., Rt. Angle, SMT	WM17127CT-ND†	1.93	1.82	—	1.71	1.66	WM17127TR-ND	1,000	1046.07	44828-1162
4	Plug, 16 Pos., Vert., PCB Termination	WM17126-ND	2.83	2.68	—	2.52	2.43	—	—	—	45593-1600
5	Cable Assembly, 16 Pos., Male - Male	WM17124-ND	13.63	12.86	12.47	—	11.69	—	—	—	36697-0001
6	Cable Assembly, HandyLink to USB	WM17125-ND	6.42	6.06	5.88	—	5.51	—	—	—	36697-0021

DD1 and DD2 Series 0.5mm Connectors

DD1 Series Specifications: • Rated Current: Signal: 0.5A, Power: 1.0A • Rated Voltage: 30VACr.m.s. • Dielectric Withstanding Voltage: 500DCV per minute • Insulation Resistance: 1000MΩ minimum (Initial) • Contact Resistance: 50mΩ maximum (Initial) • Operating Temperature: -25°C - 75°C **Materials and Finishes:** Contact: Copper Alloy/Contact: Gold plating over Nickel; Terminal: Gold flash plating over Nickel • Insulator: Glass filled nylon resin • Shell: Stainless steel/Tin plating over Nickel

DD2 Series Specifications: • Rated Current: Signal: 0.5A, Power 1.0A • Rated Voltage: 30VACr.m.s. • Dielectric Withstanding Voltage: 300VACr.m.s. per minute • Insulation Resistance: 1000MΩ minimum (Initial) • Contact Resistance: 50mΩ maximum (Initial) • Operating Temperature: -25°C - 75°C • Durability Mating Cycles: 10,000 times **Materials and Finishes:** • Contact: Copper Alloy/Contact: Gold plating over Nickel, Terminal: Tin plating over Nickel • Insulator: Glass filled nylon resin • Shell: Stainless Steel/Main frame: Nickel plating, Through-hole: Tin plating over Nickel

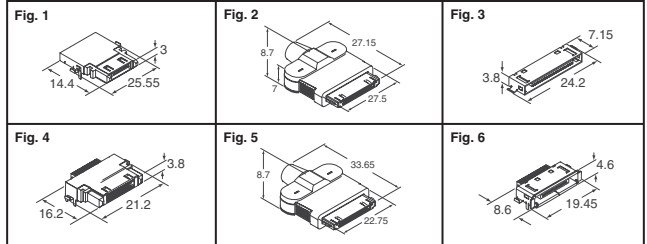


Fig.	Description	Digi-Key Part No.	Cut Tape Price Each			Tape and Reel† Qty.	Tape and Reel† Pricing	JAE Part No.
			1	25	100			
DD1 Series — 30 Positions								
1	Cradle	670-1020-1-ND	3.64	2.13	1.94	500	878.45	DD1B030HA1R500
2	Plug	670-1021-ND†	5.29	3.60	3.17	—	—	DD1P030MA1
3	Receptacle	670-1022-1-ND	6.34	1.95	1.79	1,300	1559.43/M	DD1R030HA1R1300
DD2 Series — 40 Positions								
4	Cradle	670-1023-1-ND	4.62	3.15	2.78	500	1294.89	DD2B040HA2R500
5	Plug	670-1024-ND†	8.55	5.82	5.13	—	—	DD2P040MA1
6	Receptacle	670-1025-1-ND	4.82	3.28	2.90	1,000	2565.74	DD2R040HP2R1000

† Bulk ‡ For Tape and Reel part number, change 1-ND to 2-ND.

DA1 Series 0.6mm Connectors

Low profile surface mount interface connectors for use in compact and slim mobile information terminal devices such as PDAs, HPCs, and notebook PCs. **Specifications:** • Current: Signal: 0.5A, Power 1.0A • Dielectric Withstanding Voltage: 250VACr.m.s. per minute • Insulation Resistance: 100MΩ minimum • Contact Resistance: 50mΩ maximum • Operating Temperature: -25°C - 75°C • Applicable Wire Size: AWG #28 maximum **Materials and Finishes:** • Insulator: Receptacle and Cradle: Plus Nylon (UL 94V-0, Black); Plug: Nylon • Contact: Copper Alloy, Gold plating over Lead-Nickel • Lead Contact: Tin • Shell: Steel, Nickel Plating

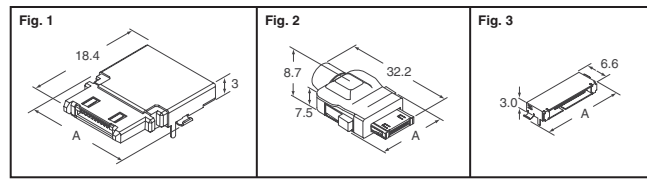


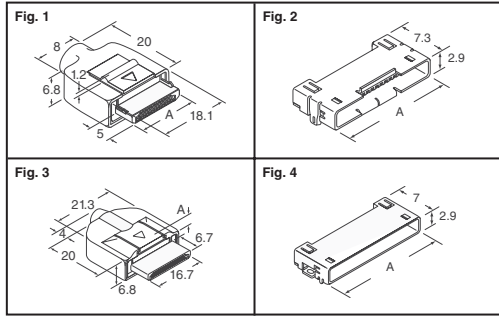
Fig.	No. of Pos.	Dim. A (mm)	Description	Digi-Key Part No.	Price Each			JAE Part No.
					1	25	100	
1	10	16.2	Cradle, Right Angle With Hold Down	670-1005-ND	2.81	1.64	1.50	DA1B010H91E
	26	26.95	Cradle, Right Angle With Hold Down	670-1009-1-ND†	5.30	3.01	2.83	DA1B026H91EE500
			Cradle, Right Angle With Hold Down	670-1009-2-ND‡	1235.94/500			DA1B026H91EE500
2	10	17.2	Cable Plug	670-1010-ND	4.86	2.76	2.60	DA1P010M94E
			Cable Plug	670-1011-ND	4.86	2.76	2.60	DA1P010M95E
	18	21.0	Cable Plug	670-1012-ND	5.14	2.92	2.75	DA1P018M91E
			Cable Plug	670-1013-ND	5.14	2.92	2.75	DA1P018M92E
	26	27.0	Cable Plug	670-1014-ND	4.92	3.35	2.96	DA1P026M92E
			Cable Plug	670-1015-ND	4.92	3.35	2.96	DA1P026M92E
3	10	17.7	Receptacle, Right Angle With Hold Down	670-1017-ND	2.54	1.53	1.36	DA1R010H91E
			Receptacle, Right Angle With Hold Down	670-1018-ND	2.80	1.64	1.50	DA1R018H91E
	26	32.6	Receptacle, Right Angle Without Hold Down	670-1019-ND	3.57	2.09	1.91	DA1R026L91E
—	—	—	Tool for DA1 Series	670-1188-ND	626.36	—	—	CT150-6-RH07

† Cut Tape ‡ Tape and Reel

RL01 and RL01S Series 0.8mm Connectors

Specifications: • Current Rating: 0.5A • Dielectric Withstanding Voltage: 250 VACr.m.s. per minute • Insulation Resistance: 100MΩ minimum • Contact Resistance: 50mΩ maximum • Operating Temperature: -25°C - 75°C • Applicable PCB Thickness: 1.0mm • Applicable Wire Size: AWG #25 - #30 (max.) **Materials and Finishes:** Receptacle: • Shell: Stainless Steel • Contact: Copper Alloy; Connecting Area: Gold Plating over Palladium over Nickel; Terminal Area: Gold Flash PPS • Insulator: (UL 94V-0) Black Plug: • Backshell: Stainless Steel • Contact: Copper Alloy; Connecting Area: Gold Plating over Palladium over Nickel; Terminal Area: Gold Flash PPS • Insulator: Glass-filled Nylon (UL 94V-0, Black) • Hood: Polycarbonate • Clamp Barrel: Copper Alloy Nickel Plated

Fig.	Number of Positions	Dimension A (mm)	Digi-Key Part No.	Price Each			JAE Part No.
				1	25	100	
RL01 Series							
1	12	14.1	670-1098-ND	4.09	2.39	2.19	RL01-P12S-C4E
			670-1099-ND	4.09	2.39	2.19	RL01-P12S-C5E
	14	15.7	670-1100-ND	4.25	2.48	2.27	RL01-P14S-C4E
670-1101-ND			4.25	2.48	2.27	RL01-P14S-C5E	
2	12	16.75	670-1102-ND	2.08	1.20	1.02	RL01-R12PE
			670-1103-ND	2.24	1.28	1.09	RL01-R14PE
RL01S Series							
3	16	1.4	670-1104-ND	4.46	2.54	2.39	RL01S-P16S-C36BE
			670-1105-ND	4.46	2.54	2.39	RL01S-P16S-C36GE
			670-1106-ND	4.33	2.53	2.32	RL01S-P16S-C4E
			670-1107-ND	4.33	2.53	2.32	RL01S-P16S-C5E
			670-1108-ND	2.39	1.37	1.17	RL01S-R16P-HE
4	16	18.5	670-1109-ND	2.39	1.37	1.17	RL01S-R16P-SE



Digi-Reel® Most SMT cutdown parts are available on a Digi-Reel®. For Digi-Reel part number, change 1-ND to 6-ND or CT-ND to DKR-ND. See Digi-Key® Services on page 2 for additional information.

Free shipping on orders over £50! All prices are in British pound sterling and include duties.

uk.digikey.com — FREEPHONE: 0-800-587-0991 • 0-800-904-7786 — FREEFAX: 0-800-587-0992 • 0-800-904-7783